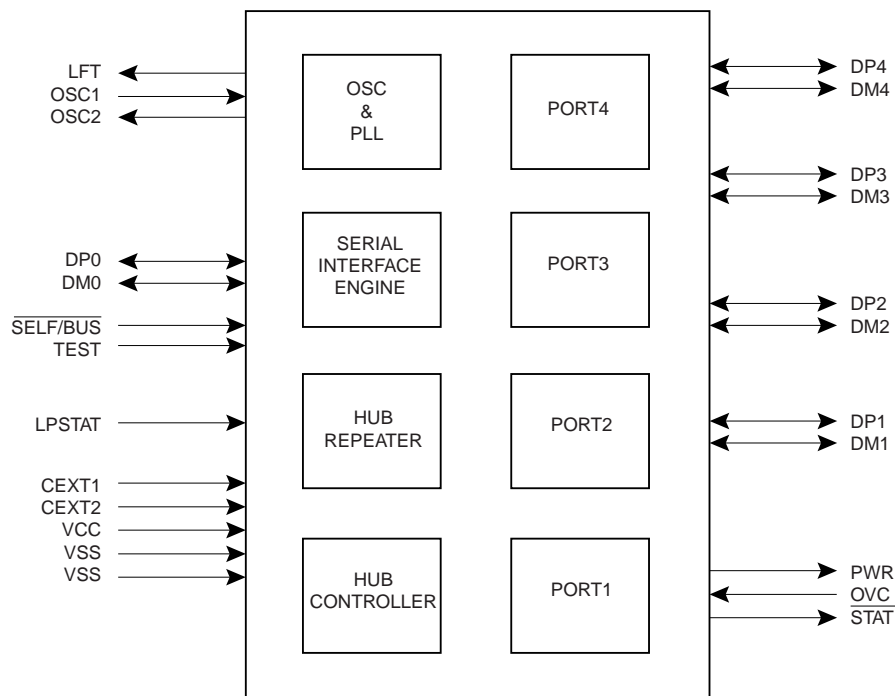


AT43301 Low Cost

USB HUB CONTROLLER

- Bus or Self Powered USB Hub Operation
- Bus Powered Controller in the Self Powered Mode
- One Upstream Port Plus Four Downstream Ports
- Integrated Hub Protocol Controller
- Global Over-Current Sensing
- Ganged Port Power Switching
- 6 MHz Oscillator with PLL
- On Chip 3.3V Voltage Regulator
- 24-Pin SOIC





**USB Hub
Product Group**

Atmel Rousset
Zone Industrielle
13106 Rousset Cedex
France
Tel: (+33)(0)4 42 53 60 00
Fax: (+33)(0)4 42 53 60 01

Headquarters

Corporate Headquarters
2325 Orchard Parkway
San Jose, CA 95131
USA
Tel: (+1)(408) 441 0311
Fax: (+1)(408) 436 4300

Europe
Atmel U.K. Ltd
Coliseum Business Centre
Riverside Way, Camberley
Surrey GU15 3YL, England
Tel: (+44)(0)(1276) 68 66 77
Fax: (+44)(0)(1276) 68 66 97

Asia
Atmel Asia Ltd
Room 1219
Chinachem Golden Plaza
77 Mody Road
Tsimshatsui East, Kowloon
Hong Kong
Tel: (+852) 272 19 778
Fax: (+852) 272 21 369

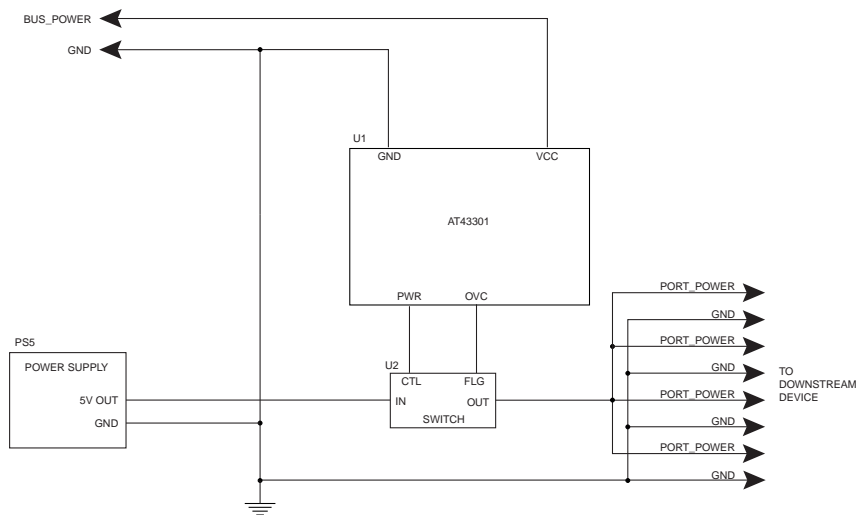
Japan
Atmel Japan KK
Tonetsu Shinkawa Bldg. 9F
1-24-8 Shinkawa
Chuo-Ku, Tokyo 104-0033
Japan
Tel: (+81) 3 3523 3551
Fax: (+81) 3 3523 7581

E-mail
literature@atmel.com

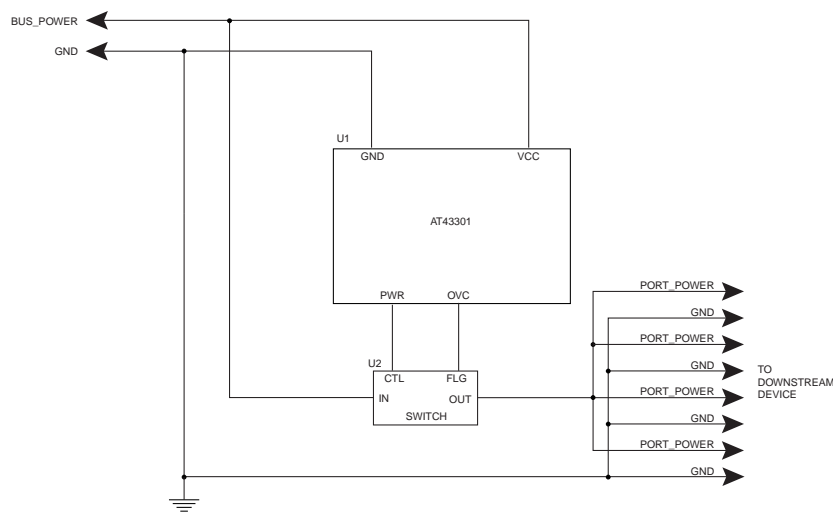
Web Site
<http://www.atmel.com>

The Atmel AT43301 USB Hub Controller is designed for use in very, low cost self powered or bus powered USB hubs. Application for such hubs are as a standalone hub for use with portable/notebook PCs, as well as an embedded hub in peripherals such as keyboards. The AT43301 supports one upstream port and four downstream ports. It handles all the hub protocols, thus off-loading the user from the details of the USB operations. The chip is USB Spec Rev 1.1 compliant and is available in a 24-pin SOIC Package.

AT43301 in a Self Powered Hub



AT43301 in a Bus Powered Hub



Copyright Atmel Corporation 1998

Terms and product names may be trademarks of others. All figures in this brochure are for illustrative purposes only. See Atmel Databooks for definitive figures. 03/98 - 1060A