

### Model name

# PC6-24-5

Series name    Output power    Input voltage    Output voltage

### Features

- Input/Output isolation
- 5 dimensions shield metal case
- Over current protection
- Adjustable output voltage
- Remote ON/OFF control (6W type)

### PC1R5 (1.5W type) Specifications

Model	PC1R5 -5-3.3	PC1R5 -5-5	PC1R5 -5-12	PC1R5 -12-3.3	PC1R5 -12-5	PC1R5 -12-12	PC1R5 -24-3.3	PC1R5 -24-5	PC1R5 -24-12	PC1R5 -48-3.3	PC1R5 -48-5	PC1R5 -48-12
<b>Input Voltage</b>	5VDC (4.5 ~ 9.0V)			12VDC (9 ~ 18V)			24VDC (18 ~ 36V)			48VDC (36 ~ 72V)		
<b>Output Voltage (*1)</b>	Vdc 3.3V±5%	5V±5%	12V±5% (15V±5%)	3.3V±5%	5V±5%	12V±5% (15V±5%)	3.3V±5%	5V±5%	12V±5% (15V±5%)	3.3V±5%	5V±5%	12V±5% (15V±5%)
<b>Output Current</b>	mA 0 ~ 400	0 ~ 300	0 ~ 125 (0 ~ 100)	0 ~ 400	0 ~ 300	0 ~ 125 (0 ~ 100)	0 ~ 400	0 ~ 300	0 ~ 125 (0 ~ 100)	0 ~ 400	0 ~ 300	0 ~ 125 (0 ~ 100)
<b>Output Power (max)</b>	W 1.32	1.5	1.5	1.32	1.5	1.5	1.32	1.5	1.5	1.32	1.5	1.5
<b>Efficiency (typ) (*2)</b>	% 66	69	71 (70)	70	73	75 (73)	70	75	76 (75)	70	73	76 (75)

### PC3 (3W type) Specifications

Model	PC3 -5-3.3	PC3 -5-5	PC3 -5-12	PC3 -12-3.3	PC3 -12-5	PC3 -12-12	PC3 -24-3.3	PC3 -24-5	PC3 -24-12	PC3 -48-3.3	PC3 -48-5	PC3 -48-12
<b>Input Voltage</b>	5VDC (4.5 ~ 9.0V)			12VDC (9 ~ 18V)			24VDC (18 ~ 36V)			48VDC (36 ~ 72V)		
<b>Output Voltage (*1)</b>	Vdc 3.3V±5%	5V±5%	12V±5% (15V±5%)	3.3V±5%	5V±5%	12V±5% (15V±5%)	3.3V±5%	5V±5%	12V±5% (15V±5%)	3.3V±5%	5V±5%	12V±5% (15V±5%)
<b>Output Current</b>	mA 0 ~ 600	0 ~ 600	0 ~ 250 (0 ~ 200)	0 ~ 600	0 ~ 600	0 ~ 250 (0 ~ 200)	0 ~ 600	0 ~ 600	0 ~ 250 (0 ~ 200)	0 ~ 600	0 ~ 600	0 ~ 250 (0 ~ 200)
<b>Output Power (max)</b>	W 1.98	3.0	3.0	1.98	3.0	3.0	1.98	3.0	3.0	1.98	3.0	3.0
<b>Efficiency (typ) (*2)</b>	% 65	70	72 (72)	70	75	77 (77)	70	75	78 (78)	70	75	79 (79)

### PC6 (6W type) Specifications

Model	PC6 -5-3.3	PC6 -5-5	PC6 -5-12	PC6 -12-3.3	PC6 -12-5	PC6 -12-12	PC6 -24-3.3	PC6 -24-5	PC6 -24-12	PC6 -48-3.3	PC6 -48-5	PC6 -48-12
<b>Input Voltage</b>	5VDC (4.5 ~ 9.0V)			12VDC (9 ~ 18V)			24VDC (18 ~ 36V)			48VDC (36 ~ 72V)		
<b>Output Voltage (*1)</b>	Vdc 3.3V±5%	5V±5%	12V±5% (15V±5%)	3.3V±5%	5V±5%	12V±5% (15V±5%)	3.3V±5%	5V±5%	12V±5% (15V±5%)	3.3V±5%	5V±5%	12V±5% (15V±5%)
<b>Output Current</b>	mA 0 ~ 1200	0 ~ 1000	0 ~ 500 (0 ~ 400)	0 ~ 1500	0 ~ 1200	0 ~ 500 (0 ~ 400)	0 ~ 1500	0 ~ 1200	0 ~ 500 (0 ~ 400)	0 ~ 1500	0 ~ 1200	0 ~ 500 (0 ~ 400)
<b>Output Power (max)</b>	W 3.96	6.0	6.0	4.95	6.0	6.0	4.95	6.0	6.0	4.95	6.0	6.0
<b>Efficiency (typ) (*2)</b>	% 70	74	78 (78)	73	77	84 (84)	77	82	84 (84)	77	82	85 (85)
<b>Remote ON/OFF control</b>	— Possible (CNT terminal)											

### Common specifications

<b>Withstand Voltage</b>	Input to Output: 500VAC for 1 minute
<b>Cooling</b>	Convection cooling
<b>Operating Temperature</b>	-20 ~ +70°C (-20 ~ +50°C: 100%, +60°C: 70%, +70°C: 40%)
<b>Over Current Protection</b>	Output current limiting, automatic recovery. Avoid to operate overload or dead short for more than 30 seconds.
<b>Input Protection</b>	Built in Fuse on input line

(\*1) Measured at the maximum output power with rated input voltage (5VDC, 12VDC, 24VDC, 48VDC)

(\*2) At rated input voltage & maximum output power.

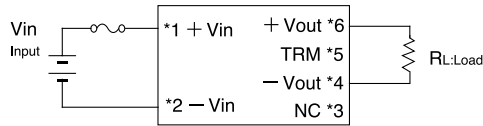
## Terminal connection

### [PC1R5 (1.5W type) / PC3 (3W type)]

Output voltage can be adjustable by TRM terminal.

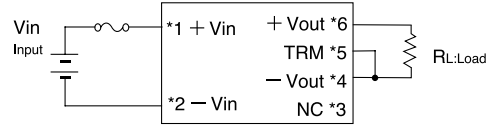
Output power must be within the rating, when increasing the output voltage.

\*1 TRM terminal: Open



Type	3.3V type	5V type	12V type
Output voltage	3.3V	5V	12V

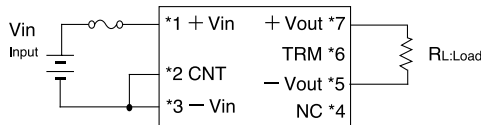
\*2 TRM terminal & -Vout terminal: Short



Type	3.3V type	5V type	12V type
Output voltage	3.67V	6V	15V

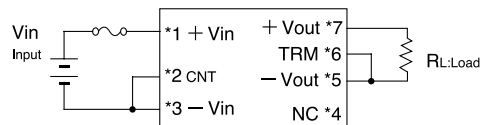
### [PC6 (6W type)]

\*1 TRM terminal: Open



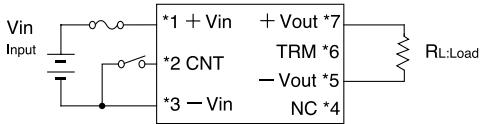
Type	3.3V type	5V type	12V type
Output voltage	3.3V	5V	12V

\*2 TRM terminal & -Vout terminal: Short



Type	3.3V type	5V type	12V type
Output voltage	3.67V	6V	15V

\*3 CNT terminal: Remote ON/OFF control

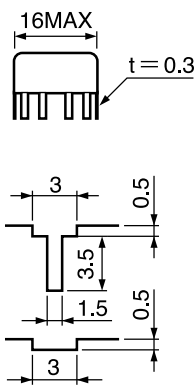
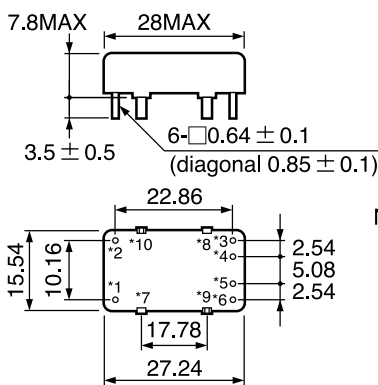


CNT terminal	Output
CNT --Vin: Short or 0 ~ 0.4V	ON
CNT --Vin: Open or 2V ~ Vin	OFF

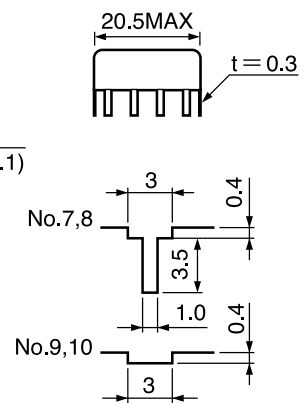
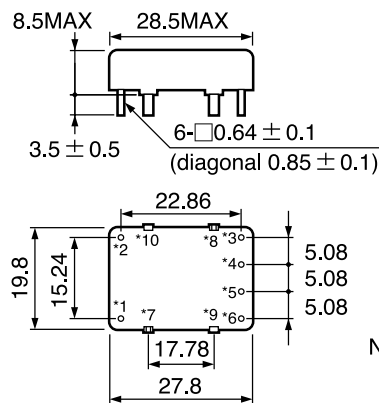
\* Output voltage: Refer to TRM terminal connection

## Outline drawing

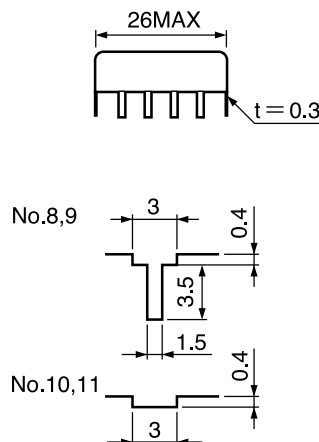
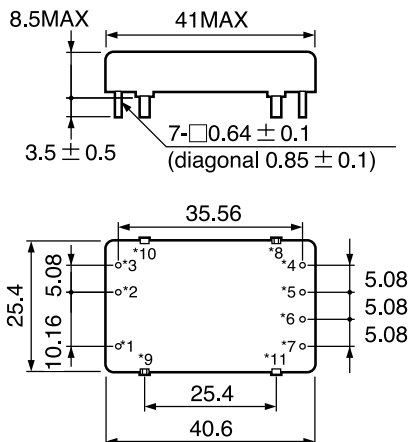
### • PC1R5 (1.5W type)



### • PC3 (3W type)

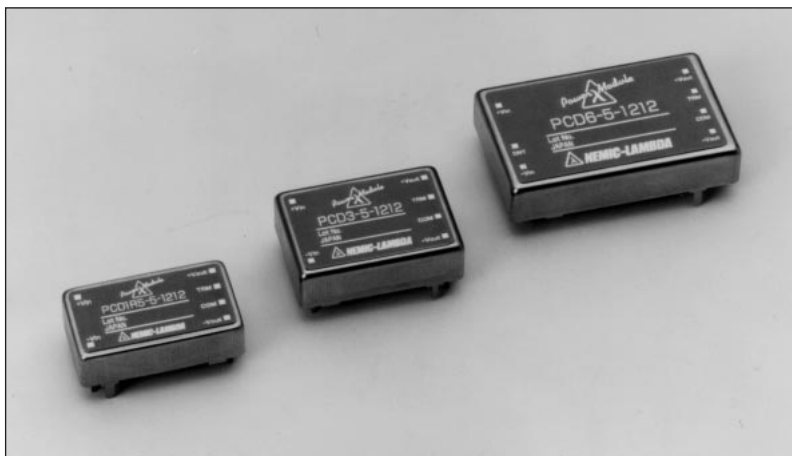


### • PC6 (6W type)



(Unit: mm)

Dimension tolerance not designated is ±0.3.



### Model name

# PCD 6 - 24 - 1212

Series name      Output power      Input voltage      Output voltage

### Features

- Input/Output isolation
- 5 dimensions shield metal case
- Over current protection
- Adjustable output voltage
- Remote ON/OFF control (6W type)

### PCD1R5 (1.5W type) Specifications

Model		PCD1R5-5-1212		PCD1R5-12-1212		PCD1R5-24-1212		PCD1R5-48-1212	
<b>Input Voltage</b>	Vdc	5VDC (4.5 ~ 9.0V)							
<b>Output Voltage (*1)</b>	Vdc	±12V±5%	±15V±5%	±12V±5%	±15V±5%	±12V±5%	±15V±5%	±12V±5%	±15V±5%
<b>Output Current</b>	mA	0 ~ ±60	0 ~ ±50	0 ~ ±60	0 ~ ±50	0 ~ ±60	0 ~ ±50	0 ~ ±60	0 ~ ±50
<b>Output Power (max)</b>	W	1.44	1.5	1.44	1.5	1.44	1.5	1.44	1.5
<b>Efficiency (typ) (*2)</b>	%	69	67	73	73	75	75	75	75

### PCD3 (3W type) Specifications

Model		PCD3-5-1212		PCD3-12-1212		PCD3-24-1212		PCD3-48-1212	
<b>Input Voltage</b>	Vdc	5VDC (4.5 ~ 9.0V)							
<b>Output Voltage (*1)</b>	Vdc	±12V±5%	±15V±5%	±12V±5%	±15V±5%	±12V±5%	±15V±5%	±12V±5%	±15V±5%
<b>Output Current</b>	mA	0 ~ ±125	0 ~ ±100	0 ~ ±125	0 ~ ±100	0 ~ ±125	0 ~ ±100	0 ~ ±125	0 ~ ±100
<b>Output Power (max)</b>	W	3.0	3.0	3.0	3.0	3.0	3.0	3.0	3.0
<b>Efficiency (typ) (*2)</b>	%	72	72	77	77	78	78	78	77

### PCD6 (6W type) Specifications

Model		PCD6-5-1212		PCD6-12-1212		PCD6-24-1212		PCD6-48-1212	
<b>Input Voltage</b>	Vdc	5VDC (4.5 ~ 9.0V)							
<b>Output Voltage (*1)</b>	Vdc	±12V±5%	±15V±5%	±12V±5%	±15V±5%	±12V±5%	±15V±5%	±12V±5%	±15V±5%
<b>Output Current</b>	mA	0 ~ ±250	0 ~ ±200	0 ~ ±250	0 ~ ±200	0 ~ ±250	0 ~ ±200	0 ~ ±250	0 ~ ±200
<b>Output Power (max)</b>	W	6.0	6.0	6.0	6.0	6.0	6.0	6.0	6.0
<b>Efficiency (typ) (*2)</b>	%	75	75	82	82	84	84	82	82

### Common specifications

<b>Withstand Voltage</b>	Input to Output: 500VAC for 1 minute
<b>Cooling</b>	Convection cooling
<b>Operating Temperature</b>	-20 ~ +70°C (-20 ~ +50°C: 100%, +60°C: 70%: 40%)
<b>Over Current Protection</b>	Output current limiting, automatic recovery. Avoid to operate overload or dead short for more than 30 seconds.
<b>Input Protection</b>	Built in fuse on input line

(\*1) Output voltage accuracy includes line and load regulation and temperature drift.

(\*2) At rated input voltage & maximum output power.

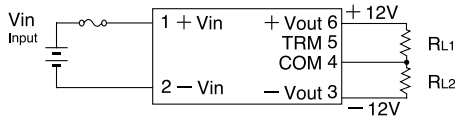
## Terminal connection

### [PCD1R5 (1.5W type) / PCD3 (3W type)]

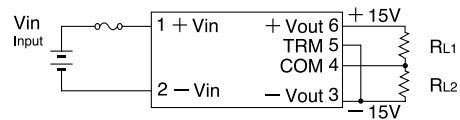
Output voltage can be adjusted by TRM terminals.

Output power must be within the rating, when increasing the output voltage.

**\*1 TRM terminal: Open**  
**Output:  $\pm 12V$**

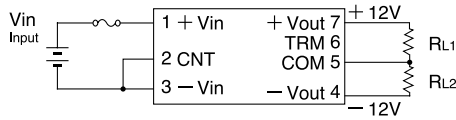


**\*2 TRM terminal & -Vout terminal: Short**  
**Output:  $\pm 15V$**

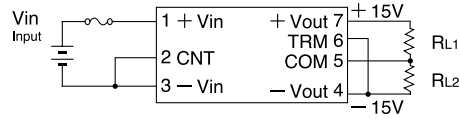


### [PCD6 (6W type)]

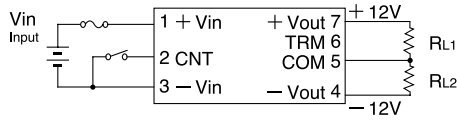
**\*1 TRM terminal: Open**  
**Output:  $\pm 12V$**



**\*2 TRM terminal & -Vout terminal: Short**  
**Output:  $\pm 15V$**



CNT terminal: Remote ON/OFF control

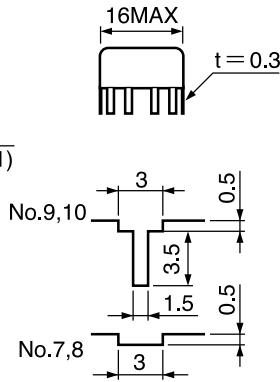
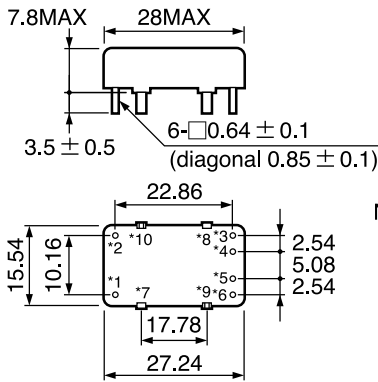


CNT terminal	Output
CNT--Vin: Short or 0 ~ 0.4V	ON
CNT--Vin: Open or 2V ~ Vin	OFF

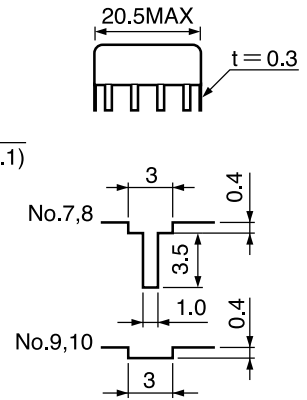
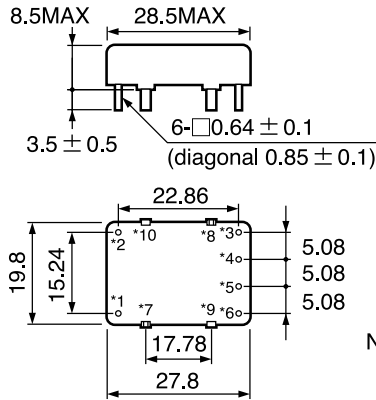
\* Output voltage: Refer to TRM terminal connection

## Outline drawing

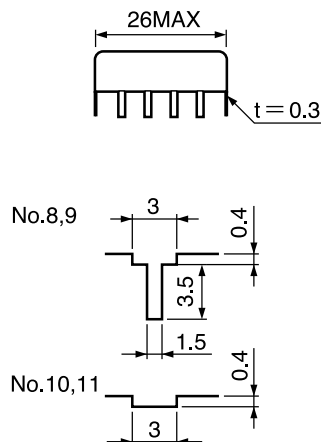
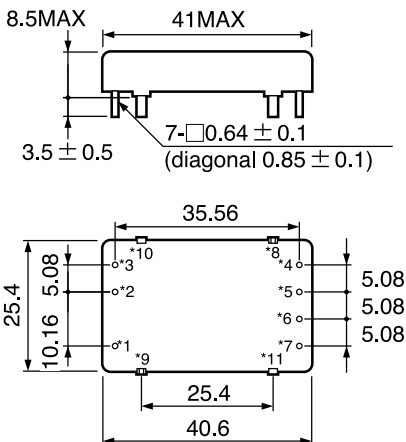
### • PCD1R5 (1.5W type)



### • PCD3 (3W type)



### • PCD6 (6W type)



(Unit: mm)  
Dimension tolerance not designated is  $\pm 0.3$ .

On-Board Type Power Supply