

PCI7621/PCI7611/PCI7421/PCI7411
Dual/Single Socket CardBus and UltraMedia Controller
With Integrated 1394a-2000 OHCI Two-Port
PHY/Link-Layer Controller With Dedicated Flash Media
Socket

Data Manual

IMPORTANT NOTICE

Texas Instruments Incorporated and its subsidiaries (TI) reserve the right to make corrections, modifications, enhancements, improvements, and other changes to its products and services at any time and to discontinue any product or service without notice. Customers should obtain the latest relevant information before placing orders and should verify that such information is current and complete. All products are sold subject to TI's terms and conditions of sale supplied at the time of order acknowledgment.

TI warrants performance of its hardware products to the specifications applicable at the time of sale in accordance with TI's standard warranty. Testing and other quality control techniques are used to the extent TI deems necessary to support this warranty. Except where mandated by government requirements, testing of all parameters of each product is not necessarily performed.

TI assumes no liability for applications assistance or customer product design. Customers are responsible for their products and applications using TI components. To minimize the risks associated with customer products and applications, customers should provide adequate design and operating safeguards.

TI does not warrant or represent that any license, either express or implied, is granted under any TI patent right, copyright, mask work right, or other TI intellectual property right relating to any combination, machine, or process in which TI products or services are used. Information published by TI regarding third-party products or services does not constitute a license from TI to use such products or services or a warranty or endorsement thereof. Use of such information may require a license from a third party under the patents or other intellectual property of the third party, or a license from TI under the patents or other intellectual property of TI.

Reproduction of information in TI data books or data sheets is permissible only if reproduction is without alteration and is accompanied by all associated warranties, conditions, limitations, and notices. Reproduction of this information with alteration is an unfair and deceptive business practice. TI is not responsible or liable for such altered documentation.

Resale of TI products or services with statements different from or beyond the parameters stated by TI for that product or service voids all express and any implied warranties for the associated TI product or service and is an unfair and deceptive business practice. TI is not responsible or liable for any such statements.

Following are URLs where you can obtain information on other Texas Instruments products and application solutions:

Products		Applications	
Amplifiers	amplifier.ti.com	Audio	www.ti.com/audio
Data Converters	dataconverter.ti.com	Automotive	www.ti.com/automotive
DSP	dsp.ti.com	Broadband	www.ti.com/broadband
Interface	interface.ti.com	Digital Control	www.ti.com/digitalcontrol
Logic	logic.ti.com	Military	www.ti.com/military
Power Mgmt	power.ti.com	Optical Networking	www.ti.com/opticalnetwork
Microcontrollers	microcontroller.ti.com	Security	www.ti.com/security
		Telephony	www.ti.com/telephony
		Video & Imaging	www.ti.com/video
		Wireless	www.ti.com/wireless

Mailing Address: Texas Instruments
Post Office Box 655303 Dallas, Texas 75265

Contents

<i>Section</i>	<i>Title</i>	<i>Page</i>
1	Introduction	1-1
1.1	Controller Functional Description	1-1
1.1.1	PCI7621 Controller	1-1
1.1.2	PCI7421 Controller	1-2
1.1.3	PCI7611 Controller	1-2
1.1.4	PCI7411 Controller	1-3
1.1.5	Multifunctional Terminals	1-3
1.1.6	PCI Bus Power Management	1-3
1.1.7	Power Switch Interface	1-3
1.2	Features	1-4
1.3	Related Documents	1-5
1.4	Trademarks	1-6
1.5	Terms and Definitions	1-7
1.6	Ordering Information	1-7
2	Terminal Descriptions	2-1
2.1	Detailed Terminal Descriptions	2-13
3	Feature/Protocol Descriptions	3-1
3.1	Power Supply Sequencing	3-1
3.2	I/O Characteristics	3-2
3.3	Clamping Voltages	3-2
3.4	Peripheral Component Interconnect (PCI) Interface	3-2
3.4.1	1394 PCI Bus Master	3-2
3.4.2	Device Resets	3-3
3.4.3	Serial EEPROM I ² C Bus	3-3
3.4.4	Functions 0 and 1 (CardBus) Subsystem Identification	3-4
3.4.5	Function 2 (OHCI 1394) Subsystem Identification	3-5
3.4.6	Function 3 (Flash Media) Subsystem Identification	3-5
3.4.7	Function 4 (SD Host) Subsystem Identification	3-5
3.4.8	Function 5 (Smart Card) Subsystem Identification	3-5
3.5	PC Card Applications	3-5
3.5.1	PC Card Insertion/Removal and Recognition	3-6
3.5.2	Low Voltage CardBus Card Detection	3-6
3.5.3	UltraMedia Card Detection	3-6
3.5.4	Flash Media Card Detection	3-7
3.5.5	Power Switch Interface	3-8
3.5.6	Internal Ring Oscillator	3-8
3.5.7	Integrated Pullup Resistors for PC Card Interface	3-9

<i>Section</i>	<i>Title</i>	<i>Page</i>
3.5.8	SPKROUT and CAUDPWM Usage	3-9
3.5.9	LED Socket Activity Indicators	3-9
3.5.10	CardBus Socket Registers	3-10
3.5.11	48-MHz Clock Requirements	3-10
3.6	Serial EEPROM Interface	3-11
3.6.1	Serial-Bus Interface Implementation	3-11
3.6.2	Accessing Serial-Bus Devices Through Software	3-11
3.6.3	Serial-Bus Interface Protocol	3-11
3.6.4	Serial-Bus EEPROM Application	3-13
3.7	Programmable Interrupt Subsystem	3-16
3.7.1	PC Card Functional and Card Status Change Interrupts ..	3-17
3.7.2	Interrupt Masks and Flags	3-18
3.7.3	Using Parallel IRQ Interrupts	3-19
3.7.4	Using Parallel PCI Interrupts	3-19
3.7.5	Using Serialized IRQSER Interrupts	3-20
3.7.6	SMI Support in the PCI7x21/PCI7x11 Controller	3-20
3.8	Power Management Overview	3-20
3.8.1	1394 Power Management (Function 2)	3-21
3.8.2	Integrated Low-Dropout Voltage Regulator (LDO-VR)	3-22
3.8.3	CardBus (Functions 0 and 1) Clock Run Protocol	3-22
3.8.4	CardBus PC Card Power Management	3-22
3.8.5	16-Bit PC Card Power Management	3-23
3.8.6	Suspend Mode	3-23
3.8.7	Requirements for Suspend Mode	3-23
3.8.8	Ring Indicate	3-24
3.8.9	PCI Power Management	3-25
3.8.9.1	CardBus Power Management (Functions 0 and 1)	3-25
3.8.9.2	OHCI 1394 (Function 2) Power Management	3-26
3.8.9.3	Flash Media (Function 3) Power Management	3-26
3.8.9.4	SD Host (Function 4) Power Management	3-26
3.8.9.5	Smart Card (Function 5) Power Management	3-26
3.8.10	CardBus Bridge Power Management	3-26
3.8.11	ACPI Support	3-27
3.8.12	Master List of PME Context Bits and Global Reset-Only Bits	3-27
3.9	IEEE 1394 Application Information	3-30
3.9.1	PHY Port Cable Connection	3-30
3.9.2	Crystal Selection	3-31
3.9.3	Bus Reset	3-32

<i>Section</i>	<i>Title</i>	<i>Page</i>
4	PC Card Controller Programming Model	4-1
4.1	PCI Configuration Register Map (Functions 0 and 1)	4-1
4.2	Vendor ID Register	4-2
4.3	Device ID Register Functions 0 and 1	4-3
4.4	Command Register	4-4
4.5	Status Register	4-5
4.6	Revision ID Register	4-6
4.7	Class Code Register	4-6
4.8	Cache Line Size Register	4-6
4.9	Latency Timer Register	4-7
4.10	Header Type Register	4-7
4.11	BIST Register	4-7
4.12	CardBus Socket Registers/ExCA Base Address Register	4-8
4.13	Capability Pointer Register	4-8
4.14	Secondary Status Register	4-9
4.15	PCI Bus Number Register	4-10
4.16	CardBus Bus Number Register	4-10
4.17	Subordinate Bus Number Register	4-10
4.18	CardBus Latency Timer Register	4-11
4.19	CardBus Memory Base Registers 0, 1	4-11
4.20	CardBus Memory Limit Registers 0, 1	4-12
4.21	CardBus I/O Base Registers 0, 1	4-12
4.22	CardBus I/O Limit Registers 0, 1	4-13
4.23	Interrupt Line Register	4-13
4.24	Interrupt Pin Register	4-14
4.25	Bridge Control Register	4-15
4.26	Subsystem Vendor ID Register	4-16
4.27	Subsystem ID Register	4-17
4.28	PC Card 16-Bit I/F Legacy-Mode Base-Address Register	4-17
4.29	System Control Register	4-18
4.30	MC_CD Debounce Register	4-20
4.31	General Control Register	4-21
4.32	General-Purpose Event Status Register	4-23
4.33	General-Purpose Event Enable Register	4-24
4.34	General-Purpose Input Register	4-24
4.35	General-Purpose Output Register	4-25
4.36	Multifunction Routing Status Register	4-26
4.37	Retry Status Register	4-27
4.38	Card Control Register	4-28
4.39	Device Control Register	4-29
4.40	Diagnostic Register	4-30
4.41	Capability ID Register	4-31

<i>Section</i>	<i>Title</i>	<i>Page</i>
4.42	Next Item Pointer Register	4–31
4.43	Power Management Capabilities Register	4–32
4.44	Power Management Control/Status Register	4–33
4.45	Power Management Control/Status Bridge Support Extensions Register	4–34
4.46	Power-Management Data Register	4–34
4.47	Serial Bus Data Register	4–35
4.48	Serial Bus Index Register	4–35
4.49	Serial Bus Slave Address Register	4–36
4.50	Serial Bus Control/Status Register	4–37
5	ExCA Compatibility Registers (Functions 0 and 1)	5–1
5.1	ExCA Identification and Revision Register	5–5
5.2	ExCA Interface Status Register	5–6
5.3	ExCA Power Control Register	5–7
5.4	ExCA Interrupt and General Control Register	5–8
5.5	ExCA Card Status-Change Register	5–9
5.6	ExCA Card Status-Change Interrupt Configuration Register	5–10
5.7	ExCA Address Window Enable Register	5–11
5.8	ExCA I/O Window Control Register	5–12
5.9	ExCA I/O Windows 0 and 1 Start-Address Low-Byte Registers	5–13
5.10	ExCA I/O Windows 0 and 1 Start-Address High-Byte Registers	5–13
5.11	ExCA I/O Windows 0 and 1 End-Address Low-Byte Registers	5–14
5.12	ExCA I/O Windows 0 and 1 End-Address High-Byte Registers	5–14
5.13	ExCA Memory Windows 0–4 Start-Address Low-Byte Registers ...	5–15
5.14	ExCA Memory Windows 0–4 Start-Address High-Byte Registers ...	5–16
5.15	ExCA Memory Windows 0–4 End-Address Low-Byte Registers	5–17
5.16	ExCA Memory Windows 0–4 End-Address High-Byte Registers ...	5–18
5.17	ExCA Memory Windows 0–4 Offset-Address Low-Byte Registers ..	5–19
5.18	ExCA Memory Windows 0–4 Offset-Address High-Byte Registers .	5–20
5.19	ExCA Card Detect and General Control Register	5–21
5.20	ExCA Global Control Register	5–22
5.21	ExCA I/O Windows 0 and 1 Offset-Address Low-Byte Registers ...	5–23
5.22	ExCA I/O Windows 0 and 1 Offset-Address High-Byte Registers ...	5–23
5.23	ExCA Memory Windows 0–4 Page Registers	5–24
6	CardBus Socket Registers (Functions 0 and 1)	6–1
6.1	Socket Event Register	6–2
6.2	Socket Mask Register	6–3
6.3	Socket Present State Register	6–4
6.4	Socket Force Event Register	6–5
6.5	Socket Control Register	6–7
6.6	Socket Power Management Register	6–8

<i>Section</i>	<i>Title</i>	<i>Page</i>
7	OHCI Controller Programming Model	7-1
7.1	Vendor ID Register	7-2
7.2	Device ID Register	7-2
7.3	Command Register	7-3
7.4	Status Register	7-4
7.5	Class Code and Revision ID Register	7-5
7.6	Latency Timer and Class Cache Line Size Register	7-5
7.7	Header Type and BIST Register	7-6
7.8	OHCI Base Address Register	7-6
7.9	TI Extension Base Address Register	7-7
7.10	CardBus CIS Base Address Register	7-8
7.11	CardBus CIS Pointer Register	7-8
7.12	Subsystem Identification Register	7-9
7.13	Power Management Capabilities Pointer Register	7-9
7.14	Interrupt Line Register	7-10
7.15	Interrupt Pin Register	7-10
7.16	Minimum Grant and Maximum Latency Register	7-11
7.17	OHCI Control Register	7-11
7.18	Capability ID and Next Item Pointer Registers	7-12
7.19	Power Management Capabilities Register	7-13
7.20	Power Management Control and Status Register	7-14
7.21	Power Management Extension Registers	7-14
7.22	PCI PHY Control Register	7-15
7.23	PCI Miscellaneous Configuration Register	7-16
7.24	Link Enhancement Control Register	7-17
7.25	Subsystem Access Register	7-18
7.26	GPIO Control Register	7-19
8	OHCI Registers	8-1
8.1	OHCI Version Register	8-4
8.2	GUID ROM Register	8-5
8.3	Asynchronous Transmit Retries Register	8-6
8.4	CSR Data Register	8-6
8.5	CSR Compare Register	8-7
8.6	CSR Control Register	8-7
8.7	Configuration ROM Header Register	8-8
8.8	Bus Identification Register	8-8
8.9	Bus Options Register	8-9
8.10	GUID High Register	8-10
8.11	GUID Low Register	8-10
8.12	Configuration ROM Mapping Register	8-11
8.13	Posted Write Address Low Register	8-11
8.14	Posted Write Address High Register	8-12

<i>Section</i>	<i>Title</i>	<i>Page</i>
8.15	Vendor ID Register	8–12
8.16	Host Controller Control Register	8–13
8.17	Self-ID Buffer Pointer Register	8–14
8.18	Self-ID Count Register	8–15
8.19	Isochronous Receive Channel Mask High Register	8–16
8.20	Isochronous Receive Channel Mask Low Register	8–17
8.21	Interrupt Event Register	8–18
8.22	Interrupt Mask Register	8–20
8.23	Isochronous Transmit Interrupt Event Register	8–22
8.24	Isochronous Transmit Interrupt Mask Register	8–23
8.25	Isochronous Receive Interrupt Event Register	8–24
8.26	Isochronous Receive Interrupt Mask Register	8–25
8.27	Initial Bandwidth Available Register	8–25
8.28	Initial Channels Available High Register	8–26
8.29	Initial Channels Available Low Register	8–26
8.30	Fairness Control Register	8–27
8.31	Link Control Register	8–28
8.32	Node Identification Register	8–29
8.33	PHY Layer Control Register	8–30
8.34	Isochronous Cycle Timer Register	8–31
8.35	Asynchronous Request Filter High Register	8–32
8.36	Asynchronous Request Filter Low Register	8–34
8.37	Physical Request Filter High Register	8–35
8.38	Physical Request Filter Low Register	8–37
8.39	Physical Upper Bound Register (Optional Register)	8–37
8.40	Asynchronous Context Control Register	8–38
8.41	Asynchronous Context Command Pointer Register	8–39
8.42	Isochronous Transmit Context Control Register	8–40
8.43	Isochronous Transmit Context Command Pointer Register	8–41
8.44	Isochronous Receive Context Control Register	8–41
8.45	Isochronous Receive Context Command Pointer Register	8–43
8.46	Isochronous Receive Context Match Register	8–44
9	TI Extension Registers	9–1
9.1	DV and MPEG2 Timestamp Enhancements	9–1
9.2	Isochronous Receive Digital Video Enhancements	9–2
9.3	Isochronous Receive Digital Video Enhancements Register	9–2
9.4	Link Enhancement Register	9–4
9.5	Timestamp Offset Register	9–5
10	PHY Register Configuration	10–1
10.1	Base Registers	10–1
10.2	Port Status Register	10–4
10.3	Vendor Identification Register	10–5

<i>Section</i>	<i>Title</i>	<i>Page</i>
10.4	Vendor-Dependent Register	10–6
10.5	Power-Class Programming	10–7
11	Flash Media Controller Programming Model	11–1
11.1	Vendor ID Register	11–2
11.2	Device ID Register	11–2
11.3	Command Register	11–3
11.4	Status Register	11–4
11.5	Class Code and Revision ID Register	11–5
11.6	Latency Timer and Class Cache Line Size Register	11–5
11.7	Header Type and BIST Register	11–6
11.8	Flash Media Base Address Register	11–6
11.9	Subsystem Vendor Identification Register	11–7
11.10	Subsystem Identification Register	11–7
11.11	Capabilities Pointer Register	11–7
11.12	Interrupt Line Register	11–8
11.13	Interrupt Pin Register	11–8
11.14	Minimum Grant Register	11–9
11.15	Maximum Latency Register	11–9
11.16	Capability ID and Next Item Pointer Registers	11–10
11.17	Power Management Capabilities Register	11–11
11.18	Power Management Control and Status Register	11–12
11.19	Power Management Bridge Support Extension Register	11–12
11.20	Power Management Data Register	11–13
11.21	General Control Register	11–13
11.22	Subsystem Access Register	11–14
11.23	Diagnostic Register	11–15
12	SD Host Controller Programming Model	12–1
12.1	Vendor ID Register	12–2
12.2	Device ID Register	12–2
12.3	Command Register	12–3
12.4	Status Register	12–4
12.5	Class Code and Revision ID Register	12–5
12.6	Latency Timer and Class Cache Line Size Register	12–6
12.7	Header Type and BIST Register	12–6
12.8	SD Host Base Address Register	12–7
12.9	Subsystem Vendor Identification Register	12–7
12.10	Subsystem Identification Register	12–8
12.11	Capabilities Pointer Register	12–8
12.12	Interrupt Line Register	12–8
12.13	Interrupt Pin Register	12–9
12.14	Minimum Grant Register	12–9
12.15	Maximum Latency Register	12–10

<i>Section</i>	<i>Title</i>	<i>Page</i>
12.16	Slot Information Register	12–10
12.17	Capability ID and Next Item Pointer Registers	12–11
12.18	Power Management Capabilities Register	12–12
12.19	Power Management Control and Status Register	12–13
12.20	Power Management Bridge Support Extension Register	12–13
12.21	Power Management Data Register	12–14
12.22	General Control Register	12–14
12.23	Subsystem Access Register	12–15
12.24	Diagnostic Register	12–15
12.25	Slot 0 3.3-V Maximum Current Register	12–16
12.26	Slot 1 3.3-V Maximum Current Register	12–16
12.27	Slot 2 3.3-V Maximum Current Register	12–16
12.28	Slot 3 3.3-V Maximum Current Register	12–17
12.29	Slot 4 3.3-V Maximum Current Register	12–17
12.30	Slot 5 3.3-V Maximum Current Register	12–17
13	Smart Card Controller Programming Model	13–1
13.1	Vendor ID Register	13–2
13.2	Device ID Register	13–2
13.3	Command Register	13–3
13.4	Status Register	13–4
13.5	Class Code and Revision ID Register	13–5
13.6	Latency Timer and Class Cache Line Size Register	13–5
13.7	Header Type and BIST Register	13–6
13.8	Smart Card Base Address Register 0	13–6
13.9	Smart Card Base Address Register 1–4	13–7
13.10	Subsystem Vendor Identification Register	13–7
13.11	Subsystem Identification Register	13–8
13.12	Capabilities Pointer Register	13–8
13.13	Interrupt Line Register	13–8
13.14	Interrupt Pin Register	13–9
13.15	Minimum Grant Register	13–9
13.16	Maximum Latency Register	13–10
13.17	Capability ID and Next Item Pointer Registers	13–10
13.18	Power Management Capabilities Register	13–11
13.19	Power Management Control and Status Register	13–12
13.20	Power Management Bridge Support Extension Register	13–12
13.21	Power Management Data Register	13–13
13.22	General Control Register	13–13
13.23	Subsystem ID Alias Register	13–14
13.24	Class Code Alias Register	13–14
13.25	Smart Card Configuration 1 Register	13–15
13.26	Smart Card Configuration 2 Register	13–17

<i>Section</i>	<i>Title</i>	<i>Page</i>
14	Electrical Characteristics	14-1
14.1	Absolute Maximum Ratings Over Operating Temperature Ranges	14-1
14.2	Recommended Operating Conditions	14-1
14.3	Electrical Characteristics Over Recommended Operating Conditions	14-4
14.4	Electrical Characteristics Over Recommended Ranges of Operating Conditions	14-5
14.4.1	Device	14-5
14.4.2	Driver	14-5
14.4.3	Receiver	14-5
14.5	PCI Clock/Reset Timing Requirements Over Recommended Ranges of Supply Voltage and Operating Free-Air Temperature	14-6
14.6	Switching Characteristics for PHY Port Interface	14-6
14.7	Operating, Timing, and Switching Characteristics of XI	14-6
14.8	PCI Timing Requirements Over Recommended Ranges of Supply Voltage and Operating Free-Air Temperature	14-6
15	Mechanical Information	15-1

List of Illustrations

<i>Figure</i>	<i>Title</i>	<i>Page</i>
2-1	PCI7621 GHK/ZHK-Package Terminal Diagram	2-1
2-2	PCI7421 GHK/ZHK-Package Terminal Diagram	2-2
2-3	PCI7611 GHK/ZHK-Package Terminal Diagram	2-3
2-4	PCI7411 GHK/ZHK-Package Terminal Diagram	2-4
3-1	PCI7x21/PCI7x11 System Block Diagram	3-1
3-2	3-State Bidirectional Buffer	3-2
3-3	PCI Reset Requirement	3-3
3-4	Serial ROM Application	3-4
3-5	SPKROUT Connection to Speaker Driver	3-9
3-6	Two Sample LED Circuits	3-10
3-7	Serial-Bus Start/Stop Conditions and Bit Transfers	3-12
3-8	Serial-Bus Protocol Acknowledge	3-12
3-9	Serial-Bus Protocol—Byte Write	3-12
3-10	Serial-Bus Protocol—Byte Read	3-13
3-11	EEPROM Interface Doubleword Data Collection	3-13
3-12	IRQ Implementation	3-19
3-13	System Diagram Implementing CardBus Device Class Power Management	3-21
3-14	Signal Diagram of Suspend Function	3-23
3-15	$\overline{RI_OUT}$ Functional Diagram	3-24
3-16	Block Diagram of a Status/Enable Cell	3-27
3-17	TP Cable Connections	3-30
3-18	Typical Compliant DC Isolated Outer Shield Termination	3-30
3-19	Non-DC Isolated Outer Shield Termination	3-31
3-20	Load Capacitance for the PCI7x21/PCI7x11 PHY	3-32
3-21	Recommended Crystal and Capacitor Layout	3-32
5-1	ExCA Register Access Through I/O	5-2
5-2	ExCA Register Access Through Memory	5-2
6-1	Accessing CardBus Socket Registers Through PCI Memory	6-1
14-1	Test Load Diagram	14-5

List of Tables

<i>Table</i>	<i>Title</i>	<i>Page</i>
1-1	Terms and Definitions	1-7
2-1	Signal Names by GHK Terminal Number	2-5
2-2	CardBus PC Card Signal Names Sorted Alphabetically	2-9
2-3	16-Bit PC Card Signal Names Sorted Alphabetically	2-11
2-4	Power Supply Terminals	2-14
2-5	PC Card Power Switch Terminals	2-15
2-6	PCI System Terminals	2-15
2-7	PCI Address and Data Terminals	2-16
2-8	PCI Interface Control Terminals	2-17
2-9	Multifunction and Miscellaneous Terminals	2-18
2-10	16-Bit PC Card Address and Data Terminals	2-19
2-11	16-Bit PC Card Interface Control Terminals	2-20
2-12	CardBus PC Card Interface System Terminals	2-22
2-13	CardBus PC Card Address and Data Terminals	2-23
2-14	CardBus PC Card Interface Control Terminals	2-24
2-15	IEEE 1394 Physical Layer Terminals	2-26
2-16	SD/MMC Terminals	2-27
2-17	Memory Stick/PRO Terminals	2-27
2-18	Smart Media/XD Terminals	2-28
2-19	Smart Card Terminals	2-29
3-1	PCI Bus Support	3-2
3-2	PC Card—Card Detect and Voltage Sense Connections	3-7
3-3	TPS2228 Control Logic—xVPP/VCORE	3-8
3-4	TPS2228 Control Logic—xVCC	3-8
3-5	TPS2226 Control Logic—xVPP	3-8
3-6	TPS2226 Control Logic—xVCC	3-8
3-7	CardBus Socket Registers	3-10
3-8	PCI7x21/PCI7x11 Registers Used to Program Serial-Bus Devices	3-11
3-9	EEPROM Loading Map	3-14
3-10	Interrupt Mask and Flag Registers	3-17
3-11	PC Card Interrupt Events and Description	3-18
3-12	Interrupt Pin Register Cross Reference	3-20
3-13	SMI Control	3-20
3-14	Requirements for Internal/External 1.5-V Core Power Supply	3-22
3-15	Power-Management Registers	3-25
3-16	Function 2 Power-Management Registers	3-26
3-17	Function 3 Power-Management Registers	3-26

<i>Table</i>	<i>Title</i>	<i>Page</i>
3-18	Function 4 Power-Management Registers	3-26
3-19	Function 5 Power-Management Registers	3-26
4-1	Bit Field Access Tag Descriptions	4-1
4-2	Functions 0 and 1 PCI Configuration Register Map	4-1
4-3	Command Register Description	4-4
4-4	Status Register Description	4-5
4-5	Secondary Status Register Description	4-9
4-6	Interrupt Pin Register Cross Reference	4-15
4-7	Bridge Control Register Description	4-15
4-8	System Control Register Description	4-18
4-9	General Control Register Description	4-22
4-10	General-Purpose Event Status Register Description	4-23
4-11	General-Purpose Event Enable Register Description	4-24
4-12	General-Purpose Input Register Description	4-24
4-13	General-Purpose Output Register Description	4-25
4-14	Multifunction Routing Status Register Description	4-26
4-15	Retry Status Register Description	4-27
4-16	Card Control Register Description	4-28
4-17	Device Control Register Description	4-29
4-18	Diagnostic Register Description	4-30
4-19	Power Management Capabilities Register Description	4-32
4-20	Power Management Control/Status Register Description	4-33
4-21	Power Management Control/Status Bridge Support Extensions Register Description	4-34
4-22	Serial Bus Data Register Description	4-35
4-23	Serial Bus Index Register Description	4-35
4-24	Serial Bus Slave Address Register Description	4-36
4-25	Serial Bus Control/Status Register Description	4-37
5-1	ExCA Registers and Offsets	5-3
5-2	ExCA Identification and Revision Register Description	5-5
5-3	ExCA Interface Status Register Description	5-6
5-4	ExCA Power Control Register Description—82365SL Support	5-7
5-5	ExCA Power Control Register Description—82365SL-DF Support	5-7
5-6	ExCA Interrupt and General Control Register Description	5-8
5-7	ExCA Card Status-Change Register Description	5-9
5-8	ExCA Card Status-Change Interrupt Configuration Register Description	5-10
5-9	ExCA Address Window Enable Register Description	5-11
5-10	ExCA I/O Window Control Register Description	5-12
5-11	ExCA Memory Windows 0-4 Start-Address High-Byte Registers Description	5-16
5-12	ExCA Memory Windows 0-4 End-Address High-Byte Registers Description	5-18

<i>Table</i>	<i>Title</i>	<i>Page</i>
5–13	ExCA Memory Windows 0–4 Offset-Address High-Byte Registers Description	5–20
5–14	ExCA Card Detect and General Control Register Description	5–21
5–15	ExCA Global Control Register Description	5–22
6–1	CardBus Socket Registers	6–1
6–2	Socket Event Register Description	6–2
6–3	Socket Mask Register Description	6–3
6–4	Socket Present State Register Description	6–4
6–5	Socket Force Event Register Description	6–6
6–6	Socket Control Register Description	6–7
6–7	Socket Power Management Register Description	6–8
7–1	Function 2 Configuration Register Map	7–1
7–2	Command Register Description	7–3
7–3	Status Register Description	7–4
7–4	Class Code and Revision ID Register Description	7–5
7–5	Latency Timer and Class Cache Line Size Register Description	7–5
7–6	Header Type and BIST Register Description	7–6
7–7	OHCI Base Address Register Description	7–6
7–8	TI Base Address Register Description	7–7
7–9	CardBus CIS Base Address Register Description	7–8
7–10	Subsystem Identification Register Description	7–9
7–11	Interrupt Line Register Description	7–10
7–12	PCI Interrupt Pin Register—Read-Only INTPIN Per Function	7–10
7–13	Minimum Grant and Maximum Latency Register Description	7–11
7–14	OHCI Control Register Description	7–11
7–15	Capability ID and Next Item Pointer Registers Description	7–12
7–16	Power Management Capabilities Register Description	7–13
7–17	Power Management Control and Status Register Description	7–14
7–18	Power Management Extension Registers Description	7–14
7–19	PCI PHY Control Register Description	7–15
7–20	PCI Miscellaneous Configuration Register Description	7–16
7–21	Link Enhancement Control Register Description	7–17
7–22	Subsystem Access Register Description	7–18
8–1	OHCI Register Map	8–1
8–2	OHCI Version Register Description	8–4
8–3	GUID ROM Register Description	8–5
8–4	Asynchronous Transmit Retries Register Description	8–6
8–5	CSR Control Register Description	8–7
8–6	Configuration ROM Header Register Description	8–8
8–7	Bus Options Register Description	8–9
8–8	Configuration ROM Mapping Register Description	8–11
8–9	Posted Write Address Low Register Description	8–11
8–10	Posted Write Address High Register Description	8–12

<i>Table</i>	<i>Title</i>	<i>Page</i>
8–11	Host Controller Control Register Description	8–13
8–12	Self-ID Count Register Description	8–15
8–13	Isochronous Receive Channel Mask High Register Description	8–16
8–14	Isochronous Receive Channel Mask Low Register Description	8–17
8–15	Interrupt Event Register Description	8–18
8–16	Interrupt Mask Register Description	8–20
8–17	Isochronous Transmit Interrupt Event Register Description	8–22
8–18	Isochronous Receive Interrupt Event Register Description	8–24
8–19	Initial Bandwidth Available Register Description	8–25
8–20	Initial Channels Available High Register Description	8–26
8–21	Initial Channels Available Low Register Description	8–26
8–22	Fairness Control Register Description	8–27
8–23	Link Control Register Description	8–28
8–24	Node Identification Register Description	8–29
8–25	PHY Control Register Description	8–30
8–26	Isochronous Cycle Timer Register Description	8–31
8–27	Asynchronous Request Filter High Register Description	8–32
8–28	Asynchronous Request Filter Low Register Description	8–34
8–29	Physical Request Filter High Register Description	8–35
8–30	Physical Request Filter Low Register Description	8–37
8–31	Asynchronous Context Control Register Description	8–38
8–32	Asynchronous Context Command Pointer Register Description	8–39
8–33	Isochronous Transmit Context Control Register Description	8–40
8–34	Isochronous Receive Context Control Register Description	8–41
8–35	Isochronous Receive Context Match Register Description	8–44
9–1	TI Extension Register Map	9–1
9–2	Isochronous Receive Digital Video Enhancements Register Description	9–2
9–3	Link Enhancement Register Description	9–4
9–4	Timestamp Offset Register Description	9–5
10–1	Base Register Configuration	10–1
10–2	Base Register Field Descriptions	10–2
10–3	Page 0 (Port Status) Register Configuration	10–4
10–4	Page 0 (Port Status) Register Field Descriptions	10–4
10–5	Page 1 (Vendor ID) Register Configuration	10–5
10–6	Page 1 (Vendor ID) Register Field Descriptions	10–5
10–7	Page 7 (Vendor-Dependent) Register Configuration	10–6
10–8	Page 7 (Vendor-Dependent) Register Field Descriptions	10–6
10–9	Power Class Descriptions	10–7
11–1	Function 3 Configuration Register Map	11–1
11–2	Command Register Description	11–3
11–3	Status Register Description	11–4
11–4	Class Code and Revision ID Register Description	11–5

<i>Table</i>	<i>Title</i>	<i>Page</i>
11-5	Latency Timer and Class Cache Line Size Register Description	11-5
11-6	Header Type and BIST Register Description	11-6
11-7	Flash Media Base Address Register Description	11-6
11-8	PCI Interrupt Pin Register	11-8
11-9	Minimum Grant Register Description	11-9
11-10	Maximum Latency Register Description	11-9
11-11	Capability ID and Next Item Pointer Registers Description	11-10
11-12	Power Management Capabilities Register Description	11-11
11-13	Power Management Control and Status Register Description	11-12
11-14	General Control Register	11-13
11-15	Subsystem Access Register Description	11-14
11-16	Diagnostic Register Description	11-15
12-1	Function 4 Configuration Register Map	12-1
12-2	Command Register Description	12-3
12-3	Status Register Description	12-4
12-4	Class Code and Revision ID Register Description	12-5
12-5	Latency Timer and Class Cache Line Size Register Description	12-6
12-6	Header Type and BIST Register Description	12-6
12-7	SD host Base Address Register Description	12-7
12-8	PCI Interrupt Pin Register	12-9
12-9	Minimum Grant Register Description	12-9
12-10	Maximum Latency Register Description	12-10
12-11	Maximum Latency Register Description	12-10
12-12	Capability ID and Next Item Pointer Registers Description	12-11
12-13	Power Management Capabilities Register Description	12-12
12-14	Power Management Control and Status Register Description	12-13
12-15	General Control Register	12-14
12-16	Subsystem Access Register Description	12-15
12-17	Diagnostic Register Description	12-15
13-1	Function 5 Configuration Register Map	13-1
13-2	Command Register Description	13-3
13-3	Status Register Description	13-4
13-4	Class Code and Revision ID Register Description	13-5
13-5	Latency Timer and Class Cache Line Size Register Description	13-5
13-6	Header Type and BIST Register Description	13-6
13-7	PCI Interrupt Pin Register	13-9
13-8	Minimum Grant Register Description	13-9
13-9	Maximum Latency Register Description	13-10
13-10	Capability ID and Next Item Pointer Registers Description	13-10
13-11	Power Management Capabilities Register Description	13-11
13-12	Power Management Control and Status Register Description	13-12
13-13	General Control Register	13-13
13-14	Subsystem ID Alias Register Description	13-14

<i>Table</i>	<i>Title</i>	<i>Page</i>
13–15	Smart Card Configuration 1 Register Description	13–16
13–16	Smart Card Configuration 2 Register Description	13–17

1 Introduction

The Texas Instruments PCI7621 controller is an integrated dual-socket UltraMedia PC Card controller, Smart Card controller, IEEE 1394 open HCI host controller and PHY, and flash media controller. This high-performance integrated solution provides the latest in PC Card, Smart Card, IEEE 1394, Secure Digital (SD), MultiMediaCard (MMC), Memory Stick/PRO, SmartMedia, and XD technology.

The Texas Instruments PCI7421 controller is an integrated dual-socket UltraMedia PC Card controller, IEEE 1394 Open HCI host controller and PHY, and flash media controller. This high-performance integrated solution provides the latest in PC Card, IEEE 1394, SD, MMC, Memory Stick/PRO, SmartMedia, and XD technology.

The Texas Instruments PCI7611 controller is an integrated single-socket UltraMedia PC Card controller, Smart Card controller, IEEE 1394 open HCI host controller and PHY, and flash media controller. This high-performance integrated solution provides the latest in PC Card, Smart Card, IEEE 1394, SD, MMC, Memory Stick/PRO, SmartMedia, and XD technology.

The Texas Instruments PCI7411 controller is an integrated single-socket UltraMedia PC Card controller, IEEE 1394 open HCI host controller and PHY, and flash media controller. This high-performance integrated solution provides the latest in PC Card, IEEE 1394, SD, MMC, Memory Stick/PRO, SmartMedia, and XD technology.

For the remainder of this document, the PCI7x21 controller refers to the PCI7621 and PCI7421 controllers, and the PCI7x11 controller refers to the PCI7611 and PCI7411 controllers.

1.1 Controller Functional Description

1.1.1 PCI7621 Controller

The PCI7621 controller is a six-function PCI controller compliant with *PCI Local Bus Specification*, Revision 2.3.

Functions 0 and 1 provide the independent PC Card socket controllers compliant with the *PC Card Standard* (Release 8.1). The PCI7621 controller provides features that make it the best choice for bridging between the PCI bus and PC Cards, and supports any combination of Smart Card, Flash Media, 16-bit, CardBus, and USB custom card interface PC Cards in the two sockets, powered at 5 V or 3.3 V, as required.

All card signals are internally buffered to allow hot insertion and removal without external buffering. The PCI7621 controller is register compatible with the Intel 82365SL-DF ExCA controller. The PCI7621 internal data path logic allows the host to access 8-, 16-, and 32-bit cards using full 32-bit PCI cycles for maximum performance. Independent buffering and a pipeline architecture provide an unsurpassed performance level with sustained bursting. The PCI7621 controller can be programmed to accept posted writes to improve bus utilization.

Function 2 of the PCI7621 controller is compatible with IEEE Std 1394a-2000 and the latest *1394 Open Host Controller Interface Specification*. The chip provides the IEEE1394 link and 2-port PHY function and is compatible with data rates of 100, 200, and 400 Mbits per second. Deep FIFOs are provided to buffer 1394 data and accommodate large host bus latencies. The PCI7621 controller provides physical write posting and a highly tuned physical data path for SBP-2 performance.

Function 3 of the PCI7621 controller is a PCI-based Flash Media controller that supports Memory Stick, Memory Stick-Pro, SmartMedia, XD, SD, and MMC cards. This function controls communication with these Flash Media cards through a passive PC Card adapter or through a dedicated Flash Media socket. In addition, this function includes DMA capabilities for improved Flash Media performance.

Function 4 of the PCI7621 controller is a PCI-based SD host controller that supports MMC, SD, and SDIO cards. This function controls communication with these Flash Media cards through a passive PC Card adapter or through a dedicated Flash Media socket. In addition, this function is compliant with the *SD Host Controller Standard Specification* and includes both DMA capabilities and support for SD suspend/resume.

Function 5 of the PCI7621 controller is a PCI-based Smart Card controller used for communication with Smart Cards inserted in PC Card adapters. Utilizing Smart Card technology from Gemplus, this function provides compatibility with many different types of Smart Cards.

1.1.2 PCI7421 Controller

The PCI7421 controller is a five-function PCI controller compliant with *PCI Local Bus Specification*, Revision 2.3.

Functions 0 and 1 provide the independent PC Card socket controllers compliant with the *PC Card Standard* (Release 8.1). The PCI7421 controller provides features that make it the best choice for bridging between the PCI bus and PC Cards, and supports any combination of Smart Card, Flash Media, 16-bit, CardBus, and USB custom card interface PC Cards in the two sockets, powered at 5 V or 3.3 V, as required.

All card signals are internally buffered to allow hot insertion and removal without external buffering. The PCI7421 controller is register compatible with the Intel 82365SL-DF ExCA controller. The PCI7421 internal data path logic allows the host to access 8-, 16-, and 32-bit cards using full 32-bit PCI cycles for maximum performance. Independent buffering and a pipeline architecture provide an unsurpassed performance level with sustained bursting. The PCI7421 controller can be programmed to accept posted writes to improve bus utilization.

Function 2 of the PCI7421 controller is compatible with IEEE Std 1394a-2000 and the latest *1394 Open Host Controller Interface Specification*. The chip provides the IEEE1394 link and 2-port PHY function and is compatible with data rates of 100, 200, and 400 Mbits per second. Deep FIFOs are provided to buffer 1394 data and accommodate large host bus latencies. The PCI7421 provides physical write posting and a highly tuned physical data path for SBP-2 performance.

Function 3 of the PCI7421 controller is a PCI-based Flash Media controller that supports Memory Stick, Memory Stick-Pro, SmartMedia, XD, SD, and MMC cards. This function controls communication with these Flash Media cards through a passive PC Card adapter or through a dedicated Flash Media socket. In addition, this function includes DMA capabilities for improved Flash Media performance.

Function 4 of the PCI7421 controller is a PCI-based SD host controller that supports MMC, SD, and SDIO cards. This function controls communication with these Flash Media cards through a passive PC Card adapter or through a dedicated Flash Media socket. In addition, this function is compliant with the *SD Host Controller Standard Specification* and includes both DMA capabilities and support for SD suspend/resume.

1.1.3 PCI7611 Controller

The PCI7611 controller is a five-function PCI controller compliant with *PCI Local Bus Specification*, Revision 2.3.

Function 0 provides an independent PC Card socket controller compliant with the *PC Card Standard* (Release 8.1). The PCI7611 controller provides features that make it the best choice for bridging between the PCI bus and PC Cards, and supports Smart Card, Flash Media, 16-bit, CardBus or USB custom card interface PC Cards, powered at 5 V or 3.3 V, as required.

All card signals are internally buffered to allow hot insertion and removal without external buffering. The PCI7611 controller is register compatible with the Intel 82365SL-DF ExCA controller. The PCI7611 internal data path logic allows the host to access 8-, 16-, and 32-bit cards using full 32-bit PCI cycles for maximum performance. Independent buffering and a pipeline architecture provide an unsurpassed performance level with sustained bursting. The PCI7611 controller can be programmed to accept posted writes to improve bus utilization.

Function 2 of the PCI7611 controller is compatible with IEEE Std 1394a-2000 and the latest *1394 Open Host Controller Interface Specification*. The chip provides the IEEE1394 link and 2-port PHY function and is compatible with data rates of 100, 200, and 400 Mbits per second. Deep FIFOs are provided to buffer 1394 data and accommodate large host bus latencies. The PCI7611 controller provides physical write posting and a highly tuned physical data path for SBP-2 performance.

Function 3 of the PCI7611 controller is a PCI-based Flash Media controller that supports Memory Stick, Memory Stick-Pro, SmartMedia, XD, SD, and MMC cards. This function controls communication with these Flash Media cards

through a passive PC Card adapter or through a dedicated Flash Media socket. In addition, this function includes DMA capabilities for improved Flash Media performance.

Function 4 of the PCI7611 controller is a PCI-based SD host controller that supports MMC, SD, and SDIO cards. This function controls communication with these Flash Media cards through a passive PC Card adapter or through a dedicated Flash Media socket. In addition, this function is compliant with the *SD Host Controller Standard Specification* and includes both DMA capabilities and support for SD suspend/resume.

Function 5 of the PCI7611 controller is a PCI-based Smart Card controller used for communication with Smart Cards inserted in PC Card adapters. Utilizing Smart Card technology from Gemplus, this function provides compatibility with many different types of Smart Cards.

1.1.4 PCI7411 Controller

The PCI7411 controller is a four-function PCI controller compliant with *PCI Local Bus Specification*, Revision 2.3.

Function 0 provides an independent PC Card socket controller compliant with the *PC Card Standard* (Release 8.1). The PCI7411 controller provides features that make it the best choice for bridging between the PCI bus and PC Cards, and supports Smart Card, Flash Media, 16-bit, CardBus or USB custom card interface PC Cards, powered at 5 V or 3.3 V, as required.

All card signals are internally buffered to allow hot insertion and removal without external buffering. The PCI7411 controller is register compatible with the Intel 82365SL-DF ExCA controller. The PCI7411 internal data path logic allows the host to access 8-, 16-, and 32-bit cards using full 32-bit PCI cycles for maximum performance. Independent buffering and a pipeline architecture provide an unsurpassed performance level with sustained bursting. The PCI7411 controller can be programmed to accept posted writes to improve bus utilization.

Function 2 of the PCI7411 controller is compatible with IEEE Std 1394a-2000 and the latest *1394 Open Host Controller Interface Specification*. The chip provides the IEEE1394 link and 2-port PHY function and is compatible with data rates of 100, 200, and 400 Mbits per second. Deep FIFOs are provided to buffer 1394 data and accommodate large host bus latencies. The PCI7411 controller provides physical write posting and a highly tuned physical data path for SBP-2 performance.

Function 3 of the PCI7411 controller is a PCI-based Flash Media controller that supports Memory Stick, Memory Stick-Pro, SmartMedia, XD, SD, and MMC cards. This function controls communication with these Flash Media cards through a passive PC Card adapter or through a dedicated Flash Media socket. In addition, this function includes DMA capabilities for improved Flash Media performance.

Function 4 of the PCI7411 controller is a PCI-based SD host controller that supports MMC, SD, and SDIO cards. This function controls communication with these Flash Media cards through a passive PC Card adapter or through a dedicated Flash Media socket. In addition, this function is compliant with the *SD Host Controller Standard Specification* and includes both DMA capabilities and support for SD suspend/resume.

1.1.5 Multifunctional Terminals

Various implementation-specific functions and general-purpose inputs and outputs are provided through eight multifunction terminals. These terminals present a system with options in PC/PCI DMA, serial and parallel interrupts, PC Card activity indicator LEDs, flash media LEDs, and other platform-specific signals. PCI complaint general-purpose events may be programmed and controlled through the multifunction terminals, and an ACPI-compliant programming interface is included for the general-purpose inputs and outputs.

1.1.6 PCI Bus Power Management

The PCI7x21/PCI7x11 controller is compliant with the latest *PCI Bus Power Management Specification*, and provides several low-power modes, which enable the host power system to further reduce power consumption.

1.1.7 Power Switch Interface

The PCI7x21/PCI7x11 controller also has a three-pin serial interface compatible with the Texas Instruments TPS2228 (default), TPS2226, TPS2224, and TPS2223A power switches. All four power switches provide power to the CardBus socket(s) on the PCI7x21/PCI7x11 controller. The power to each dedicated socket is controlled through separate power control pins. Each of these power control pins can be connected to an external 3.3-V power switch.

1.2 Features

The PCI7x21/PCI7x11 controller supports the following features:

- *PC Card Standard 8.1* compliant
- *PCI Bus Power Management Interface Specification 1.1* compliant
- *Advanced Configuration and Power Interface (ACPI) Specification 2.0* compliant
- *PCI Local Bus Specification Revision 2.3* compliant
- PC 98/99 and PC2001 compliant
- Windows Logo Program 2.0 compliant
- *PCI Bus Interface Specification for PCI-to-CardBus Bridges*
- Fully compliant with provisions of IEEE Std 1394-1995 for a high-performance serial bus and IEEE Std 1394a-2000
- Fully compliant with *1394 Open Host Controller Interface Specification 1.1*
- 1.5-V core logic and 3.3-V I/O cells with internal voltage regulator to generate 1.5-V core V_{CC}
- Universal PCI interfaces compatible with 3.3-V and 5-V PCI signaling environments
- Supports PC Card or CardBus with hot insertion and removal
- Supports 132-Mbps burst transfers to maximize data throughput on both the PCI bus and the CardBus
- Supports serialized IRQ with PCI interrupts
- Programmable multifunction terminals
- Many interrupt modes supported
- Serial ROM interface for loading subsystem ID and subsystem vendor ID
- ExCA-compatible registers are mapped in memory or I/O space
- Intel 82365SL-DF register compatible
- Supports ring indicate, $\overline{\text{SUSPEND}}$, and PCI $\overline{\text{CLKRUN}}$ protocols
- Provides VGA/palette memory and I/O, and subtractive decoding options, LED activity terminals
- Fully interoperable with FireWire™ and i.LINK™ implementations of IEEE Std 1394
- Compliant with Intel *Mobile Power Guideline 2000*
- Full IEEE Std 1394a-2000 support includes: connection debounce, arbitrated short reset, multispeed concatenation, arbitration acceleration, fly-by concatenation, and port disable/suspend/resume
- Power-down features to conserve energy in battery-powered applications include: automatic device power down during suspend, PCI power management for link-layer, and inactive ports powered down, ultralow-power sleep mode
- Two IEEE Std 1394a-2000 fully compliant cable ports at 100M bits/s, 200M bits/s, and 400M bits/s
- Cable ports monitor line conditions for active connection to remote node
- Cable power presence monitoring
- Separate cable bias (TPBIAS) for each port
- Physical write posting of up to three outstanding transactions
- PCI burst transfers and deep FIFOs to tolerate large host latency

- External cycle timer control for customized synchronization
- Extended resume signaling for compatibility with legacy DV components
- PHY-Link logic performs system initialization and arbitration functions
- PHY-Link encode and decode functions included for data-strobe bit level encoding
- PHY-Link incoming data resynchronized to local clock
- Low-cost 24.576-MHz crystal provides transmit and receive data at 100M bits/s, 200M bits/s, and 400M bits/s
- Node power class information signaling for system power management
- Register bits give software control of contender bit, power class bits, link active control bit, and IEEE Std 1394a-2000 features
- Isochronous receive dual-buffer mode
- Out-of-order pipelining for asynchronous transmit requests
- Register access fail interrupt when the PHY SCLK is not active
- PCI power-management D0, D1, D2, and D3 power states
- Initial bandwidth available and initial channels available registers
- $\overline{\text{PME}}$ support per *1394 Open Host Controller Interface Specification*
- Advanced submicron, low-power CMOS technology

1.3 Related Documents

- *Advanced Configuration and Power Interface (ACPI) Specification* (Revision 2.0)
- *1394 Open Host Controller Interface Specification* (Release 1.1)
- *IEEE Standard for a High Performance Serial Bus* (IEEE Std 1394-1995)
- *IEEE Standard for a High Performance Serial Bus—Amendment 1* (IEEE Std 1394a-2000)
- *PC Card Standard* (Release 8.1)
- *PCI Bus Power Management Interface Specification* (Revision 1.1)
- *Serial Bus Protocol 2* (SBP-2)
- *Serialized IRQ Support for PCI Systems*
- *PCI Mobile Design Guide*
- *PCI Bus Power Management Interface Specification for PCI to CardBus Bridges*
- *PCI14xx Implementation Guide for D3 Wake-Up*
- *PCI to PCMCIA CardBus Bridge Register Description*
- Texas Instruments TPS2224 and TPS2226 product data sheet, SLVS317
- Texas Instruments TPS2223A product data sheet, SLVS428
- Texas Instruments TPS2228 product data sheet, SLVS419
- *PCI Local Bus Specification* (Revision 2.3)
- PCMCIA Proposal (262)
- The Multimedia Card System Specification, Version 3.31

- SD Memory Card Specifications, SD Group, March 2000
- Memory Stick Format Specification, Version 2.0 (Memory Stick-Pro)
- ISO Standards for Identification Cards ISO/IEC 7816
- SD Host Controller Standard Specification, rev. 1.0
- Memory Stick Format Specification, Sony Confidential, ver. 2.0
- SmartMedia Standard 2000, May 19, 2000

1.4 Trademarks

Intel is a trademark of Intel Corporation.

TI and MicroStar BGA are trademarks of Texas Instruments.

FireWire is a trademark of Apple Computer, Inc.

i.LINK is a trademark of Sony Corporation of America.

Memory Stick is a trademark of Sony Kabushiki Kaisha TA Sony Corporation, Japan.

Other trademarks are the property of their respective owners.

1.5 Terms and Definitions

Terms and definitions used in this document are given in Table 1–1.

Table 1–1. Terms and Definitions

TERM	DEFINITIONS
AT	AT (advanced technology, as in PC AT) attachment interface
ATA driver	An existing host software component that loads when any flash media adapter and card is inserted into a PC Card socket. This driver is logically attached to a predefined CIS provided by the PCI7x21/PCI7x11 controller when the adapter and media are both inserted.
CIS	Card information structure. Tuple list defined by the PC Card standard to communicate card information to the host computer
CSR	Control and status register
Flash Media	SmartMedia, Memory Stick, MS/PRO, xD, MMC, or SD/MMC Flash operating in an ATA compatible mode
ISO/IEC 7816	The Smart Card standard
Memory Stick™	A small-form-factor flash interface that is defined, promoted, and licensed by Sony
Memory Stick Pro™	Memory Stick Version 2.0, same physical dimensions of MS with higher speed data exchange and higher data capacity than conventional Memory Stick.
MMC	MultiMediaCard. Specified by the MMC Association, and scope is encompassed by the SD Flash specification.
OHCI	Open host controller interface
PCMCIA	Personal Computer Memory Card International Association. Standards body that governs the PC Card standards
RSVD	Reserved for future use
SD Flash	Secure Digital Flash. Standard governed by the SD Association
Smart Card	The name applied to ID cards containing integrated circuits, as defined by ISO/IEC 7816-1
SPI	Serial peripheral interface, a general-purpose synchronous serial interface. For more information, see the <i>Multimedia Card System Specification</i> , version 3.2.
SSFDC	Solid State Floppy Disk Card. The SSFDC Forum specifies SmartMedia
TI Smart Card driver	A qualified software component provided by Texas Instruments that loads when an UltraMedia-based Smart Card adapter is inserted into a PC Card slot. This driver is logically attached to a CIS provided by the PCI7621 when the adapter and media are both inserted.
UltraMedia™	<i>De facto</i> industry standard promoted by Texas Instruments that integrates CardBus, Smart Card, Memory Stick, MultiMediaCard/Secure Digital and SmartMedia functionality into one controller.
xD	Extreme Digital, small form factor flash based on SmartMedia cards, developed by Fuji Film and Olympus Optical.

1.6 Ordering Information

ORDERING NUMBER	NAME	VOLTAGE	PACKAGE
PCI7621	Dual Socket CardBus and UltraMedia Controller with Integrated 1394a-2000 OHCI Two-Port PHY/Link-Layer Controller with Dedicated Flash Media Socket	3.3-V, 5-V tolerant I/Os	288-ball PBGA (GHK or ZHK)
PCI7421	Dual Socket CardBus and UltraMedia Controller with Integrated 1394a-2000 OHCI Two-Port PHY/Link-Layer Controller with Dedicated Flash Media Socket	3.3-V, 5-V tolerant I/Os	288-ball PBGA (GHK or ZHK)
PCI7611	Single Socket CardBus and UltraMedia Controller with Integrated 1394a-2000 OHCI Two-Port PHY/Link-Layer Controller with Dedicated Flash Media Socket	3.3-V, 5-V tolerant I/Os	288-ball PBGA (GHK or ZHK)
PCI7411	Single Socket CardBus and UltraMedia Controller with Integrated 1394a-2000 OHCI Two-Port PHY/Link-Layer Controller with Dedicated Flash Media Socket	3.3-V, 5-V tolerant I/Os	288-ball PBGA (GHK or ZHK)

2 Terminal Descriptions

The PCI7x21/PCI7x11 controller is available in the 288-terminal MicroStar BGA™ package (GHK) or the 288-terminal lead-free (Pb, atomic number 82) MicroStar BGA™ package (ZHK). Figure 2–1 is a pin diagram of the PCI7621 package. Figure 2–2 is a pin diagram of the PCI7421 package. Figure 2–3 is a pin diagram of the PCI7611 package. Figure 2–4 is a pin diagram of the PCI7411 package.

W		AD27	VCCP	C/BE3	IDSEL	AD19	C/BE2	STOP	C/BE1	VCCP	C/BE0	AD4	AD0	TPB0N	TPA0N	TPB1N	NC	TPA1N		
V	AD30	AD29	AD26	AD24	AD23	AD18	FRAME	PERR	AD15	AD11	AD7	AD3	PC2 (TEST3)	TPB0P	TPA0P	TPB1P	AVDD	TPA1P	VDPLL_33	
U	REQ	AD31	AD28	AD25	AD22	AD17	IRDY	SERR	AD14	AD10	AD6	AD2	PC1 (TEST2)	AGND	TPBIAS0	AGND	TPBIAS1	R0	R1	
T	GRST	GNT	RI_OUT //PME														VSSPLL	VDPLL_15	RSVD	
R	MFUNC6	SUSPEND	PRST		AD21	AD16	TRDY	AD13	AD9	AD5	PC0 (TEST1)	AVDD	AVDD				PHY_TEST_MA	XI	XO	
P	MFUNC2	MFUNC3	MFUNC4		PCLK	AD20		PAR			TEST0		VSSPLL	CNA			B_CAD1 //B_D4	B_CAD2 //B_D11	B_CAD0 //B_D3	
N	DATA	LATCH	MFUNC0		MFUNC5		VCC	DEVSEL	AD12	AD8	AD1	AGND	B_CCDT //B_CDT		B_CAD4 //B_D12		B_RSVD //B_D14	B_CAD5 //B_D6	B_CAD6 //B_D13	
M	CLK_48	SDA	SCL		MFUNC1		VCC	GND	VCC	VCC	CPS	VCC	B_CAD3 //B_D5	B_CAD8 //B_D15	B_CAD7 //B_D7		B_CAD9 //B_A10	B_CC/BEO //B_CET	VR_PORT	
L	SC_DATA	SC_CD	SC_OC		SC_PWR_CTRL	CLOCK	SPKROUT	GND	GND	GND	GND	GND	B_CAD15 //B_IOWR		B_CAD13 //B_IORD		B_CAD12 //B_A11	B_CAD11 //B_OE	B_CAD10 //B_CE2	
K	SM_R/B//SC_RFU	SM_PHYS_WP//SC_FCB	SC_RST		SC_CLK		SC_VCC_5V	VCC	GND	GND	GND	VCC	B_CPAR //B_A13	B_CC/BET //B_A8	B_RSVD //B_A18		B_CAD16 //B_A17	B_CAD14 //B_A9	VCCB	
J	SD_DAT2 //SM_D6//SC_GPI04	SD_DAT3 //SM_D7//SC_GPI03	SD_CMD//SM_ALE//SC_GPI02		SD_CLK//SM_RE//SC_GPI01	SD_DAT1//SM_D5//SC_GPI05	SM_CLE//SC_GPI00	VCC	GND	GND	GND	VCC	B_CIRDY //B_A15		B_CGNT //B_WE		B_CSTOP //B_A20	B_CPERR //B_A14	B_CBLOCK //B_A19	
H	VR_PORT	VR_EN	SD_DAT0//SM_D4//SC_GPI06		MS_DATA3//SD_DAT3//SM_D3		SD_WP//SM_CE	VCC	VCC	VCC	VCC	VCC	GND	B_CAD19 //B_A25	B_CAD18 //B_A7		B_CTRDY //B_A22	B_CCLK //B_A16	B_CDEVSEL //B_A21	
G	MS_SDIO (DATA0)//SD_DAT0//SM_D0	MS_DATA1//SD_DAT1//SM_D1	MS_DATA2//SD_DAT2//SM_D2		MS_CLK//SD_CLK//SM_EL_WP		GND	GND	A_CAD20 //A_A6	A_CPAR //A_A13	A_CAD14 //A_A9	A_CC/BEO //A_CE1	GND		B_CAD21 //B_A5		B_CAD17 //B_A24	B_CC/BE2 //B_A12	B_CFRAME //B_A23	
F	MC_PWR_CTRL_0	MC_PWR_CTRL_1	MS_BS//SD_CMD//SM_WE		MS_CD	SM_CD			A_CC/BE2 //A_A12	A_CPERR //A_A14		A_CAD6 //A_D13		B_CSTSCHG //B_BVD1 (STSCHG/R)	B_CC/BE3 //B_REG		B_CRST //B_RESET	B_CAD20 //B_A6	B_CVS2 //B_VS2	
E	B_USB_EN	A_USB_EN	SD_CD		A_CCD2 //A_CD2	A_CAD24 //A_A2	A_CREQ //A_INPACK	A_CVS2 //A_VS2	A_CCLK //A_A16	A_CBLOCK //A_A19	A_CAD15 //A_IOWR	A_CAD8 //A_D15	A_CAD3 //A_D5	A_CAD0 //A_D3			B_CAD23 //B_A3	B_CREQ //B_INPACK	B_CAD22 //B_A4	
D	A_CAD31 //A_D10	A_RSVD //A_D2	A_CAD29 //A_D1														B_CAD26 //B_A0	B_CAD24 //B_A2	VCCB	
C	A_CAD30 //A_D9	A_CAD28 //A_D8	A_CCLKRUN //A_WP (IO1S6)	A_CINT//A_READY (REQ)	A_CC/BE3 //A_REG	A_CAD22 //A_A4	A_CAD19 //A_A25	A_CAD18 //A_A7	A_CFRAME //A_A23	A_CDEVSEL //A_A21	A_RSVD //A_A18	A_CAD13 //A_IORD	A_CAD11 //A_OE	A_CAD7 //A_D7	A_CAD4 //A_D12	A_CCD1 //A_CDT	B_CAD27 //B_D0	B_AUDIO //B_BVD2 (SPKR)	B_CVS1 //B_VS1	B_CAD25 //B_A1
B	A_CAD27 //A_D0	A_CSTSCHG //A_BVD1 (STSCHG/R)	A_CSERR //A_WAIT	A_CAD26 //A_A0	A_CAD23 //A_A3	A_CAD21 //A_A5	A_CAD18 //A_A7	A_CIRDY //A_A15	A_CGNT //A_WE	A_CC/BET //A_A8	A_CAD12 //A_A11	A_CAD10 //A_CE2	A_RSVD //A_D14	A_CAD1 //A_D4	B_CAD31 //B_D10	B_CAD29 //B_D1	B_CCD2 //B_CD2	B_CSERR //B_WAIT	B_CINT //B_READY (REQ)	
A		A_AUDIO //A_BVD2 (SPKR)	A_CVS1 //A_VS1	A_CAD25 //A_A1	VCCA	A_CRST //A_RESET	A_CAD17 //A_A24	A_CTRDY //A_A22	A_CSTOP //A_A20	A_CAD16 //A_A17	VCCA	A_CAD9 //A_A10	A_CAD5 //A_D6	A_CAD2 //A_D11	B_RSVD //B_D2	B_CAD30 //B_D9	B_CAD28 //B_D8	B_CCLKRUN //B_WP (IO1S6)		
	1	2	3	4	5	6	7	8	9	10	11	12	13	14	15	16	17	18	19	

Figure 2–1. PCI7621 GHK/ZHK-Package Terminal Diagram

W		AD27	VCCP	C/BE3	IDSEL	AD19	C/BE2	STOP	C/BE1	VCCP	C/BE0	AD4	AD0	TPB0N	TPA0N	TPB1N	NC	TPA1N					
V	AD30	AD29	AD26	AD24	AD23	AD18	FRAME	PERR	AD15	AD11	AD7	AD3	PC2 (TEST3)	TPB0P	TPA0P	TPB1P	AVDD	TPA1P	VDPLL_33				
U	REQ	AD31	AD28	AD25	AD22	AD17	IRDY	SERR	AD14	AD10	AD6	AD2	PC1 (TEST2)	AGND	TPBIAS0	AGND	TPBIAS1	R0	R1				
T	GRST	GNT	RI_OUT //PME															VSSPLL	VDPLL_15	RSVD			
R	MFUNC6	SUSPEND	PRST			AD21	AD16	TRDY	AD13	AD9	AD5	PC0 (TEST1)	AVDD	AVDD					PHY_TEST_MA	XI	XO		
P	MFUNC2	MFUNC3	MFUNC4			PCLK	AD20			PAR			TEST0		VSSPLL	CNA					B_CAD1 //B_D4	B_CAD2 //B_D11	B_CAD0 //B_D3
N	DATA	LATCH	MFUNC0			MFUNC5		VCC	DEVSEL	AD12	AD8	AD1	AGND	B_CCD1 //B_CDT		B_CAD4 //B_D12					B_RSVD //B_D14	B_CAD5 //B_D6	B_CAD6 //B_D13
M	CLK_48	SDA	SCL			MFUNC1		VCC	GND	VCC	VCC	CPS	VCC	B_CAD3 //B_D5	B_CAD8 //B_D15	B_CAD7 //B_D7					B_CAD9 //B_A10	B_CC/BE0 //B_CE1	VR_PORT
L	RSVD	RSVD	RSVD			RSVD	CLOCK	SPKR0UT	GND	GND	GND	GND	GND	B_CAD15 //B_T0WR		B_CAD13 //B_T0RD					B_CAD12 //B_A11	B_CAD11 //B_OE	B_CAD10 //B_CE2
K	SM_R/B	SM_PHYS_WP	RSVD			RSVD		RSVD	VCC	GND	GND	GND	VCC	B_CPAR //B_A13	B_CC/BET //B_A8	B_RSVD //B_A18					B_CAD16 //B_A17	B_CAD14 //B_A9	VCCB
J	SD_DAT2 //SM_D6	SD_DAT3 //SM_D7	SD_CMD// SM_ALE			SD_CLK //SM_RE	SD_DAT1 //SM_D5	SM_CLE	VCC	GND	GND	GND	VCC	B_CIRDY //B_A15		B_CGNT //B_WE					B_CSTOP //B_A20	B_CPERR //B_A14	B_CBLOCK //B_A19
H	VR_PORT	VR_EN	SD_DAT0 //SM_D4			MS_DATA3// SD_DAT3 //SM_D3		SD_WP// SM_CE	VCC	VCC	VCC	VCC	VCC	GND	B_CAD19 //B_A25	B_CAD18 //B_A7					B_CTRDY //B_A22	B_CCLK //B_A16	B_CDEVSEL //B_A21
G	MS_SDIO (DATA0)// SD_DAT0// SM_D0	MS_DATA1 //SD_DAT1 //SM_D1	MS_DATA2 //SD_DAT2 //SM_D2			MS_CLK// SD_CLK// SM_EL_WP		GND	GND	A_CAD20 //A_A6	A_CPAR //A_A13	A_CAD14 //A_A9	A_CC/BE0 //A_CE1	GND		B_CAD21 //B_A5					B_CAD17 //B_A24	B_CC/BE2 //B_A12	B_CFRAME //B_A23
F	MC_PWR_CTRL_0	MC_PWR_CTRL_1	MS_BS// SD_CMD //SM_WE			MS_CD	SM_CD			A_CC/BE2 //A_A12	A_CPERR //A_A14		A_CAD6 //A_D13		B_CSTSCHG //B_BVD1 (STSCHG/RT)	B_CC/BE3 //B_REG					B_CRST //B_RESET	B_CAD20 //B_A6	B_CVS2 //B_VS2
E	B_USB_EN	A_USB_EN	SD_CD			A_CCD2 //A_CD2	A_CAD24 //A_A2	A_CREG //A_INPACK	A_CVS2 //A_VS2	A_CCLK //A_A16	A_CBLOCK //A_A19	A_CAD15 //A_T0WR	A_CAD8 //A_D15	A_CAD3 //A_D5	A_CAD0 //A_D3					B_CAD23 //B_A3	B_CREG //B_INPACK	B_CAD22 //B_A4	
D	A_CAD31 //A_D10	A_RSVD //A_D2	A_CAD29 //A_D1																	B_CAD26 //B_A0	B_CAD24 //B_A2	VCCB	
C	A_CAD30 //A_D9	A_CAD28 //A_D8	A_CCLKRUN //A_WP (IO1S16)	A_CINT// A_READY (IREQ)	A_CC/BE3 //A_REG	A_CAD22 //A_A4	A_CAD19 //A_A25	A_CFRAME //A_A23	A_CDEVSEL //A_A21	A_RSVD //A_A18	A_CAD13 //A_T0RD	A_CAD11 //A_OE	A_CAD7 //A_D7	A_CAD4 //A_D12	A_CCDT //A_CDT	B_CAD27 //B_D0	B_CAUDIO //B_BVD2 (SPKR)	B_CVS1 //B_VS1	B_CAD25 //B_A1				
B	A_CAD27 //A_D0	A_CSTSCHG //A_BVD1 (STSCHG/RT)	A_CSERR //A_WAIT	A_CAD26 //A_A0	A_CAD23 //A_A3	A_CAD21 //A_A5	A_CAD18 //A_A7	A_CIRDY //A_A15	A_CGNT //A_WE	A_CC/BET //A_A8	A_CAD12 //A_A11	A_CAD10 //A_CE2	A_RSVD //A_D14	A_CAD1 //A_D4	B_CAD31 //B_D10	B_CAD29 //B_D1	B_CCD2 //B_CD2	B_CSERR //B_WAIT	B_CINT //B_READY (IREQ)				
A	A_AUDIO //A_BVD2 (SPKR)	A_CVS1 //A_VS1	A_CAD25 //A_A1	VCCA	A_CRST //A_RESET	A_CAD17 //A_A24	A_CTRDY //A_A22	A_CSTOP //A_A20	A_CAD16 //A_A17	VCCA	A_CAD9 //A_A10	A_CAD5 //A_D6	A_CAD2 //A_D11	B_RSVD //B_D2	B_CAD30 //B_D9	B_CAD28 //B_D8	B_CCLKRUN //B_WP (IO1S16)						
	1	2	3	4	5	6	7	8	9	10	11	12	13	14	15	16	17	18	19				

Figure 2–2. PCI7421 GHK/ZHK-Package Terminal Diagram

W		AD27	VCCP	C/BE3	IDSEL	AD19	C/BE2	STOP	C/BE1	VCCP	C/BE0	AD4	AD0	TPB0N	TPA0N	TPB1N	NC	TPA1N					
V	AD30	AD29	AD26	AD24	AD23	AD18	FRAME	PERR	AD15	AD11	AD7	AD3	PC2 (TEST3)	TPB0P	TPA0P	TPB1P	AVDD	TPA1P	VDPLL_33				
U	REQ	AD31	AD28	AD25	AD22	AD17	IRDY	SERR	AD14	AD10	AD6	AD2	PC1 (TEST2)	AGND	TPBIAS0	AGND	TPBIAS1	R0	R1				
T	GRST	GNT	RT_OUT //PME															VSSPLL	VDPLL_15	RSVD			
R	MFUNC6	SUSPEND	PRST			AD21	AD16	TRDY	AD13	AD9	AD5	PC0 (TEST1)	AVDD	AVDD					PHY_TEST_MA	XI	XO		
P	MFUNC2	MFUNC3	MFUNC4			PCLK	AD20			PAR			TEST0	VSSPLL	CNA					RSVD	RSVD	RSVD	
N	DATA	LATCH	MFUNC0			MFUNC5			VCC	DEVSEL	AD12	AD8	AD1	AGND	RSVD			RSVD	RSVD	RSVD			
M	CLK_48	SDA	SCL			MFUNC1			VCC	GND	VCC	VCC	CPS	VCC	RSVD	RSVD	RSVD	RSVD	RSVD	VR_PORT			
L	SC_DATA	SC_CD	SC_OC			SC_PWR_CTRL	CLOCK	SPKROUT	GND	GND	GND	GND	GND	RSVD			RSVD	RSVD	RSVD	RSVD			
K	SM_R/B// SC_RFU	SM_PHYS//_WP// SC_FCB	SC_RST			SC_CLK			SC_VCC_5V	VCC	GND	GND	GND	VCC	RSVD	RSVD	RSVD	RSVD	RSVD	RSVD			
J	SD_DAT2 //SM_D6// SC_GPI04	SD_DAT3 //SM_D7// SC_GPI03	SD_CMD// SM_ALE// SC_GPI02			SD_CLK// SM_RE// SC_GPI01	SD_DAT1// SM_D5// SC_GPI05			SM_CLE// SC_GPI00	VCC	GND	GND	GND	VCC	RSVD			RSVD	RSVD	RSVD		
H	VR_PORT	VR_EN	SD_DAT0// SM_D4// SC_GPI06			MS_DATA3// SD_DAT3 //SM_D3			SD_WP// SM_CE	VCC	VCC	VCC	VCC	VCC	GND	RSVD	RSVD			RSVD	RSVD	RSVD	
G	MS_SDIO (DATA0)// SD_DAT0// SM_D0	MS_DATA1 //SD_D1 //SM_D1	MS_DATA2 //SD_DAT2 //SM_D2			MS_CLK// SD_CLK// SM_EL_WP			GND	GND	A_CAD20 //A_A6	A_CPAR //A_A13	A_CAD14 //A_A9	A_CC/BE0 //A_CET	GND			RSVD	RSVD	RSVD			
F	MC_PWR_CTRL_0	MC_PWR_CTRL_1	MS_BS// SD_CMD //SM_WE			MS_CD	SM_CD			A_CC/BE2 //A_A12	A_CPERR //A_A14			A_CAD6 //A_D13			RSVD	RSVD	RSVD	RSVD			
E	B_USB_EN	A_USB_EN	SD_CD			A_CCD2 //A_CD2	A_CAD24 //A_A2	A_CREQ //A_INPACK	A_CVS2 //A_VS2	A_CCLK //A_A16	A_CBLOCK //A_A19	A_CAD15 //A_TOWR	A_CAD8 //A_D15	A_CAD3 //A_D5	A_CAD0 //A_D3					RSVD	RSVD	RSVD	
D	A_CAD31 //A_D10	A_RSVD //A_D2	A_CAD29 //A_D1																	RSVD	RSVD	RSVD	
C	A_CAD30 //A_D9	A_CAD28 //A_D8	A_CCLKRUN //A_WP (IO1StB)	A_CINT// A_READY (REQ)	A_CC/BE3 //A_REG	A_CAD22 //A_A4	A_CAD19 //A_A25	A_CFRAME //A_A23	A_CDEVSEL //A_A21	A_RSVD //A_A18	A_CAD13 //A_TORD	A_CAD11 //A_OE	A_CAD7 //A_D7	A_CAD4 //A_D12	A_CCD1 //A_CD1					RSVD	RSVD	RSVD	RSVD
B	A_CAD27 //A_D0	A_CSTSCHG //A_BVD1 (STSCHG/R)	A_CSERR //A_WAIT	A_CAD26 //A_A0	A_CAD23 //A_A3	A_CAD21 //A_A5	A_CAD18 //A_A7	A_CIRDY //A_A15	A_CGNT //A_WE	A_CC/BET //A_A8	A_CAD12 //A_A11	A_CAD10 //A_CE2	A_RSVD //A_D14	A_CAD1 //A_D4					RSVD	RSVD	RSVD	RSVD	
A	A_CAUDIO //A_BVD2 (SPKR)	A_CVS1 //A_VS1	A_CAD25 //A_A1	VCCA	A_CRST //A_RESET	A_CAD17 //A_A24	A_CTRDY //A_A22	A_CSTOP //A_A20	A_CAD16 //A_A17	VCCA	A_CAD9 //A_A10	A_CAD5 //A_D6	A_CAD2 //A_D11					RSVD	RSVD	RSVD	RSVD		
	1	2	3	4	5	6	7	8	9	10	11	12	13	14	15	16	17	18	19				

Figure 2-3. PCI7611 GHK/ZHK-Package Terminal Diagram

W		AD27	VCCP	C/BE3	IDSEL	AD19	C/BE2	STOP	C/BE1	VCCP	C/BE0	AD4	AD0	TPB0N	TPA0N	TPB1N	NC	TPA1N		
V	AD30	AD29	AD26	AD24	AD23	AD18	FRAME	PERR	AD15	AD11	AD7	AD3	PC2 (TEST3)	TPB0P	TPA0P	TPB1P	AVDD	TPA1P	VDPLL_33	
U	REQ	AD31	AD28	AD25	AD22	AD17	IRDY	SERR	AD14	AD10	AD6	AD2	PC1 (TEST2)	AGND	TPBIAS0	AGND	TPBIAS1	R0	R1	
T	GRST	GNT	RI_OUT //PME														VSSPLL	VDPLL_15	RSVD	
R	MFUNC6	SUSPEND	PRST			AD21	AD16	TRDY	AD13	AD9	AD5	PC0 (TEST1)	AVDD	AVDD				PHY_TEST_MA	XI	XO
P	MFUNC2	MFUNC3	MFUNC4			PCLK	AD20		PAR			TEST0		VSSPLL	CNA			RSVD	RSVD	RSVD
N	DATA	LATCH	MFUNC0			MFUNC5	VCC	DEVSEL	AD12	AD8	AD1	AGND	RSVD		RSVD			RSVD	RSVD	RSVD
M	CLK_48	SDA	SCL			MFUNC1	VCC	GND	VCC	VCC	CPS	VCC	RSVD	RSVD	RSVD			RSVD	RSVD	VR_PORT
L	RSVD	RSVD	RSVD			RSVD	CLOCK	SPKR0UT	GND	GND	GND	GND	GND	RSVD	RSVD			RSVD	RSVD	RSVD
K	SM_R/B	SM_PHYS_WP	RSVD			RSVD	RSVD	VCC	GND	GND	GND	VCC	RSVD	RSVD	RSVD			RSVD	RSVD	RSVD
J	SD_DAT2 //SM_D6	SD_DAT3 //SM_D7	SD_CMD// SM_ALE			SD_CLK// SM_RE	SD_DAT1 //SM_D5	SM_CLE	VCC	GND	GND	GND	VCC	RSVD		RSVD			RSVD	RSVD
H	VR_PORT	VR_EN	SD_DAT0 //SM_D4			MS_DATA3// SD_DAT3 //SM_D3	SD_WP// SM_CE	VCC	VCC	VCC	VCC	VCC	GND	RSVD	RSVD			RSVD	RSVD	RSVD
G	MS_SDIO (DATA0) //SD_DAT0// SM_D0	MS_DATA1 //SD_DAT1 //SM_D1	MS_DATA2 //SD_DAT2 //SM_D2			MS_CLK// SD_CLK// SM_EL_WP	GND	GND	A_CAD20 //A_A6	A_CPAR //A_A13	A_CAD14 //A_A9	A_CC/BE0 //A_CE1	GND		RSVD			RSVD	RSVD	RSVD
F	MC_PWR_CTRL_0	MC_PWR_CTRL_1	MS_BS// SD_CMD //SM_WE			MS_CD	SM_CD		A_CC/BE2 //A_A12	A_CPERR //A_A14		A_CAD6 //A_D13		RSVD	RSVD			RSVD	RSVD	
E	B_USB_EN	A_USB_EN	SD_CD			A_CCD2 //A_CD2	A_CAD24 //A_A2	A_CREQ //A_INPACK	A_CVS2 //A_VS2	A_CCLK //A_A16	A_CBLOCK //A_A19	A_CAD15 //A_IOWR	A_CAD8 //A_D15	A_CAD3 //A_D5	A_CAD0 //A_D3			RSVD	RSVD	RSVD
D	A_CAD31 //A_D10	A_RSVD //A_D2	A_CAD29 //A_D1															RSVD	RSVD	RSVD
C	A_CAD30 //A_D9	A_CAD28 //A_D8	A_CCLKRN //A_WP (IOTSTB)	A_CINT// A_READY (IREQ)	A_CC/BE3 //A_REG	A_CAD22 //A_A4	A_CAD19 //A_A25	A_CFRAME //A_A23	A_CDEVSEL //A_A21	A_RSVD //A_A18	A_CAD13 //A_IORD	A_CAD11 //A_OE	A_CAD7 //A_D7	A_CAD4 //A_D12	A_CCDT //A_CDT			RSVD	RSVD	RSVD
B	A_CAD27 //A_D0	A_CSTSCHG //A_BVD1 (STSCHG/R)	A_CSERR //A_WAIT	A_CAD26 //A_A0	A_CAD23 //A_A3	A_CAD21 //A_A5	A_CAD18 //A_A7	A_CIRDY //A_A15	A_CGNT //A_WE	A_CC/BET //A_A8	A_CAD12 //A_A11	A_CAD10 //A_CE2	A_RSVD //A_D14	A_CAD1 //A_D4	RSVD	RSVD	RSVD	RSVD	RSVD	RSVD
A		A_AUDIO //A_BVD2 (SPKR)	A_CVS1 //A_VST	A_CAD25 //A_A1	VCCA	A_CRST //A_RESET	A_CAD17 //A_A24	A_CTRDY //A_A22	A_CSTOP //A_A20	A_CAD16 //A_A17	VCCA	A_CAD9 //A_A10	A_CAD5 //A_D6	A_CAD2 //A_D11	RSVD	RSVD	RSVD	RSVD	RSVD	RSVD
	1	2	3	4	5	6	7	8	9	10	11	12	13	14	15	16	17	18	19	

Figure 2–4. PCI7411 GHK/ZHK-Package Terminal Diagram

Table 2–1 lists the terminal assignments arranged in terminal-number order, with corresponding signal names for both CardBus and 16-bit PC Cards for the PCI7421 and PCI7621 GHK packages. Table 2–2 and Table 2–3 list the terminal assignments arranged in alphanumeric order by signal name, with corresponding terminal numbers for the GHK package; Table 2–2 is for CardBus signal names and Table 2–3 is for 16-bit PC Card signal names.

Terminal E5 on the GHK package is an identification ball used for device orientation.

Table 2-1. Signal Names by GHK Terminal Number

TERMINAL NUMBER	SIGNAL NAME		TERMINAL NUMBER	SIGNAL NAME	
	CardBus PC Card	16-Bit PC Card		CardBus PC Card	16-Bit PC Card
A02	A_CAUDIO	A_BVD2(SPKR)	C06	A_CAD22	A_A4
A03	A_CVS1	A_VS1	C07	A_CAD19	A_A25
A04	A_CAD25	A_A1	C08	A_CFRAME	A_A23
A05	VCCA	VCCA	C09	A_CDEVSEL	A_A21
A06	A_CRST	A_RESET	C10	A_RSVD	A_A18
A07	A_CAD17	A_A24	C11	A_CAD13	A_IORD
A08	A_CTRDY	A_A22	C12	A_CAD11	A_OE
A09	A_CSTOP	A_A20	C13	A_CAD7	A_D7
A10	A_CAD16	A_A17	C14	A_CAD4	A_D12
A11	VCCA	VCCA	C15	A_CCD1	A_CD1
A12	A_CAD9	A_A10	C16	B_CAD27	B_D0
A13	A_CAD5	A_D6	C17	B_CAUDIO	B_BVD2(SPKR)
A14	A_CAD2	A_D11	C18	B_CVS1	B_VS1
A15	B_RSVD	B_D2	C19	B_CAD25	B_A1
A16	B_CAD30	B_D9	D01	A_CAD31	A_D10
A17	B_CAD28	B_D8	D02	A_RSVD	A_D2
A18	B_CCLKRUN	B_WP(IOIS16)	D03	A_CAD29	A_D1
B01	A_CAD27	A_D0	D17	B_CAD26	B_A0
B02	A_CSTSCHG	A_BVD1(STSCHG/RI)	D18	B_CAD24	B_A2
B03	A_CSERR	A_WAIT	D19	VCCB	VCCB
B04	A_CAD26	A_A0	E01	B_USB_EN	B_USB_EN
B05	A_CAD23	A_A3	E02	A_USB_EN	A_USB_EN
B06	A_CAD21	A_A5	E03	SD_CD	SD_CD
B07	A_CAD18	A_A7	E05	A_CCD2	A_CD2
B08	A_CIRDY	A_A15	E06	A_CAD24	A_A2
B09	A_CGNT	A_WE	E07	A_CREQ	A_INPACK
B10	A_CC/BE1	A_A8	E08	A_CVS2	A_VS2
B11	A_CAD12	A_A11	E09	A_CCLK	A_A16
B12	A_CAD10	A_CE2	E10	A_CBLOCK	A_A19
B13	A_RSVD	A_D14	E11	A_CAD15	A_IOWR
B14	A_CAD1	A_D4	E12	A_CAD8	A_D15
B15	B_CAD31	B_D10	E13	A_CAD3	A_D5
B16	B_CAD29	B_D1	E14	A_CAD0	A_D3
B17	B_CCD2	B_CD2	E17	B_CAD23	B_A3
B18	B_CSERR	B_WAIT	E18	B_CREQ	B_INPACK
B19	B_CINT	B_READY(IREQ)	E19	B_CAD22	B_A4
C01	A_CAD30	A_D9	F01	MC_PWR_CTRL_0	MC_PWR_CTRL_0
C02	A_CAD28	A_D8	F02	MC_PWR_CTRL_1	MC_PWR_CTRL_1
C03	A_CCLKRUN	A_WP(IOIS16)	F03	MS_BS //SD_CMD //SM_WE	MS_BS //SD_CMD //SM_WE
C04	A_CINT	A_READY(IREQ)	F05	MC_CD	MC_CD
C05	A_CC/BE3	A_REG	F06	SM_CD	SM_CD

Table 2–1. Signal Names by GHK Terminal Number (Continued)

TERMINAL NUMBER	SIGNAL NAME		TERMINAL NUMBER	SIGNAL NAME	
	CardBus PC Card	16-Bit PC Card		CardBus PC Card	16-Bit PC Card
F09	A_CC/BE2	A_A12	H09	VCC	VCC
F10	A_CPERR	A_A14	H10	VCC	VCC
F12	A_CAD6	A_D13	H11	VCC	VCC
F14	B_CSTSCHG	B_BVD1(STSCHG/RI)	H12	VCC	VCC
F15	B_CC/BE3	B_REG	H13	GND	GND
F17	B_CRST	B_RESET	H14	B_CAD19	B_A25
F18	B_CAD20	B_A6	H15	B_CAD18	B_A7
F19	B_CVS2	B_VS2	H17	B_CTRDY	B_A22
G01	MS_SDIO(DATA0) //SD_DAT0 //SM_D0	MS_SDIO(DATA0) //SD_DAT0 //SM_D0	H18	B_CCLK	B_A16
G02	MS_DATA1 //SD_DAT1 //SM_D1	MS_DATA1 //SD_DAT1 //SM_D1	H19	B_CDEVSEL	B_A21
G03	MS_DATA2 //SD_DAT2 //SM_D2	MS_DATA2 //SD_DAT2 //SM_D2	J01	SD_DAT2 //SM_D6 //SC_GPIO4	SD_DAT2 //SM_D6 //SC_GPIO4
G05	MS_CLK //SD_CLK //SM_EL_WP	MS_CLK //SD_CLK //SM_EL_WP	J02	SD_DAT3 //SM_D7 //SC_GPIO3	SD_DAT3 //SM_D7 //SC_GPIO3
G07	GND	GND	J03	SD_CMD //SM_ALE //SC_GPIO2	SD_CMD //SM_ALE //SC_GPIO2
G08	GND	GND	J05	SD_CLK //SM_RE //SC_GPIO1	SD_CLK //SM_RE //SC_GPIO1
G09	A_CAD20	A_A6	J06	SD_DAT1 //SM_D5 //SC_GPIO5	SD_DAT1 //SM_D5 //SC_GPIO5
G10	A_CPAR	A_A13	J07	SM_CLE //SC_GPIO0	SM_CLE //SC_GPIO0
G11	A_CAD14	A_A9	J08	VCC	VCC
G12	A_CC/BE0	A_CE1	J09	GND	GND
G13	GND	GND	J10	GND	GND
G15	B_CAD21	B_A5	J11	GND	GND
G17	B_CAD17	B_A24	J12	VCC	VCC
G18	B_CC/BE2	B_A12	J13	B_CIRDY	B_A15
G19	B_CFRAME	B_A23	J15	B_CGNT	B_WE
H01	VR_PORT	VR_PORT	J17	B_CSTOP	B_A20
H02	VR_EN	VR_EN	J18	B_CPERR	B_A14
H03	SD_DAT0 //SM_D4 //SC_GPIO6	SD_DAT0 //SM_D4 //SC_GPIO6	J19	B_CBLOCK	B_A19
H05	MS_DATA3 //SD_DAT3 //SM_D3	MS_DATA3 //SD_DAT3 //SM_D3	K01	SM_R/B //SC_RFU	SM_R/B //SC_RFU
H07	SD_WP //SM_CE	SD_WP //SM_CE	K02	SM_PHYS_WP //SC_FCB	SM_PHYS_WP //SC_FCB
H08	VCC	VCC	K03	SC_RST	SC_RST

Table 2–1. Signal Names by GHK Terminal Number (Continued)

TERMINAL NUMBER	SIGNAL NAME		TERMINAL NUMBER	SIGNAL NAME	
	CardBus PC Card	16-Bit PC Card		CardBus PC Card	16-Bit PC Card
K05	SC_CLK	SC_CLK	M18	B_CC/BE0	B_CE1
K07	SC_VCC_5V	SC_VCC_5V	M19	VR_PORT	VR_PORT
K08	VCC	VCC	N01	DATA	DATA
K09	GND	GND	N02	LATCH	LATCH
K10	GND	GND	N03	MFUNC0	MFUNC0
K11	GND	GND	N05	MFUNC5	MFUNC5
K12	VCC	VCC	N07	VCC	VCC
K13	B_CPAR	B_A13	N08	DEVSEL	DEVSEL
K14	B_CC/BE1	B_A8	N09	AD12	AD12
K15	B_RSVD	B_A18	N10	AD8	AD8
K17	B_CAD16	B_A17	N11	AD1	AD1
K18	B_CAD14	B_A9	N12	AGND	AGND
K19	VCCB	VCCB	N13	B_CCD1	B_CD1
L01	SC_DATA	SC_DATA	N15	B_CAD4	B_D12
L02	SC_CD	SC_CD	N17	B_RSVD	B_D14
L03	SC_OC	SC_OC	N18	B_CAD5	B_D6
L05	SC_PWR_CTRL	SC_PWR_CTRL	N19	B_CAD6	B_D13
L06	CLOCK	CLOCK	P01	MFUNC2	MFUNC2
L07	SPKROUT	SPKROUT	P02	MFUNC3	MFUNC3
L08	GND	GND	P03	MFUNC4	MFUNC4
L09	GND	GND	P05	PCLK	PCLK
L10	GND	GND	P06	AD20	AD20
L11	GND	GND	P09	PAR	PAR
L12	GND	GND	P12	TEST0	TEST0
L13	B_CAD15	B_IOWR	P14	VSSPLL	VSSPLL
L15	B_CAD13	B_IORD	P15	CNA	CNA
L17	B_CAD12	B_A11	P17	B_CAD1	B_D4
L18	B_CAD11	B_OE	P18	B_CAD2	B_D11
L19	B_CAD10	B_CE2	P19	B_CAD0	B_D3
M01	CLK_48	CLK_48	R01	MFUNC6	MFUNC6
M02	SDA	SDA	R02	SUSPEND	SUSPEND
M03	SCL	SCL	R03	PRST	PRST
M05	MFUNC1	MFUNC1	R06	AD21	AD21
M07	VCC	VCC	R07	AD16	AD16
M08	GND	GND	R08	TRDY	TRDY
M09	VCC	VCC	R09	AD13	AD13
M10	VCC	VCC	R10	AD9	AD9
M11	CPS	CPS	R11	AD5	AD5
M12	VCC	VCC	R12	PC0(TEST1)	PC0(TEST1)
M13	B_CAD3	B_D5	R13	AVDD	AVDD
M14	B_CAD8	B_D15	R14	AVDD	AVDD
M15	B_CAD7	B_D7	R17	PHY_TEST_MA	PHY_TEST_MA
M17	B_CAD9	B_A10	R18	XI	XI

Table 2-1. Signal Names by GHK Terminal Number (Continued)

TERMINAL NUMBER	SIGNAL NAME		TERMINAL NUMBER	SIGNAL NAME	
	CardBus PC Card	16-Bit PC Card		CardBus PC Card	16-Bit PC Card
R19	XO	XO	V06	AD18	AD18
T01	$\overline{\text{GRST}}$	$\overline{\text{GRST}}$	V07	$\overline{\text{FRAME}}$	$\overline{\text{FRAME}}$
T02	$\overline{\text{GNT}}$	$\overline{\text{GNT}}$	V08	$\overline{\text{PERR}}$	$\overline{\text{PERR}}$
T03	$\overline{\text{RI_OUT/PME}}$	$\overline{\text{RI_OUT/PME}}$	V09	AD15	AD15
T17	VSSPLL	VSSPLL	V10	AD11	AD11
T18	VDPLL_15	VDPLL_15	V11	AD7	AD7
T19	RSVD	RSVD	V12	AD3	AD3
U01	$\overline{\text{REQ}}$	$\overline{\text{REQ}}$	V13	PC2(TEST3)	PC2(TEST3)
U02	AD31	AD31	V14	TPB0P	TPB0P
U03	AD28	AD28	V15	TPA0P	TPA0P
U04	AD25	AD25	V16	TPB1P	TPB1P
U05	AD22	AD22	V17	AVDD	AVDD
U06	AD17	AD17	V18	TPA1P	TPA1P
U07	$\overline{\text{IRDY}}$	$\overline{\text{IRDY}}$	V19	VDPLL_33	VDPLL_33
U08	$\overline{\text{SERR}}$	$\overline{\text{SERR}}$	W02	AD27	AD27
U09	AD14	AD14	W03	$\overline{\text{VCCP}}$	$\overline{\text{VCCP}}$
U10	AD10	AD10	W04	$\overline{\text{C/BE3}}$	$\overline{\text{C/BE3}}$
U11	AD6	AD6	W05	IDSEL	IDSEL
U12	AD2	AD2	W06	AD19	AD19
U13	PC1(TEST2)	PC1(TEST2)	W07	$\overline{\text{C/BE2}}$	$\overline{\text{C/BE2}}$
U14	AGND	AGND	W08	$\overline{\text{STOP}}$	$\overline{\text{STOP}}$
U15	TPBIAS0	TPBIAS0	W09	$\overline{\text{C/BE1}}$	$\overline{\text{C/BE1}}$
U16	AGND	AGND	W10	$\overline{\text{VCCP}}$	$\overline{\text{VCCP}}$
U17	TPBIAS1	TPBIAS1	W11	$\overline{\text{C/BE0}}$	$\overline{\text{C/BE0}}$
U18	R0	R0	W12	AD4	AD4
U19	R1	R1	W13	AD0	AD0
V01	AD30	AD30	W14	TPB0N	TPB0N
V02	AD29	AD29	W15	TPA0N	TPA0N
V03	AD26	AD26	W16	TPB1N	TPB1N
V04	AD24	AD24	W17	NC	NC
V05	AD23	AD23	W18	TPA1N	TPA1N

Table 2–2. CardBus PC Card Signal Names Sorted Alphabetically

SIGNAL NAME	TERMINAL NUMBER	SIGNAL NAME	TERMINAL NUMBER	SIGNAL NAME	TERMINAL NUMBER	SIGNAL NAME	TERMINAL NUMBER
AD0	W13	A_CAD5	A13	$\overline{A_CPERR}$	F10	B_CAD30	A16
AD1	N11	A_CAD6	F12	$\overline{A_CREQ}$	E07	B_CAD31	B15
AD2	U12	A_CAD7	C13	$\overline{A_CRST}$	A06	B_CAUDIO	C17
AD3	V12	A_CAD8	E12	$\overline{A_CSERR}$	B03	$\overline{B_CBLOCK}$	J19
AD4	W12	A_CAD9	A12	$\overline{A_CSTOP}$	A09	B_CC/ $\overline{BE0}$	M18
AD5	R11	A_CAD10	B12	A_CSTSCHG	B02	B_CC/ $\overline{BE1}$	K14
AD6	U11	A_CAD11	C12	$\overline{A_CTRDY}$	A08	B_CC/ $\overline{BE2}$	G18
AD7	V11	A_CAD12	B11	A_CVS1	A03	B_CC/ $\overline{BE3}$	F15
AD8	N10	A_CAD13	C11	A_CVS2	E08	$\overline{B_CCD1}$	N13
AD9	R10	A_CAD14	G11	A_RSVD	B13	$\overline{B_CCD2}$	B17
AD10	U10	A_CAD15	E11	A_RSVD	C10	B_CCLK	H18
AD11	V10	A_CAD16	A10	A_RSVD	D02	$\overline{B_CCLKRUN}$	A18
AD12	N09	A_CAD17	A07	$\overline{A_USB_EN}$	E02	$\overline{B_CDEVSEL}$	H19
AD13	R09	A_CAD18	B07	B_CAD0	P19	$\overline{B_CFRAME}$	G19
AD14	U09	A_CAD19	C07	B_CAD1	P17	$\overline{B_CGNT}$	J15
AD15	V09	A_CAD20	G09	B_CAD2	P18	$\overline{B_CINT}$	B19
AD16	R07	A_CAD21	B06	B_CAD3	M13	$\overline{B_CIRDY}$	J13
AD17	U06	A_CAD22	C06	B_CAD4	N15	B_CPAR	K13
AD18	V06	A_CAD23	B05	B_CAD5	N18	$\overline{B_CPERR}$	J18
AD19	W06	A_CAD24	E06	B_CAD6	N19	$\overline{B_CREQ}$	E18
AD20	P06	A_CAD25	A04	B_CAD7	M15	$\overline{B_CRST}$	F17
AD21	R06	A_CAD26	B04	B_CAD8	M14	$\overline{B_CSERR}$	B18
AD22	U05	A_CAD27	B01	B_CAD9	M17	$\overline{B_CSTOP}$	J17
AD23	V05	A_CAD28	C02	B_CAD10	L19	B_CSTSCHG	F14
AD24	V04	A_CAD29	D03	B_CAD11	L18	$\overline{B_CTRDY}$	H17
AD25	U04	A_CAD30	C01	B_CAD12	L17	B_CVS1	C18
AD26	V03	A_CAD31	D01	B_CAD13	L15	B_CVS2	F19
AD27	W02	A_CAUDIO	A02	B_CAD14	K18	B_RSVD	A15
AD28	U03	$\overline{A_CBLOCK}$	E10	B_CAD15	L13	B_RSVD	K15
AD29	V02	A_CC/ $\overline{BE0}$	G12	B_CAD16	K17	B_RSVD	N17
AD30	V01	A_CC/ $\overline{BE1}$	B10	B_CAD17	G17	$\overline{B_USB_EN}$	E01
AD31	U02	A_CC/ $\overline{BE2}$	F09	B_CAD18	H15	C/ $\overline{BE0}$	W11
AGND	N12	A_CC/ $\overline{BE3}$	C05	B_CAD19	H14	C/ $\overline{BE1}$	W09
AGND	U14	$\overline{A_CCD1}$	C15	B_CAD20	F18	C/ $\overline{BE2}$	W07
AGND	U16	$\overline{A_CCD2}$	E05	B_CAD21	G15	C/ $\overline{BE3}$	W04
AVDD	R13	A_CCLK	E09	B_CAD22	E19	CLK_48	M01
AVDD	R14	$\overline{A_CCLKRUN}$	C03	B_CAD23	E17	CLOCK	L06
AVDD	V17	$\overline{A_CDEVSEL}$	C09	B_CAD24	D18	CNA	P15
A_CAD0	E14	$\overline{A_CFRAME}$	C08	B_CAD25	C19	CPS	M11
A_CAD1	B14	$\overline{A_CGNT}$	B09	B_CAD26	D17	DATA	N01
A_CAD2	A14	$\overline{A_CINT}$	C04	B_CAD27	C16	\overline{DEVSEL}	N08
A_CAD3	E13	$\overline{A_CIRDY}$	B08	B_CAD28	A17	\overline{FRAME}	V07
A_CAD4	C14	A_CPAR	G10	B_CAD29	B16	GND	G07

Table 2–2. CardBus PC Card Signal Names Sorted Alphabetically (Continued)

SIGNAL NAME	TERMINAL NUMBER	SIGNAL NAME	TERMINAL NUMBER	SIGNAL NAME	TERMINAL NUMBER	SIGNAL NAME	TERMINAL NUMBER
GND	G08	NC	W17	SD_CMD	J03	TPBIAS0	U15
GND	G13	PAR	P09	SD_DAT0	G01	TPBIAS1	U17
GND	H13	PCLK	P05	SD_DAT0	H03	TPB0N	W14
GND	J09	PC0(TEST1)	R12	SD_DAT1	G02	TPB0P	V14
GND	J10	PC1(TEST2)	U13	SD_DAT1	J06	TPB1N	W16
GND	J11	PC2(TEST3)	V13	SD_DAT2	G03	TPB1P	V16
GND	K09	$\overline{\text{PERR}}$	V08	SD_DAT2	J01	$\overline{\text{TRDY}}$	R08
GND	K10	PHY_TEST_MA	R17	SD_DAT3	H05	VCC	H08
GND	K11	$\overline{\text{PRST}}$	R03	SD_DAT3	J02	VCC	H09
GND	L08	$\overline{\text{REQ}}$	U01	SD_WP	H07	VCC	H10
GND	L09	$\overline{\text{RI_OUT/PME}}$	T03	$\overline{\text{SERR}}$	U08	VCC	H11
GND	L10	RSVD	T19	SM_ALE	J03	VCC	H12
GND	L11	R0	U18	$\overline{\text{SM_CD}}$	F06	VCC	J08
GND	L12	R1	U19	$\overline{\text{SM_CE}}$	H07	VCC	J12
GND	M08	SCL	M03	SM_CLE	J07	VCC	K08
$\overline{\text{GNT}}$	T02	$\overline{\text{SC_CD}}$	L02	SM_D0	G01	VCC	K12
$\overline{\text{GRST}}$	T01	SC_CLK	K05	SM_D1	G02	VCC	M07
IDSEL	W05	SC_DATA	L01	SM_D2	G03	VCC	M09
$\overline{\text{IRDY}}$	U07	SC_FCB	K02	SM_D3	H05	VCC	M10
LATCH	N02	SC_GPIO0	J07	SM_D4	H03	VCC	M12
MC_PWR_CTRL_0	F01	SC_GPIO1	J05	SM_D5	J06	VCC	N07
MC_PWR_CTRL_1	F02	SC_GPIO2	J03	SM_D6	J01	VCCA	A05
MFUNC0	N03	SC_GPIO3	J02	SM_D7	J02	VCCA	A11
MFUNC1	M05	SC_GPIO4	J01	$\overline{\text{SM_EL_WP}}$	G05	VCCB	D19
MFUNC2	P01	SC_GPIO5	J06	$\overline{\text{SM_PHYS_WP}}$	K02	VCCB	K19
MFUNC3	P02	SC_GPIO6	H03	$\overline{\text{SM_R/B}}$	K01	VCCP	W03
MFUNC4	P03	$\overline{\text{SC_OC}}$	L03	$\overline{\text{SM_RE}}$	J05	VCCP	W10
MFUNC5	N05	SC_PWR_CTRL	L05	$\overline{\text{SM_WE}}$	F03	VDPLL_15	T18
MFUNC6	R01	SC_RFU	K01	SPKROUT	L07	VDPLL_33	V19
$\overline{\text{MS_BS}}$	F03	SC_RST	K03	$\overline{\text{STOP}}$	W08	$\overline{\text{VR_EN}}$	H02
$\overline{\text{MS_CD}}$	F05	SC_VCC_5V	K07	$\overline{\text{SUSPEND}}$	R02	VR_PORT	H01
MS_CLK	G05	SDA	M02	TEST0	P12	VR_PORT	M19
MS_DATA1	G02	$\overline{\text{SD_CD}}$	E03	TPA0N	W15	VSSPLL	P14
MS_DATA2	G03	SD_CLK	G05	TPA0P	V15	VSSPLL	T17
MS_DATA3	H05	SD_CLK	J05	TPA1N	W18	XI	R18
MS_SDIO(DATA0)	G01	SD_CMD	F03	TPA1P	V18	XO	R19

Table 2–3. 16-Bit PC Card Signal Names Sorted Alphabetically

SIGNAL NAME	TERMINAL NUMBER	SIGNAL NAME	TERMINAL NUMBER	SIGNAL NAME	TERMINAL NUMBER	SIGNAL NAME	TERMINAL NUMBER
AD0	W13	A_A5	B06	$\overline{A_INPACK}$	E07	$\overline{B_CE1}$	M18
AD1	N11	A_A6	G09	$\overline{A_IORD}$	C11	$\overline{B_CE2}$	L19
AD2	U12	A_A7	B07	$\overline{A_IOWR}$	E11	B_D0	C16
AD3	V12	A_A8	B10	$\overline{A_OE}$	C12	B_D1	B16
AD4	W12	A_A9	G11	A_READY(IREQ)	C04	B_D2	A15
AD5	R11	A_A10	A12	$\overline{A_REG}$	C05	B_D3	P19
AD6	U11	A_A11	B11	A_RESET	A06	B_D4	P17
AD7	V11	A_A12	F09	$\overline{A_USB_EN}$	E02	B_D5	M13
AD8	N10	A_A13	G10	$\overline{A_VS1}$	A03	B_D6	N18
AD9	R10	A_A14	F10	$\overline{A_VS2}$	E08	B_D7	M15
AD10	U10	A_A15	B08	$\overline{A_WAIT}$	B03	B_D8	A17
AD11	V10	A_A16	E09	$\overline{A_WE}$	B09	B_D9	A16
AD12	N09	A_A17	A10	A_WP(IOIS16)	C03	B_D10	B15
AD13	R09	A_A18	C10	B_A0	D17	B_D11	P18
AD14	U09	A_A19	E10	B_A1	C19	B_D12	N15
AD15	V09	A_A20	A09	B_A2	D18	B_D13	N19
AD16	R07	A_A21	C09	B_A3	E17	B_D14	N17
AD17	U06	A_A22	A08	B_A4	E19	B_D15	M14
AD18	V06	A_A23	C08	B_A5	G15	$\overline{B_INPACK}$	E18
AD19	W06	A_A24	A07	B_A6	F18	$\overline{B_IORD}$	L15
AD20	P06	A_A25	C07	B_A7	H15	$\overline{B_IOWR}$	L13
AD21	R06	A_BVD1(STSCHG/RI)	B02	B_A8	K14	$\overline{B_OE}$	L18
AD22	U05	A_BVD2(SPKR)	A02	B_A9	K18	B_READY(IREQ)	B19
AD23	V05	$\overline{A_CD1}$	C15	B_A10	M17	$\overline{B_REG}$	F15
AD24	V04	$\overline{A_CD2}$	E05	B_A11	L17	B_RESET	F17
AD25	U04	$\overline{A_CE1}$	G12	B_A12	G18	$\overline{B_USB_EN}$	E01
AD26	V03	$\overline{A_CE2}$	B12	B_A13	K13	$\overline{B_VS1}$	C18
AD27	W02	A_D0	B01	B_A14	J18	$\overline{B_VS2}$	F19
AD28	U03	A_D1	D03	B_A15	J13	$\overline{B_WAIT}$	B18
AD29	V02	A_D2	D02	B_A16	H18	$\overline{B_WE}$	J15
AD30	V01	A_D3	E14	B_A17	K17	B_WP(IOIS16)	A18
AD31	U02	A_D4	B14	B_A18	K15	C/BE0	W11
AGND	N12	A_D5	E13	B_A19	J19	C/BE1	W09
AGND	U14	A_D6	A13	B_A20	J17	C/BE2	W07
AGND	U16	A_D7	C13	B_A21	H19	C/BE3	W04
AVDD	R13	A_D8	C02	B_A22	H17	CLK_48	M01
AVDD	R14	A_D9	C01	B_A23	G19	CLOCK	L06
AVDD	V17	A_D10	D01	B_A24	G17	CNA	P15
A_A0	B04	A_D11	A14	B_A25	H14	CPS	M11
A_A1	A04	A_D12	C14	B_BVD1(STSCHG/RI)	F14	DATA	N01
A_A2	E06	A_D13	F12	B_BVD2(SPKR)	C17	\overline{DEVSEL}	N08
A_A3	B05	A_D14	B13	$\overline{B_CD1}$	N13	\overline{FRAME}	V07
A_A4	C06	A_D15	E12	$\overline{B_CD2}$	B17	GND	G07

Table 2–3. 16-Bit PC Card Signal Names Sorted Alphabetically (Continued)

SIGNAL NAME	TERMINAL NUMBER	SIGNAL NAME	TERMINAL NUMBER	SIGNAL NAME	TERMINAL NUMBER	SIGNAL NAME	TERMINAL NUMBER
GND	G08	NC	W17	SD_CMD	J03	TPBIAS0	U15
GND	G13	PAR	P09	SD_DAT0	G01	TPBIAS1	U17
GND	H13	PCLK	P05	SD_DAT0	H03	TPB0N	W14
GND	J09	PC0(TEST1)	R12	SD_DAT1	G02	TPB0P	V14
GND	J10	PC1(TEST2)	U13	SD_DAT1	J06	TPB1N	W16
GND	J11	PC2(TEST3)	V13	SD_DAT2	G03	TPB1P	V16
GND	K09	$\overline{\text{PERR}}$	V08	SD_DAT2	J01	$\overline{\text{TRDY}}$	R08
GND	K10	PHY_TEST_MA	R17	SD_DAT3	H05	VCC	H08
GND	K11	$\overline{\text{PRST}}$	R03	SD_DAT3	J02	VCC	H09
GND	L08	$\overline{\text{REQ}}$	U01	SD_WP	H07	VCC	H10
GND	L09	$\overline{\text{RI_OUT/PME}}$	T03	$\overline{\text{SERR}}$	U08	VCC	H11
GND	L10	RSVD	T19	SM_ALE	J03	VCC	H12
GND	L11	R0	U18	$\overline{\text{SM_CD}}$	F06	VCC	J08
GND	L12	R1	U19	$\overline{\text{SM_CE}}$	H07	VCC	J12
GND	M08	SCL	M03	SM_CLE	J07	VCC	K08
$\overline{\text{GNT}}$	T02	$\overline{\text{SC_CD}}$	L02	SM_D0	G01	VCC	K12
$\overline{\text{GRST}}$	T01	SC_CLK	K05	SM_D1	G02	VCC	M07
IDSEL	W05	SC_DATA	L01	SM_D2	G03	VCC	M09
$\overline{\text{IRDY}}$	U07	SC_FCB	K02	SM_D3	H05	VCC	M10
LATCH	N02	SC_GPIO0	J07	SM_D4	H03	VCC	M12
MC_PWR_CTRL_0	F01	SC_GPIO1	J05	SM_D5	J06	VCC	N07
MC_PWR_CTRL_1	F02	SC_GPIO2	J03	SM_D6	J01	VCCA	A05
MFUNC0	N03	SC_GPIO3	J02	SM_D7	J02	VCCA	A11
MFUNC1	M05	SC_GPIO4	J01	$\overline{\text{SM_EL_WP}}$	G05	VCCB	D19
MFUNC2	P01	SC_GPIO5	J06	$\overline{\text{SM_PHYS_WP}}$	K02	VCCB	K19
MFUNC3	P02	SC_GPIO6	H03	$\overline{\text{SM_R/B}}$	K01	VCCP	W03
MFUNC4	P03	$\overline{\text{SC_OC}}$	L03	$\overline{\text{SM_RE}}$	J05	VCCP	W10
MFUNC5	N05	SC_PWR_CTRL	L05	$\overline{\text{SM_WE}}$	F03	VDPLL_15	T18
MFUNC6	R01	SC_RFU	K01	SPKROUT	L07	VDPLL_33	V19
$\overline{\text{MS_BS}}$	F03	SC_RST	K03	$\overline{\text{STOP}}$	W08	$\overline{\text{VR_EN}}$	H02
$\overline{\text{MS_CD}}$	F05	SC_VCC_5V	K07	$\overline{\text{SUSPEND}}$	R02	VR_PORT	H01
MS_CLK	G05	SDA	M02	TEST0	P12	VR_PORT	M19
MS_DATA1	G02	$\overline{\text{SD_CD}}$	E03	TPA0N	W15	VSSPLL	P14
MS_DATA2	G03	SD_CLK	G05	TPA0P	V15	VSSPLL	T17
MS_DATA3	H05	SD_CLK	J05	TPA1N	W18	XI	R18
MS_SDIO(DATA0)	G01	SD_CMD	F03	TPA1P	V18	XO	R19

2.1 Detailed Terminal Descriptions

Please see Table 2–4 through Table 2–19 for more detailed terminal descriptions. The following list defines the column headings and the abbreviations used in the detailed terminal description tables.

- I/O Type:
 - I = Digital input
 - O = Digital output
 - I/O = Digital input/output
 - AI = Analog input
 - PWR = Power
 - GND = Ground
- Input/Output Description:
 - AF = Analog feedthrough
 - TTLI1 = 5-V tolerant TTL input buffer
 - TTLI2 = 5-V tolerant TTL input buffer with hysteresis
 - TTLO1 = 5-V tolerant low-noise 4-mA TTL output buffer
 - PCII1 = 5-V tolerant PCI input buffer
 - PCII2 = 5-V tolerant PCI input buffer
 - PCII3 = 5-V tolerant PCI input buffer
 - PCII4 = 5-V tolerant PCI input buffer
 - PCII5 = 5-V tolerant PCI input buffer
 - PCIO2 = 5-V tolerant PCI output buffer
 - PCIO4 = 5-V tolerant PCI output buffer
 - PCIO5 = 5-V tolerant PCI output buffer
 - LVCI1 = LVCMOS input buffer
 - LVCO1 = Low-noise 4-mA LVCMOS open drain output buffer
 - LVCO2 = Low-noise 4-mA LVCMOS open drain output buffer
 - LVCO3 = Low-noise 8-mA LVCMOS open drain output buffer
- PU/PD signifies whether the terminal has an internal pullup or pulldown resistor. These pullups are disabled and enabled by design when appropriate to preserve power.
 - PD1 = 20- μ A failsafe pulldown
 - PD2 = 100- μ A failsafe pulldown
 - PU1 = 200- μ A pullup
 - PU2 = 100- μ A pullup
 - PU3 = 100- μ A pullup
 - PU4 = 100- μ A pullup
 - SW = Switchable 50- μ A pullup/200- μ A pulldown implemented depending on situation
- Power Rail signifies which rail the terminal is clamped to for protection.
- External Components signifies any external components needed for normal operation.
- Pin Strapping (If Unused) signifies how the terminal must be implemented if its function is not needed.

The terminals are grouped in tables by functionality, such as PCI system function, power-supply function, etc. The terminal numbers are also listed for convenient reference.

Table 2–4. Power Supply Terminals

Output description, internal pullup/pulldown resistors, and the power rail designation are not applicable for the power supply terminals.

TERMINAL		DESCRIPTION	I/O TYPE	INPUT	EXTERNAL COMPONENTS	PIN STRAPPING (IF UNUSED)
NAME	NUMBER					
AGND	N12, U14, U16	Analog circuit ground terminals	GND			NA
AVDD	R13, R14, V17	Analog circuit power terminals. A parallel combination of high frequency decoupling capacitors near each terminal is suggested, such as 0.1 μ F and 0.001 μ F. Lower frequency 10- μ F filtering capacitors are also recommended. These supply terminals are separated from VDPLL_33 internal to the controller to provide noise isolation. They must be tied to a low-impedance point on the circuit board.	GND		0.1- μ F, 0.001- μ F, and 10- μ F capacitors tied to AGND	NA
GND	G07, G08, G13, H13, J09, J10, J11, K09, K10, K11, L08, L09, L10, L11, L12, M08	Digital ground terminal	GND			NA
VCC	H08, H09, H10, H11, H12, J08, J12, K08, K12, M07, M09, M10, M12, N07	Power supply terminal for I/O and internal voltage regulator	PWR			NA
VCCA	A05, A11	Clamp voltage for PC Card A interface. Matches card A signaling environment, 5 V or 3.3 V	PWR			Float
VCCB	D19, K19	Clamp voltage for PC Card B interface. Matches card B signaling environment, 5 V or 3.3 V	PWR			Float
VCCP	W03, W10	Clamp voltage for PCI and miscellaneous I/O, 5 V or 3.3 V	PWR			NA
VDPLL_15	T18	1.5-V PLL circuit power terminal. An external capacitor (0.1 μ F recommended) must be placed between terminals T18 and T17 (VSSPLL) when the internal voltage regulator is enabled ($VR_EN = 0$ V). When the internal voltage regulator is disabled, 1.5-V must be supplied to this terminal and a parallel combination of high frequency decoupling capacitors near the terminal is suggested, such as 0.1 μ F and 0.001 μ F. Lower frequency 10- μ F filtering capacitors are also recommended.			0.1- μ F, 0.001- μ F, and 10- μ F capacitors tied to VSPLL	NA
VDPLL_33	V19	3.3-V PLL circuit power terminal. A parallel combination of high frequency decoupling capacitors near the terminal is suggested, such as 0.1 μ F and 0.001 μ F. Lower frequency 10- μ F filtering capacitors are also recommended. This supply terminal is separated from AVDD internal to the controller to provide noise isolation. It must be tied to a low-impedance point on the circuit board. When the internal voltage regulator is disabled ($VR_EN = 3.3$ V), no voltage is required to be supplied to this terminal.	PWR		0.1- μ F, 0.001- μ F, and 10- μ F capacitors tied to VSPLL	NA
VR_EN	H02	Internal voltage regulator enable. Active low	FT	FT	Pulled directly to GND	NA
VR_PORT	H01, M19	1.5-V output from the internal voltage regulator	PWR		0.1- μ F capacitor tied to GND	NA
VSSPLL	P14, T17	PLL circuit ground terminal. This terminal must be tied to the low-impedance circuit board ground plane.	GND			NA

Table 2–5. PC Card Power Switch Terminals

Internal pullup/pulldown resistors, power rail designation, and pin strapping are not applicable for the power switch terminals.

TERMINAL		DESCRIPTION	I/O TYPE	INPUT	OUTPUT	EXTERNAL COMPONENTS
NAME	NO.					
CLOCK	L06	Power switch clock. Information on the DATA line is sampled at the rising edge of CLOCK. CLOCK defaults to an input, but can be changed to an output by using bit 27 (P2CCLK) in the system control register (offset 80h, see Section 4.29).	I/O	TTL1	TTLO1	PCMCIA power switch
DATA	N01	Power switch data. DATA is used to communicate socket power control information serially to the power switch.	O		LVCO1	PCMCIA power switch
LATCH	N02	Power switch latch. LATCH is asserted by the controller to indicate to the power switch that the data on the DATA line is valid.	O		LVCO1	PCMCIA power switch

Table 2–6. PCI System Terminals

Internal pullup/pulldown resistors and pin strapping are not applicable for the PCI terminals.

TERMINAL		DESCRIPTION	I/O TYPE	INPUT	POWER RAIL	EXTERNAL COMPONENTS
NAME	NO.					
$\overline{\text{GRST}}$	T01	Global reset. When the global reset is asserted, the $\overline{\text{GRST}}$ signal causes the controller to place all output buffers in a high-impedance state and reset all internal registers. When $\overline{\text{GRST}}$ is asserted, the controller is completely in its default state. For systems that require wake-up from D3, $\overline{\text{GRST}}$ is normally asserted only during initial boot. $\overline{\text{PRST}}$ must be asserted following initial boot so that PME context is retained when transitioning from D3 to D0. For systems that do not require wake-up from D3, $\overline{\text{GRST}}$ must be tied to $\overline{\text{PRST}}$. When the $\overline{\text{SUSPEND}}$ mode is enabled, the controller is protected from the $\overline{\text{GRST}}$, and the internal registers are preserved. All outputs are placed in a high-impedance state, but the contents of the registers are preserved.	I	LVC12		Power-on reset or tied to $\overline{\text{PRST}}$
PCLK	P05	PCI bus clock. PCLK provides timing for all transactions on the PCI bus. All PCI signals are sampled at the rising edge of PCLK.	I	PCI13	VCCP	
$\overline{\text{PRST}}$	R03	PCI bus reset. When the PCI bus reset is asserted, $\overline{\text{PRST}}$ causes the controller to place all output buffers in a high-impedance state and reset some internal registers. When $\overline{\text{PRST}}$ is asserted, the controller is completely nonfunctional. After $\overline{\text{PRST}}$ is deasserted, the controller is in a default state. When $\overline{\text{SUSPEND}}$ and $\overline{\text{PRST}}$ are asserted, the controller is protected from $\overline{\text{PRST}}$ clearing the internal registers. All outputs are placed in a high-impedance state, but the contents of the registers are preserved.	I	PCI13	VCCP	

Table 2–7. PCI Address and Data Terminals

Internal pullup/pulldown resistors and pin strapping are not applicable for the PCI address and data terminals.

TERMINAL		DESCRIPTION	I/O TYPE	INPUT	OUTPUT	POWER RAIL
NAME	NO.					
AD31	U02	PCI address/data bus. These signals make up the multiplexed PCI address and data bus on the primary interface. During the address phase of a primary-bus PCI cycle, AD31–AD0 contain a 32-bit address or other destination information. During the data phase, AD31–AD0 contain data.	I/O	PCI13	PCIO3	VCCP
AD30	V01					
AD29	V02					
AD28	U03					
AD27	W02					
AD26	V03					
AD25	U04					
AD24	V04					
AD23	V05					
AD22	U05					
AD21	R06					
AD20	P06					
AD19	W06					
AD18	V06					
AD17	U06					
AD16	R07					
AD15	V09					
AD14	U09					
AD13	R09					
AD12	N09					
AD11	V10					
AD10	U10					
AD9	R10					
AD8	N10					
AD7	V11					
AD6	U11					
AD5	R11					
AD4	W12					
AD3	V12					
AD2	U12					
AD1	N11					
AD0	W13					
$\overline{C/BE3}$	W04	PCI-bus commands and byte enables. These signals are multiplexed on the same PCI terminals. During the address phase of a primary-bus PCI cycle, $\overline{C/BE3}$ – $\overline{C/BE0}$ define the bus command. During the data phase, this 4-bit bus is used as byte enables. The byte enables determine which byte paths of the full 32-bit data bus carry meaningful data. $\overline{C/BE0}$ applies to byte 0 (AD7–AD0), $\overline{C/BE1}$ applies to byte 1 (AD15–AD8), $\overline{C/BE2}$ applies to byte 2 (AD23–AD16), and $\overline{C/BE3}$ applies to byte 3 (AD31–AD24).	I/O	PCI13	PCIO3	VCCP
$\overline{C/BE2}$	W07					
$\overline{C/BE1}$	W09					
$\overline{C/BE0}$	W11					
PAR	P09	PCI-bus parity. In all PCI-bus read and write cycles, the controller calculates even parity across the AD31–AD0 and $\overline{C/BE3}$ – $\overline{C/BE0}$ buses. As an initiator during PCI cycles, the controller outputs this parity indicator with a one-PCLK delay. As a target during PCI cycles, the controller compares its calculated parity to the parity indicator of the initiator. A compare error results in the assertion of a parity error (\overline{PERR}).	I/O	PCI13	PCIO3	VCCP

Table 2–8. PCI Interface Control Terminals

Internal pullup/pulldown resistors and pin strapping are not applicable for the PCI interface control terminals.

TERMINAL		DESCRIPTION	I/O TYPE	INPUT	OUTPUT	POWER RAIL	EXTERNAL COMPONENTS
NAME	NO.						
$\overline{\text{DEVSEL}}$	N08	PCI device select. The controller asserts $\overline{\text{DEVSEL}}$ to claim a PCI cycle as the target device. As a PCI initiator on the bus, the controller monitors $\overline{\text{DEVSEL}}$ until a target responds. If no target responds before timeout occurs, then the controller terminates the cycle with an initiator abort.	I/O	PCII3	PCIO3	V _{CCP}	Pullup resistor per PCI specification
$\overline{\text{FRAME}}$	V07	PCI cycle frame. $\overline{\text{FRAME}}$ is driven by the initiator of a bus cycle. $\overline{\text{FRAME}}$ is asserted to indicate that a bus transaction is beginning, and data transfers continue while this signal is asserted. When $\overline{\text{FRAME}}$ is deasserted, the PCI bus transaction is in the final data phase.	I/O	PCII3	PCIO3	V _{CCP}	Pullup resistor per PCI specification
$\overline{\text{GNT}}$	T02	PCI bus grant. $\overline{\text{GNT}}$ is driven by the PCI bus arbiter to grant the controller access to the PCI bus after the current data transaction has completed. $\overline{\text{GNT}}$ may or may not follow a PCI bus request, depending on the PCI bus parking algorithm.	I	PCII3		V _{CCP}	
IDSEL	W05	Initialization device select. IDSEL selects the controller during configuration space accesses. IDSEL can be connected to one of the upper 24 PCI address lines on the PCI bus.	I	PCII3		V _{CCP}	
$\overline{\text{IRDY}}$	U07	PCI initiator ready. $\overline{\text{IRDY}}$ indicates the ability of the PCI bus initiator to complete the current data phase of the transaction. A data phase is completed on a rising edge of PCLK where both $\overline{\text{IRDY}}$ and TRDY are asserted. Until IRDY and TRDY are both sampled asserted, wait states are inserted.	I/O	PCII3	PCIO3	V _{CCP}	Pullup resistor per PCI specification
$\overline{\text{PERR}}$	V08	PCI parity error indicator. $\overline{\text{PERR}}$ is driven by a PCI controller to indicate that calculated parity does not match PAR when PERR is enabled through bit 6 of the command register (PCI offset 04h, see Section 4.4).	I/O	PCII3	PCIO3	V _{CCP}	Pullup resistor per PCI specification
$\overline{\text{REQ}}$	U01	PCI bus request. $\overline{\text{REQ}}$ is asserted by the controller to request access to the PCI bus as an initiator.	O		PCIO3	V _{CCP}	
$\overline{\text{SERR}}$	U08	PCI system error. $\overline{\text{SERR}}$ is an output that is pulsed from the controller when enabled through bit 8 of the command register (PCI offset 04h, see Section 4.4) indicating a system error has occurred. The controller need not be the target of the PCI cycle to assert this signal. When $\overline{\text{SERR}}$ is enabled in the command register, this signal also pulses, indicating that an address parity error has occurred on a CardBus interface.	O		PCIO3	V _{CCP}	Pullup resistor per PCI specification
$\overline{\text{STOP}}$	W08	PCI cycle stop signal. $\overline{\text{STOP}}$ is driven by a PCI target to request the initiator to stop the current PCI bus transaction. $\overline{\text{STOP}}$ is used for target disconnects and is commonly asserted by target devices that do not support burst data transfers.	I/O	PCII3	PCIO3	V _{CCP}	Pullup resistor per PCI specification
$\overline{\text{TRDY}}$	R08	PCI target ready. $\overline{\text{TRDY}}$ indicates the ability of the primary bus target to complete the current data phase of the transaction. A data phase is completed on a rising edge of PCLK when both $\overline{\text{IRDY}}$ and TRDY are asserted. Until both $\overline{\text{IRDY}}$ and TRDY are asserted, wait states are inserted.	I/O	PCII3	PCIO3	V _{CCP}	Pullup resistor per PCI specification

Table 2–9. Multifunction and Miscellaneous Terminals

The power rail designation is not applicable for the multifunction and miscellaneous terminals.

TERMINAL		DESCRIPTION	I/O TYPE	INPUT	OUTPUT	PU/PD	EXTERNAL COMPONENTS	PIN STRAPPING (IF UNUSED)
NAME	NO.							
<u>A_USB_EN</u> <u>B_USB_EN</u>	E02 E01	USB enable. These output terminals control an external CBT switch for each socket when an USB card is inserted into the socket.	O		LVCO1		CBT switch	Float
CLK_48	M01	A 48-MHz clock must be connected to this terminal.	I	LVC11			48 MHz clock source	
MFUNC0	N03	Multifunction terminals 0–6. See Section 4.36, <i>Multifunction Routing Status Register</i> , for configuration details.	I/O	PCII3	PCIO3			10-kΩ to 47-kΩ pullup resistor
MFUNC1	M05		I/O	PCII3	PCIO3			10-kΩ to 47-kΩ pullup resistor
MFUNC2	P01		I/O	PCII3	PCIO3			10-kΩ to 47-kΩ pullup resistor
MFUNC3	P02		I/O	PCII3	PCIO3			10-kΩ to 47-kΩ pullup resistor
MFUNC4	P03		I/O	PCII3	PCIO3			10-kΩ to 47-kΩ pullup resistor
MFUNC5	N05		I/O	PCII3	PCIO3			10-kΩ to 47-kΩ pullup resistor
MFUNC6	R01		I/O	PCII3	PCIO3			10-kΩ to 47-kΩ pullup resistor
NC	W17	Reserved. This terminal has no connection anywhere within the package.						Float
PHY_TEST_MA	R17	PHY test pin. Not for customer use. It must be pulled high with a 4.7-kΩ resistor.	I	LVC11		PD1		NA
<u>RI_OUT/</u> <u>PME</u>	T03	Ring indicate out and power management event output. This terminal provides an output for ring-indicate or PME signals.	O		LVCO2		Pullup resistor per PCI specification	NA
RSVD	T19	Reserved. This terminal has no connection anywhere within the package.	—					Float
SCL	M03	Serial clock. At <u>PRST</u> , the SCL signal is sampled to determine if a two-wire serial ROM is present. If the serial ROM is detected, then this terminal provides the serial clock signaling and is implemented as open-drain. For normal operation (a ROM is implemented in the design), this terminal must be pulled high to the ROM V_{DD} with a 2.7-kΩ resistor. Otherwise, it must be pulled low to ground with a 220-Ω resistor.	I/O	TTLI1	TTLO1		Pullup resistor per I ² C specification (value depends on EEPROM, typically 2.7 kΩ)	Tie to GND if not using EEPROM
SDA	M02	Serial data. This terminal is implemented as open-drain, and for normal operation (a ROM is implemented in the design), this terminal must be pulled high to the ROM V_{DD} with a 2.7-kΩ resistor. Otherwise, it must be pulled low to ground with a 220-Ω resistor.	I/O	TTLI1	TTLO1		Pullup resistor per I ² C specification (value depends on EEPROM, typically 2.7 kΩ)	Tie to GND if not using EEPROM
SPKROUT	L07	Speaker output. SPKROUT is the output to the host system that can carry SPKR or CAUDIO through the controller from the PC Card interface. SPKROUT is driven as the exclusive-OR combination of card <u>SPKR</u> / <u>CAUDIO</u> inputs.	O		TTLO1		10-kΩ to 47-kΩ pulldown resistor	10-kΩ to 47-kΩ pulldown resistor
<u>SUSPEND</u>	R02	Suspend. <u>SUSPEND</u> protects the internal registers from clearing when the <u>GRST</u> or <u>PRST</u> signal is asserted. See Section 3.8.6, <i>Suspend Mode</i> , for details.	I	PCII6			10-kΩ to 47-kΩ pullup resistor	10-kΩ to 47-kΩ pullup resistor
TEST0	P12	Terminal TEST0 is used for factory test of the controller and must be connected to ground for normal operation.	I/O	LVC11		PD1		Tie to GND

Table 2–10. 16-Bit PC Card Address and Data Terminals

External components are not applicable for the 16-bit PC Card address and data terminals. If any 16-bit PC Card address and data terminal is unused, then the terminal may be left floating.

SOCKET A TERMINAL		SOCKET B TERMINAL†		DESCRIPTION	I/O TYPE	POWER RAIL
NAME	NO.	NAME	NO.			
A_A25	C07	B_A25	H14	PC Card address. 16-bit PC Card address lines. A25 is the most significant bit.	O	VCCA/ VCCB
A_A24	A07	B_A24	G17			
A_A23	C08	B_A23	G19			
A_A22	A08	B_A22	H17			
A_A21	C09	B_A21	H19			
A_A20	A09	B_A20	J17			
A_A19	E10	B_A19	J19			
A_A18	C10	B_A18	K15			
A_A17	A10	B_A17	K17			
A_A16	E09	B_A16	H18			
A_A15	B08	B_A15	J13			
A_A14	F10	B_A14	J18			
A_A13	G10	B_A13	K13			
A_A12	F09	B_A12	G18			
A_A11	B11	B_A11	L17			
A_A10	A12	B_A10	M17			
A_A9	G11	B_A9	K18			
A_A8	B10	B_A8	K14			
A_A7	B07	B_A7	H15			
A_A6	G09	B_A6	F18			
A_A5	B06	B_A5	G15			
A_A4	C06	B_A4	E19			
A_A3	B05	B_A3	E17			
A_A2	E06	B_A2	D18			
A_A1	A04	B_A1	C19			
A_A0	B04	B_A0	D17			
A_D15	E12	B_D15	M14	PC Card data. 16-bit PC Card data lines. D15 is the most significant bit.	I/O	VCCA/ VCCB
A_D14	B13	B_D14	N17			
A_D13	F12	B_D13	N19			
A_D12	C14	B_D12	N15			
A_D11	A14	B_D11	P18			
A_D10	D01	B_D10	B15			
A_D9	C01	B_D9	A16			
A_D8	C02	B_D8	A17			
A_D7	C13	B_D7	M15			
A_D6	A13	B_D6	N18			
A_D5	E13	B_D5	M13			
A_D4	B14	B_D4	P17			
A_D3	E14	B_D3	P19			
A_D2	D02	B_D2	A15			
A_D1	D03	B_D1	B16			
A_D0	B01	B_D0	C16			

† These terminals are reserved for the PCI7611 and PCI7411 controllers.

Table 2–11. 16-Bit PC Card Interface Control Terminals

External components are not applicable for the 16-bit PC Card interface control terminals. If any 16-bit PC Card interface control terminal is unused, then the terminal may be left floating.

SKT A TERMINAL		SKT B TERMINAL†		DESCRIPTION	I/O TYPE	POWER RAIL
NAME	NO.	NAME	NO.			
$\overline{A_BVD1}$ (STSCHG/RI)	B02	$\overline{B_BVD1}$ (STSCHG/RI)	F14	Battery voltage detect 1. BVD1 is generated by 16-bit memory PC Cards that include batteries. BVD1 is used with BVD2 as an indication of the condition of the batteries on a memory PC Card. Both BVD1 and BVD2 are high when the battery is good. When BVD2 is low and BVD1 is high, the battery is weak and must be replaced. When BVD1 is low, the battery is no longer serviceable and the data in the memory PC Card is lost. See Section 5.6, <i>ExCA Card Status-Change Interrupt Configuration Register</i> , for enable bits. See Section 5.5, <i>ExCA Card Status-Change Register</i> , and Section 5.2, <i>ExCA Interface Status Register</i> , for the status bits for this signal. Status change. \overline{STSCHG} alerts the system to a change in the READY, write protect, or battery voltage dead condition of a 16-bit I/O PC Card. Ring indicate. \overline{RI} is used by 16-bit modem cards to indicate a ring detection.	I	VCCA/ VCCB
$\overline{A_BVD2}$ (SPKR)	A02	$\overline{B_BVD2}$ (SPKR)	C17	Battery voltage detect 2. BVD2 is generated by 16-bit memory PC Cards that include batteries. BVD2 is used with BVD1 as an indication of the condition of the batteries on a memory PC Card. Both BVD1 and BVD2 are high when the battery is good. When BVD2 is low and BVD1 is high, the battery is weak and must be replaced. When BVD1 is low, the battery is no longer serviceable and the data in the memory PC Card is lost. See Section 5.6, <i>ExCA Card Status-Change Interrupt Configuration Register</i> , for enable bits. See Section 5.5, <i>ExCA Card Status-Change Register</i> , and Section 5.2, <i>ExCA Interface Status Register</i> , for the status bits for this signal. Speaker. SPKR is an optional binary audio signal available only when the card and socket have been configured for the 16-bit I/O interface. The audio signals from cards A and B are combined by the controller and are output on SPKROUT. DMA request. BVD2 can be used as the DMA request signal during DMA operations to a 16-bit PC Card that supports DMA. The PC Card asserts BVD2 to indicate a request for a DMA operation.	I	VCCA/ VCCB
$\overline{A_CD1}$ $\overline{A_CD2}$	C15 E05	$\overline{B_CD1}$ $\overline{B_CD2}$	N13 B17	Card detect 1 and card detect 2. CD1 and CD2 are internally connected to ground on the PC Card. When a PC Card is inserted into a socket, CD1 and CD2 are pulled low. For signal status, see Section 5.2, <i>ExCA Interface Status Register</i> .	I	
$\overline{A_CE1}$ $\overline{A_CE2}$	G12 B12	$\overline{B_CE1}$ $\overline{B_CE2}$	M18 L19	Card enable 1 and card enable 2. $\overline{CE1}$ and $\overline{CE2}$ enable even- and odd-numbered address bytes. $\overline{CE1}$ enables even-numbered address bytes, and $\overline{CE2}$ enables odd-numbered address bytes.	O	VCCA/ VCCB
$\overline{A_INPACK}$	E07	$\overline{B_INPACK}$	E18	Input acknowledge. \overline{INPACK} is asserted by the PC Card when it can respond to an I/O read cycle at the current address. DMA request. \overline{INPACK} can be used as the DMA request signal during DMA operations from a 16-bit PC Card that supports DMA. If it is used as a strobe, then the PC Card asserts this signal to indicate a request for a DMA operation.	I	VCCA/ VCCB
$\overline{A_IORD}$	C11	$\overline{B_IORD}$	L15	I/O read. \overline{IORD} is asserted by the controller to enable 16-bit I/O PC Card data output during host I/O read cycles. DMA write. \overline{IORD} is used as the DMA write strobe during DMA operations from a 16-bit PC Card that supports DMA. The controller asserts \overline{IORD} during DMA transfers from the PC Card to host memory.	O	VCCA/ VCCB
$\overline{A_IOWR}$	E11	$\overline{B_IOWR}$	L13	I/O write. \overline{IOWR} is driven low by the controller to strobe write data into 16-bit I/O PC Cards during host I/O write cycles. DMA read. \overline{IOWR} is used as the DMA write strobe during DMA operations from a 16-bit PC Card that supports DMA. The controller asserts \overline{IOWR} during transfers from host memory to the PC Card.	O	VCCA/ VCCB

† These terminals are reserved for the PCI7611 and PCI7411 controllers.

Table 2–11. 16-Bit PC Card Interface Control Terminals (Continued)

SKT A TERMINAL		SKT B TERMINAL†		DESCRIPTION	I/O TYPE	POWER RAIL
NAME	NO.	NAME	NO.			
$\overline{A_OE}$	C12	$\overline{B_OE}$	L18	Output enable. \overline{OE} is driven low by the controller to enable 16-bit memory PC Card data output during host memory read cycles. DMA terminal count. \overline{OE} is used as terminal count (TC) during DMA operations to a 16-bit PC Card that supports DMA. The controller asserts \overline{OE} to indicate TC for a DMA write operation.	O	VCCA/ VCCB
A_READY (IREQ)	C04	B_READY (IREQ)	B19	Ready. The ready function is provided when the 16-bit PC Card and the host socket are configured for the memory-only interface. READY is driven low by 16-bit memory PC Cards to indicate that the memory card circuits are busy processing a previous write command. READY is driven high when the 16-bit memory PC Card is ready to accept a new data transfer command. Interrupt request. \overline{IREQ} is asserted by a 16-bit I/O PC Card to indicate to the host that a controller on the 16-bit I/O PC Card requires service by the host software. \overline{IREQ} is high (deasserted) when no interrupt is requested.	I	VCCA/ VCCB
$\overline{A_REG}$	C05	$\overline{B_REG}$	F15	Attribute memory select. \overline{REG} remains high for all common memory accesses. When \overline{REG} is asserted, access is limited to attribute memory (\overline{OE} or \overline{WE} active) and to the I/O space (\overline{IORD} or \overline{IOWR} active). Attribute memory is a separately accessed section of card memory and is generally used to record card capacity and other configuration and attribute information. DMA acknowledge. \overline{REG} is used as a DMA acknowledge (DACK) during DMA operations to a 16-bit PC Card that supports DMA. The controller asserts \overline{REG} to indicate a DMA operation. \overline{REG} is used in conjunction with the DMA read (\overline{IOWR}) or DMA write (\overline{IORD}) strobes to transfer data.	O	VCCA/ VCCB
A_RESET	A06	B_RESET	F17	PC Card reset. RESET forces a hard reset to a 16-bit PC Card.	O	VCCA/ VCCB
$\overline{A_VS1}$ A_VS2	A03 E08	$\overline{B_VS1}$ B_VS2	C18 F19	Voltage sense 1 and voltage sense 2. $\overline{VS1}$ and $\overline{VS2}$, when used in conjunction with each other, determine the operating voltage of the PC Card.	I/O	VCCA/ VCCB
$\overline{A_WAIT}$	B03	$\overline{B_WAIT}$	B18	Bus cycle wait. \overline{WAIT} is driven by a 16-bit PC Card to extend the completion of the memory or I/O cycle in progress.	I	VCCA/ VCCB
$\overline{A_WE}$	B09	$\overline{B_WE}$	J15	Write enable. \overline{WE} is used to strobe memory write data into 16-bit memory PC Cards. \overline{WE} is also used for memory PC Cards that employ programmable memory technologies. DMA terminal count. \overline{WE} is used as a TC during DMA operations to a 16-bit PC Card that supports DMA. The controller asserts \overline{WE} to indicate the TC for a DMA read operation.	O	VCCA/ VCCB
A_WP (IOIS16)	C03	B_WP (IOIS16)	A18	Write protect. WP applies to 16-bit memory PC Cards. WP reflects the status of the write-protect switch on 16-bit memory PC Cards. For 16-bit I/O cards, WP is used for the 16-bit port ($\overline{IOIS16}$) function. I/O is 16 bits. $\overline{IOIS16}$ applies to 16-bit I/O PC Cards. $\overline{IOIS16}$ is asserted by the 16-bit PC Card when the address on the bus corresponds to an address to which the 16-bit PC Card responds, and the I/O port that is addressed is capable of 16-bit accesses. DMA request. WP can be used as the DMA request signal during DMA operations to a 16-bit PC Card that supports DMA. If used, then the PC Card asserts WP to indicate a request for a DMA operation.	I	VCCA/ VCCB

† These terminals are reserved for the PCI7611 and PCI7411 controllers.

Table 2–12. CardBus PC Card Interface System Terminals

A 33-Ω to 47-Ω series damping resistor (per PC Card specification) is the only external component needed for terminals B08 (A_CCLK) and H17 (B_CCLK). If any CardBus PC Card interface system terminal is unused, then the terminal may be left floating.

SKT A TERMINAL		SKT B TERMINAL†		DESCRIPTION	I/O TYPE	INPUT	OUTPUT	PU/PD	POWER RAIL
NAME	NO.	NAME	NO.						
A_CCLK	E09	B_CCLK	H18	CardBus clock. CCLK provides synchronous timing for all transactions on the CardBus interface. All signals except $\overline{\text{CRST}}$, $\overline{\text{CCLKRUN}}$, $\overline{\text{CINT}}$, $\overline{\text{CSTSCHG}}$, $\overline{\text{CAUDIO}}$, $\overline{\text{CCD2}}$, $\overline{\text{CCD1}}$, $\overline{\text{CVS2}}$, and $\overline{\text{CVS1}}$ are sampled on the rising edge of CCLK, and all timing parameters are defined with the rising edge of this signal. CCLK operates at the PCI bus clock frequency, but it can be stopped in the low state or slowed down for power savings.	O		PCIO3		VCCA/ VCCB
$\overline{\text{A_CCLKRUN}}$	C03	$\overline{\text{B_CCLKRUN}}$	A18	CardBus clock run. $\overline{\text{CCLKRUN}}$ is used by a CardBus PC Card to request an increase in the CCLK frequency, and by the controller to indicate that the CCLK frequency is going to be decreased.	I/O	PCI4	PCIO4	PU3	VCCA/ VCCB
$\overline{\text{A_CRST}}$	A06	$\overline{\text{B_CRST}}$	F17	CardBus reset. $\overline{\text{CRST}}$ brings CardBus PC Card-specific registers, sequencers, and signals to a known state. When $\overline{\text{CRST}}$ is asserted, all CardBus PC Card signals are placed in a high-impedance state, and the controller drives these signals to a valid logic level. Assertion can be asynchronous to CCLK, but deassertion must be synchronous to CCLK.	O	PCI4	PCIO4	PU3	VCCA/ VCCB

† These terminals are reserved for the PCI7611 and PCI7411 controllers.

Table 2–13. CardBus PC Card Address and Data Terminals

External components are not applicable for the 16-bit PC Card address and data terminals. If any CardBus PC Card address and data terminal is unused, then the terminal may be left floating.

SKT A TERMINAL		SKT B TERMINAL†		DESCRIPTION	I/O TYPE	INPUT	OUTPUT	POWER RAIL
NAME	NO.	NAME	NO.					
A_CAD31	D01	B_CAD31	B15	CardBus address and data. These signals make up the multiplexed CardBus address and data bus on the CardBus interface. During the address phase of a CardBus cycle, CAD31–CAD0 contain a 32-bit address. During the data phase of a CardBus cycle, CAD31–CAD0 contain data. CAD31 is the most significant bit.	I/O	PCII7	PCIO7	VCCA/ VCCB
A_CAD30	C01	B_CAD30	A16					
A_CAD29	D03	B_CAD29	B16					
A_CAD28	C02	B_CAD28	A17					
A_CAD27	B01	B_CAD27	C16					
A_CAD26	B04	B_CAD26	D17					
A_CAD25	A04	B_CAD25	C19					
A_CAD24	E06	B_CAD24	D18					
A_CAD23	B05	B_CAD23	E17					
A_CAD22	C06	B_CAD22	E19					
A_CAD21	B06	B_CAD21	G15					
A_CAD20	G09	B_CAD20	F18					
A_CAD19	C07	B_CAD19	H14					
A_CAD18	B07	B_CAD18	H15					
A_CAD17	A07	B_CAD17	G17					
A_CAD16	A10	B_CAD16	K17					
A_CAD15	E11	B_CAD15	L13					
A_CAD14	G11	B_CAD14	K18					
A_CAD13	C11	B_CAD13	L15					
A_CAD12	B11	B_CAD12	L17					
A_CAD11	C12	B_CAD11	L18					
A_CAD10	B12	B_CAD10	L19					
A_CAD9	A12	B_CAD9	M17					
A_CAD8	E12	B_CAD8	M14					
A_CAD7	C13	B_CAD7	M15					
A_CAD6	F12	B_CAD6	N19					
A_CAD5	A13	B_CAD5	N18					
A_CAD4	C14	B_CAD4	N15					
A_CAD3	E13	B_CAD3	M13					
A_CAD2	A14	B_CAD2	P18					
A_CAD1	B14	B_CAD1	P17					
A_CAD0	E14	B_CAD0	P19					
A_CC/BE3	C05	B_CC/BE3	F15	CardBus bus commands and byte enables. CC/BE3–CC/BE0 are multiplexed on the same CardBus terminals. During the address phase of a CardBus cycle, CC/BE3–CC/BE0 define the bus command. During the data phase, this 4-bit bus is used as byte enables. The byte enables determine which byte paths of the full 32-bit data bus carry meaningful data. CC/BE0 applies to byte 0 (CAD7–CAD0), CC/BE1 applies to byte 1 (CAD15–CAD8), CC/BE2 applies to byte 2 (CAD23–CAD16), and CC/BE3 applies to byte 3 (CAD31–CAD24).	I/O	PCII7	PCIO7	VCCA/ VCCB
A_CC/BE2	F09	B_CC/BE2	G18					
A_CC/BE1	B10	B_CC/BE1	K14					
A_CC/BE0	G12	B_CC/BE0	M18					
A_CPAR	G10	B_CPAR	K13	CardBus parity. In all CardBus read and write cycles, the controller calculates even parity across the CAD and CC/BE buses. As an initiator during CardBus cycles, the controller outputs CPAR with a one-CCLK delay. As a target during CardBus cycles, the controller compares its calculated parity to the parity indicator of the initiator; a compare error results in a parity error assertion.	I/O	PCII7	PCIO7	VCCA/ VCCB

† These terminals are reserved for the PCI7611 and PCI7411 controllers.

Table 2–14. CardBus PC Card Interface Control Terminals

If any CardBus PC Card interface control terminal is unused, then the terminal may be left floating.

SKT A TERMINAL		SKT B TERMINAL†		DESCRIPTION	I/O TYPE	INPUT	OUTPUT	PU/PD	POWER RAIL
NAME	NO.	NAME	NO.						
A_AUDIO	A02	B_AUDIO	C17	CardBus audio. CAUDIO is a digital input signal from a PC Card to the system speaker. The controller supports the binary audio mode and outputs a binary signal from the card to SPKROUT.	I	PCI14	PCIO4	PU3	VCCA/ VCCB
A_CBLOCK	E10	B_CBLOCK	J19	CardBus lock. CBLOCK is used to gain exclusive access to a target.	I/O	PCI14	PCIO4	PU3	VCCA/ VCCB
A_CCD1 A_CCD2	C15 E05	B_CCD1 B_CCD2	N13 B17	CardBus detect 1 and CardBus detect 2. CCD1 and CCD2 are used in conjunction with CVS1 and CVS2 to identify card insertion and interrogate cards to determine the operating voltage and card type.	I	TTL12		PU4	
A_CDEVSEL	C09	B_CDEVSEL	H19	CardBus device select. The controller asserts CDEVSEL to claim a CardBus cycle as the target device. As a CardBus initiator on the bus, the controller monitors CDEVSEL until a target responds. If no target responds before timeout occurs, then the controller terminates the cycle with an initiator abort.	I/O	PCI14	PCIO4	PU3	VCCA/ VCCB
A_CFRAME	C08	B_CFRAME	G19	CardBus cycle frame. CFRAME is driven by the initiator of a CardBus bus cycle. CFRAME is asserted to indicate that a bus transaction is beginning, and data transfers continue while this signal is asserted. When CFRAME is deasserted, the CardBus bus transaction is in the final data phase.	I/O	PCI17	PCIO7		VCCA/ VCCB
A_CGNT	B09	B_CGNT	J15	CardBus bus grant. CGNT is driven by the controller to grant a CardBus PC Card access to the CardBus bus after the current data transaction has been completed.	O	PCI17	PCIO7		VCCA/ VCCB
A_CINT	C04	B_CINT	B19	CardBus interrupt. CINT is asserted low by a CardBus PC Card to request interrupt servicing from the host.	I	PCI14	PCIO4	PU3	VCCA/ VCCB
A_CIRDY	B08	B_CIRDY	J13	CardBus initiator ready. CIRDY indicates the ability of the CardBus initiator to complete the current data phase of the transaction. A data phase is completed on a rising edge of CCLK when both CIRDY and CTRDY are asserted. Until CIRDY and CTRDY are both sampled asserted, wait states are inserted.	I/O	PCI14	PCIO4	PU3	VCCA/ VCCB
A_CPERR	F10	B_CPERR	J18	CardBus parity error. CPERR reports parity errors during CardBus transactions, except during special cycles. It is driven low by a target two clocks following the data cycle during which a parity error is detected.	I/O	PCI14	PCIO4	PU3	VCCA/ VCCB
A_CREQ	E07	B_CREQ	E18	CardBus request. CREQ indicates to the arbiter that the CardBus PC Card desires use of the CardBus bus as an initiator.	I	PCI14	PCIO4	PU3	VCCA/ VCCB
A_CSERR	B03	B_CSERR	B18	CardBus system error. CSERR reports address parity errors and other system errors that could lead to catastrophic results. CSERR is driven by the card synchronous to CCLK, but deasserted by a weak pullup; deassertion may take several CCLK periods. The controller can report CSERR to the system by assertion of SERR on the PCI interface.	I	PCI14	PCIO4	PU3	VCCA/ VCCB

† These terminals are reserved for the PCI7611 and PCI7411 controllers.

Table 2–14. CardBus PC Card Interface Control Terminals (Continued)

SKT A TERMINAL		SKT B TERMINAL†		DESCRIPTION	I/O TYPE	INPUT	OUTPUT	PU/PD	POWER RAIL
NAME	NO.	NAME	NO.						
$\overline{\text{A_CSTOP}}$	A09	$\overline{\text{B_CSTOP}}$	J17	CardBus stop. $\overline{\text{CSTOP}}$ is driven by a CardBus target to request the initiator to stop the current CardBus transaction. $\overline{\text{CSTOP}}$ is used for target disconnects, and is commonly asserted by target devices that do not support burst data transfers.	I/O	PCII4	PCIO4	PU3	VCCA/ VCCB
A_CSTSCHG	B02	B_CSTSCHG	F14	CardBus status change. CSTSCHG alerts the system to a change in the card status, and is used as a wake-up mechanism.	I	PCII6		SW1	VCCA/ VCCB
$\overline{\text{A_CTRDY}}$	A08	$\overline{\text{B_CTRDY}}$	H17	CardBus target ready. $\overline{\text{CTRDY}}$ indicates the ability of the CardBus target to complete the current data phase of the transaction. A data phase is completed on a rising edge of CCLK, when both $\overline{\text{CIRDY}}$ and $\overline{\text{CTRDY}}$ are asserted; until this time, wait states are inserted.	I/O	PCII1	PCIO1	PU5	VCCA/ VCCB
A_CVS1 A_CVS2	A03 E08	B_CVS1 B_CVS2	C18 F19	CardBus voltage sense 1 and CardBus voltage sense 2. CVS1 and CVS2 are used in conjunction with CCD1 and CCD2 to identify card insertion and interrogate cards to determine the operating voltage and card type.	I/O	TTLI2	TTLO1	PU4	VCCA/ VCCB

† These terminals are reserved for the PCI7611 and PCI7411 controllers.

Table 2–15. IEEE 1394 Physical Layer Terminals

TERMINAL		DESCRIPTION	I/O TYPE	INPUT	OUTPUT	EXTERNAL COMPONENTS	PIN STRAPPING (IF USED)
NAME	NO.						
CNA	P15	Cable not active. This terminal is asserted high when there are no ports receiving incoming bias voltage. If it is not used, then this terminal must be strapped either to DVDD or GND through a resistor. The CNA terminal can be disabled by setting bit 7 (CNAOUT) of the PCI PHY control register at offset ECh in the PCI configuration space (see Section 7.22, <i>PCI PHY Control Register</i>). This bit is loaded by the serial EEPROM. If an EEPROM is implemented and CNA functionality is needed, then the appropriate bit in the serial EEPROM must be cleared as defined in Table 3–9.	I/O		LVCO1		Tie to GND
CPS	M11	Cable power status input. This terminal is normally connected to cable power through a 400-k Ω resistor. This circuit drives an internal comparator that is used to detect the presence of cable power. If CPS is not used to detect cable power, then this terminal must be pulled to GND.	FT	FT		390-k Ω series resistor to BUSPOWER if providing power through the 1394 port	Pullup to V _{CC} through 1-k Ω resistor
PC0 PC1 PC2	R12 U13 V13	Power class programming inputs. On hardware reset, these inputs set the default value of the power class indicated during self-ID. Programming is done by tying these terminals high or low.	I	LVC11		Pullup resistors if high. Can be tied directly to ground if set to low.	Tie to GND
R0 R1	U18 U19	Current-setting resistor terminals. These terminals are connected to an external resistance to set the internal operating currents and cable driver output currents. A resistance of 6.34 k Ω \pm 1% is required to meet the IEEE Std 1394-1995 output voltage limits.	—			6.34-k Ω \pm 1% resistor between R0 and R1 per 1394 specification	Float Pull directly to V _{CC}
TPA0P TPA0N	V15 W15	Twisted-pair cable A differential signal terminals. Board trace lengths from each pair of positive and negative differential signal pins must be matched and as short as possible to the external load resistors and to the cable connector. For an unused port, TPA+ and TPA– can be left open.	I/O			1394 termination (see reference schematics)	Float
TPA1P TPA1N	V18 W18		I/O			1394 termination (see reference schematics)	Float
TPBIAS0 TPBIAS1	U15 U17	Twisted-pair bias output. This provides the 1.86-V nominal bias voltage needed for proper operation of the twisted-pair cable drivers and receivers and for signaling to the remote nodes that there is an active cable connection. Each of these pins must be decoupled with a 1.0- μ F capacitor to ground.	I/O			1394 termination (see reference schematics)	Float
TPB0P TPB0N	V14 W14	Twisted-pair cable B differential signal terminals. Board trace lengths from each pair of positive and negative differential signal pins must be matched and as short as possible to the external load resistors and to the cable connector. For an unused port, TPB+ and TPB– must be pulled to ground.	I/O			1394 termination (see reference schematics)	Tie to GND
TPB1P TPB1N	V16 W16		I/O			1394 termination (see reference schematics)	Tie to GND
XI XO	R18 R19	Crystal oscillator inputs. These pins connect to a 24.576-MHz parallel resonant fundamental mode crystal. The optimum values for the external shunt capacitors are dependent on the specifications of the crystal used (see Section 3.9.2, <i>Crystal Selection</i>). An external clock input can be connected to the XI terminal. When using an external clock input, the XO terminal must be left unconnected, and the clock must be supplied before the controller is taken out of reset. Refer to Section 3.9.2 for the operating characteristics of the XI terminal.	—			24.576-MHz oscillator (see implementation guide)	Tie to GND Float

Table 2–16. SD/MMC Terminals

If any SD/MMC terminal is unused, then the terminal may be left floating.

TERMINAL		DESCRIPTION	I/O TYPE	INPUT	OUTPUT	PU/ PD	POWER RAIL	EXTERNAL COMPONENTS
NAME	NO.							
MC_PWR_CTRL_0 MC_PWR_CTRL_1	F01 F02	Media card power control for flash media sockets.	O		LVCO1			Power switch or FET to turn power on to FM socket
$\overline{\text{SD_CD}}$	E03	SD/MMC card detect. This input is asserted when SD/MMC cards are inserted.	I	LVCI1		PU2	V _{CC}	
SD_CLK	J05, G05	SD flash clock. This output provides the SD/MMC clock, which operates at 16 MHz.	I/O		TTLO2	SW2	V _{CC}	
SD_CMD	J03, F03	SD flash command. This signal provides the SD command per the <i>SD Memory Card Specifications</i> .	I/O	TTLI2	TTLO2	SW2	V _{CC}	
SD_DAT3 SD_DAT2 SD_DAT1 SD_DAT0	J02, H05 J01, G03 J06, G02 H03, G01	SD flash data [3:0]. These signals provide the SD data path per the <i>SD Memory Card Specifications</i> .	I/O	TTLI2	TTLO2	SW2	V _{CC}	
SD_WP	H07	SD write protect data. This signal indicates that the media inserted in the socket is write protected.	I	TTLI2		SW2	V _{CC}	

Table 2–17. Memory Stick/PRO Terminals

If any Memory Stick/PRO terminal is unused, then the terminal may be left floating.

TERMINAL		DESCRIPTION	I/O TYPE	INPUT	OUTPUT	PU/ PD	POWER RAIL	EXTERNAL COMPONENTS
NAME	NO.							
MC_PWR_CTRL_0 MC_PWR_CTRL_1	F01 F02	Media card power control for flash media sockets.	O		LVCO1			Power switch or FET to turn power on to FM socket
MS_BS	F03	Memory Stick bus state. This signal provides Memory Stick bus state information.	I/O		TTLO2	SW2	V _{CC}	
$\overline{\text{MS_CD}}$	F05	Media Card detect. This input is asserted when a Memory Stick or Memory Stick Pro media is inserted.	I	LVCI1		PU2	V _{CC}	
MS_CLK	G05	Memory Stick clock. This output provides the MS clock, which operates at 16 MHz.	I/O		TTLO2	SW2	V _{CC}	
MS_DATA3 MS_DATA2 MS_DATA1	H05 G03 G02	Memory Stick data [3:1]. These signals provide the Memory Stick data path.	I/O	TTLI2	TTLO2	SW2	V _{CC}	
MS_SDIO (DATA0)	G01	Memory Stick serial data I/O. This signal provides Memory Stick data input/output. Memory Stick data 0.	I/O	TTLI2	TTLO2	SW2	V _{CC}	

Table 2–18. Smart Media/XD Terminals

If any Smart Media/XD terminal is unused, then the terminal may be left floating.

TERMINAL		DESCRIPTION	I/O TYPE	INPUT	OUTPUT	PU/ PD	POWER RAIL	EXTERNAL PARTS
NAME	NO.							
MC_PWR_CTRL_0 MC_PWR_CTRL_1	F01 F02	Media card power control for flash media sockets.	O		LVCO1			Power switch or FET to turn power on to FM socket
SM_ALE	J03	SmartMedia address latch enable. This signal functions as specified in the SmartMedia specification, and is used to latch addresses passed over SM_D7–SM_D0.	O		TTLO2	SW2	VCC	
SM_CD	F06	SmartMedia card detect. This input is asserted when SmartMedia cards are inserted.	I	LVC11		PU2	VCC	
SM_CE	H07	SmartMedia card enable. This signal functions as specified in the SmartMedia specification, and is used to enable the media for a pending transaction.	O		TTLO2	SW2	VCC	
SM_CLE	J07	SmartMedia command latch enable. This signal functions as specified in the SmartMedia specification, and is used to latch commands passed over SM_D7–SM_D0.	O		TTLO2	SW2	VCC	
SM_D7 SM_D6 SM_D5 SM_D4 SM_D3 SM_D2 SM_D1 SM_D0	J02 J01 J06 H03 H05 G03 G02 G01	SmartMedia data terminals. These signals pass data to and from the SmartMedia, and functions as specified in the SmartMedia specifications.	I/O	TTLI2	TTLO2	SW2	VCC	
SM_EL_WP	G05	SmartMedia electrical write protect.	O		TTLO2	SW2	VCC	
SM_PHYS_WP	K02	SmartMedia physical write protect. This input comes from the write protect tab of the SmartMedia card.	I	PCI15	PCIO5	SW3		
SM_RE	J05	SmartMedia read enable. This signal functions as specified in the SmartMedia specification, and is used to latch a read transfer from the card.	O		TTLO2	SW2	VCC	
SM_R/B	K01	SmartMedia read/busy. This signal functions as specified in the SmartMedia specification, and is used to pace data transfers to the card.	I	PCI15	PCIO5	SW3	VCC	
SM_WE	F03	SmartMedia write enable. This signal functions as specified in the SmartMedia specification, and is used to latch a write transfer to the card.	O		TTLO2	SW2	VCC	

Table 2–19. Smart Card Terminals †

If any Smart Card terminal is unused, then the terminal may be left floating, except for SC_VCC_5V which must be connected to 5 V.

TERMINAL		DESCRIPTION	I/O TYPE	INPUT	OUTPUT	PU/ PD	POWER RAIL	EXTERNAL PARTS
NAME	NO.							
SC_CD	L02	Smart Card card detect. This input is asserted when Smart Cards are inserted.	I	TTLI2		SW2	VCC	
SC_CLK	K05	Smart Card clock. The controller drives a 3-MHz clock to the Smart Card interface when enabled.	O		PCIO8			22 kΩ resistor to GND 68 pF capacitor to GND
SC_DATA	L01	Smart Card data input/output	I/O	PCI15	PCIO5	SW3		
SC_OC	L03	Smart Card overcurrent. This input comes from the Smart Card power switch.	I	LVC11		PU2	5 V	
SC_PWR_CTRL	L05	Smart Card power control for the Smart Card socket.	O		LVCO1			Power switch or FET to turn on power to FM socket
SC_FCB	K02	Smart Card function code. The controller does not support synchronous Smart Cards as specified in ISO/IEC 7816-10, and this terminal is in a high-impedance state.	I	PCI15	PCIO5	SW3		
SC_GPIO6 SC_GPIO5 SC_GPIO4 SC_GPIO3 SC_GPIO2 SC_GPIO1 SC_GPIO0	H03 J06 J01 J02 J03 J05 J07	Smart Card general-purpose I/O terminals. These signals can be controlled by firmware and are used as control signals for an external Smart Card interface chip or level shifter.	I/O	TTLI2	TTLO2	SW2	5 V	
SC_RFU	K01	Smart Card reserved. This terminal is in a high-impedance state.	I	PCI15	PCIO5	SW3	5 V	
SC_RST	K03	Smart Card This signal starts and stops the Smart Card reset sequence. The controller asserts this reset when requested by the host.	O		PCIO6			
SC_VCC_5V	K07	Smart Card power terminal	PWR					1 kΩ resistor to 5 V

† These terminals are reserved for the PCI7421 and PCI7411 controllers.

3 Feature/Protocol Descriptions

The following sections give an overview of the PCI7x21/PCI7x11 controller. Figure 3–1 shows the connections to the PCI7x21/PCI7x11 controller. The PCI interface includes all address/data and control signals for PCI protocol. The interrupt interface includes terminals for parallel PCI, parallel ISA, and serialized PCI and ISA signaling.

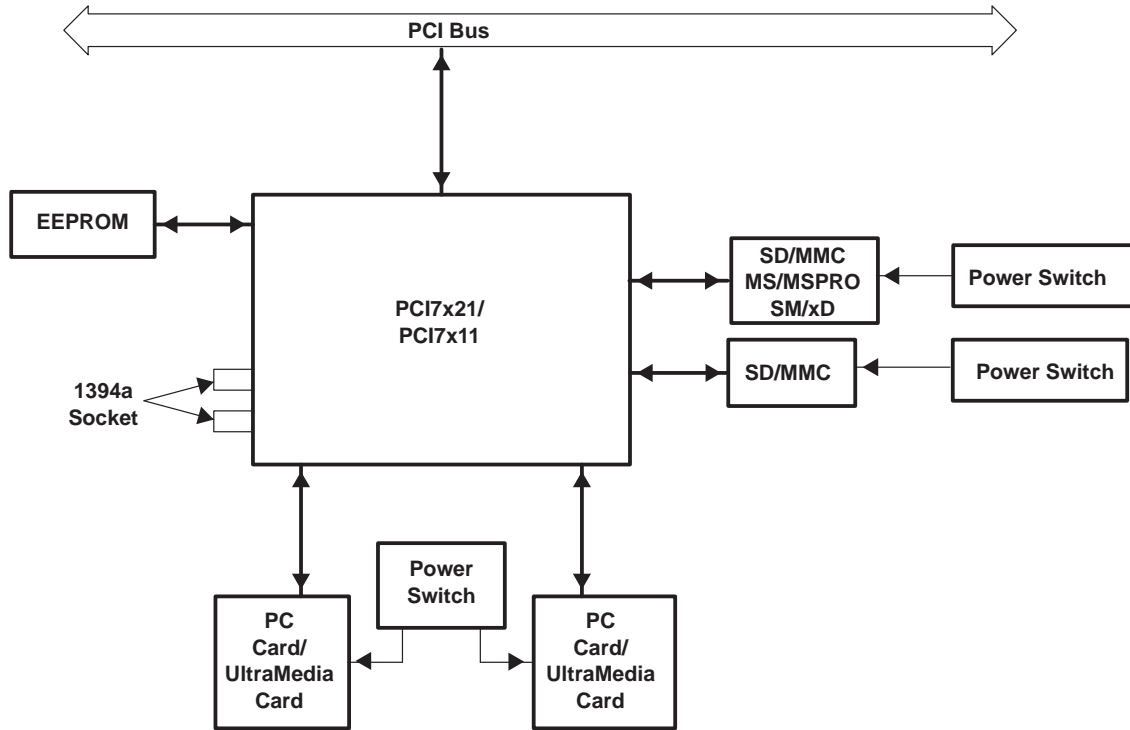


Figure 3–1. PCI7x21/PCI7x11 System Block Diagram

3.1 Power Supply Sequencing

The PCI7x21/PCI7x11 controller contains 3.3-V I/O buffers with 5-V tolerance requiring a core power supply and clamp voltages. The core power supply is always 1.5 V. The clamp voltages can be either 3.3 V or 5 V, depending on the interface. The following power-up and power-down sequences are recommended.

The power-up sequence is:

1. Power core 1.5 V.
2. Apply the I/O voltage.
3. Apply the analog voltage.
4. Apply the clamp voltage.

The power-down sequence is:

1. Remove the clamp voltage.
2. Remove the analog voltage.
3. Remove the I/O voltage.
4. Remove power from the core.

NOTE: If the voltage regulator is enabled, then steps 2, 3, and 4 of the power-up sequence and steps 1, 2, and 3 of the power-down sequence all occur simultaneously.

3.2 I/O Characteristics

The PCI7x21/PCI7x11 controller meets the ac specifications of the *PC Card Standard* (release 8.1) and the *PCI Local Bus Specification*. Figure 3–2 shows a 3-state bidirectional buffer. Section 14.2, *Recommended Operating Conditions*, provides the electrical characteristics of the inputs and outputs.

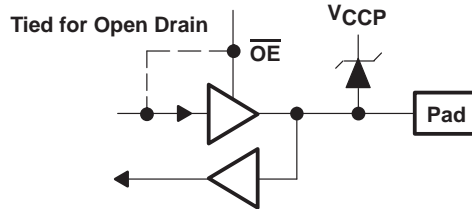


Figure 3–2. 3-State Bidirectional Buffer

3.3 Clamping Voltages

The clamping voltages are set to match whatever external environment the PCI7x21/PCI7x11 controller is interfaced with: 3.3 V or 5 V. The I/O sites can be pulled through a clamping diode to a voltage rail that protects the core from external signals. The core power supply is 1.5 V and is independent of the clamping voltages. For example, PCI signaling can be either 3.3 V or 5 V, and the PCI7x21/PCI7x11 controller must reliably accommodate both voltage levels. This is accomplished by using a 3.3-V I/O buffer that is 5-V tolerant, with the applicable clamping voltage applied. If a system designer desires a 5-V PCI bus, then V_{CCP} can be connected to a 5-V power supply.

3.4 Peripheral Component Interconnect (PCI) Interface

The PCI7x21/PCI7x11 controller is fully compliant with the *PCI Local Bus Specification*. The PCI7x21/PCI7x11 controller provides all required signals for PCI master or slave operation, and may operate in either a 5-V or 3.3-V signaling environment by connecting the V_{CCP} terminals to the desired voltage level. In addition to the mandatory PCI signals, the PCI7x21/PCI7x11 controller provides the optional interrupt signals \overline{INTA} , \overline{INTB} , \overline{INTC} , and \overline{INTD} .

3.4.1 1394 PCI Bus Master

As a bus master, the 1394 function of the PCI7x21/PCI7x11 controller supports the memory commands specified in Table 3–1. The PCI master supports the memory read, memory read line, and memory read multiple commands. The read command usage for read transactions of greater than two data phases are determined by the selection in bits 9–8 (MR_ENHANCE field) of the PCI miscellaneous configuration register (refer to Section 7.23 for details). For read transactions of one or two data phases, a memory read command is used.

Table 3–1. PCI Bus Support

PCI	COMMAND C/BE3–C/BE0	OHCI MASTER FUNCTION
Memory read	0110	DMA read from memory
Memory write	0111	DMA write to memory
Memory read multiple	1100	DMA read from memory
Memory read line	1110	DMA read from memory
Memory write and invalidate	1111	DMA write to memory

3.4.2 Device Resets

The following are the requirements for proper reset of the PCI7x21/PCI7x11 controller:

1. $\overline{\text{GRST}}$ and $\overline{\text{PRST}}$ must both be asserted at power on.
2. $\overline{\text{GRST}}$ must be asserted for at least 2 ms at power on
3. $\overline{\text{PRST}}$ must be deasserted either at the same time or after $\overline{\text{GRST}}$ is asserted
4. PCLK must be stable for 100 μs before $\overline{\text{PRST}}$ is deasserted.

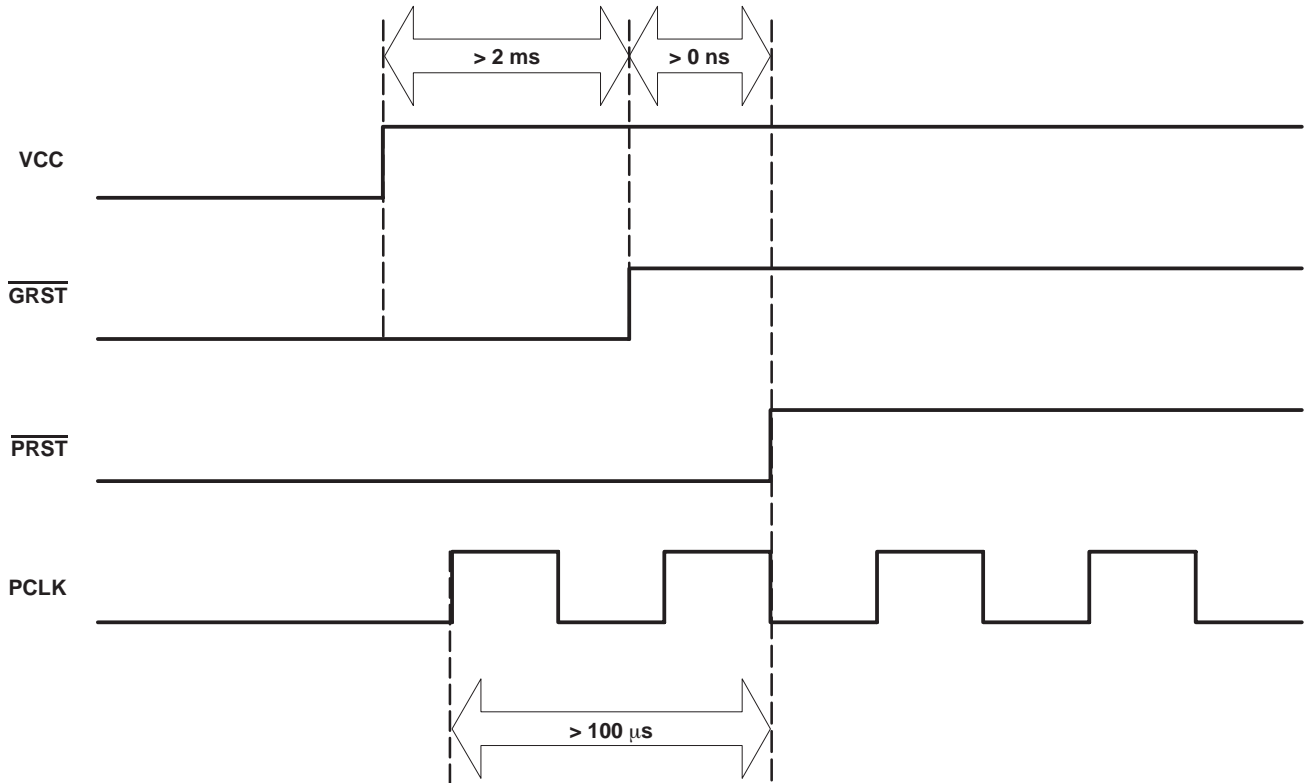


Figure 3–3. PCI Reset Requirement

3.4.3 Serial EEPROM I²C Bus

The PCI7x21/PCI7x11 controller offers many choices for modes of operation, and these choices are selected by programming several configuration registers. For system board applications, these registers are normally programmed through the BIOS routine. For add-in card and docking-station/port-replicator applications, the PCI7x21/PCI7x11 controller provides a two-wire inter-integrated circuit (IIC or I²C) serial bus for use with an external serial EEPROM.

The PCI7x21/PCI7x11 controller is always the bus master, and the EEPROM is always the slave. Either device can drive the bus low, but neither device drives the bus high. The high level is achieved through the use of pullup resistors on the SCL and SDA signal lines. The PCI7x21/PCI7x11 controller is always the source of the clock signal, SCL.

System designers who wish to load register values with a serial EEPROM must use pullup resistors on the SCL and SDA terminals. If the PCI7x21/PCI7x11 controller detects a logic-high level on the SCL terminal at the end of $\overline{\text{GRST}}$, then it initiates incremental reads from the external EEPROM. Any size serial EEPROM up to the I²C limit of 16 Kbits can be used, but only the first 96 bytes (from offset 00h to offset 5Fh) are required to configure the PCI7x21/PCI7x11 controller. Figure 3–3 shows a serial EEPROM application.

In addition to loading configuration data from an EEPROM, the PCI7x21/PCI7x11 I²C bus can be used to read and write from other I²C serial devices. A system designer can control the I²C bus, using the PCI7x21/PCI7x11 controller

as bus master, by reading and writing PCI configuration registers. Setting bit 3 (SBDETECT) in the serial bus control/status register (PCI offset B3h, see Section 4.50) causes the PCI7x21/PCI7x11 controller to route the SDA and SCL signals to the SDA and SCL terminals, respectively. The read/write data, slave address, and byte addresses are manipulated by accessing the serial bus data, serial bus index, and serial bus slave address registers (PCI offsets B0h, B1h, and B2h; see Sections 4.47, 4.48, and 4.49, respectively).

EEPROM interface status information is communicated through the serial bus control and status register (PCI offset B3h, see Section 4.50). Bit 3 (SBDETECT) in this register indicates whether or not the PCI7x21/PCI7x11 serial ROM circuitry detects the pullup resistor on SCL. Any undefined condition, such as a missing acknowledge, results in bit 0 (ROM_ERR) being set. Bit 4 (ROMBUSY) is set while the subsystem ID register is loading (serial ROM interface is busy).

The subsystem vendor ID for functions 2 and 3 is also loaded through EEPROM. The EEPROM load data goes to all four functions from the serial EEPROM loader.

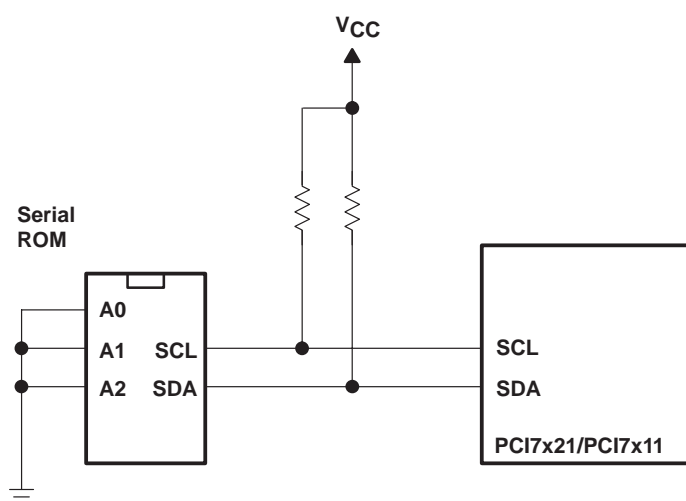


Figure 3-4. Serial ROM Application

3.4.4 Functions 0 and 1 (CardBus) Subsystem Identification

The subsystem vendor ID register (PCI offset 40h, see Section 4.26) and subsystem ID register (PCI offset 42h, see Section 4.27) make up a doubleword of PCI configuration space for functions 0 and 1. This doubleword register is used for system and option card (mobile dock) identification purposes and is required by some operating systems. Implementation of this unique identifier register is a *PC 99/PC 2001* requirement.

The PCI7x21/PCI7x11 controller offers two mechanisms to load a read-only value into the subsystem registers. The first mechanism relies upon the system BIOS providing the subsystem ID value. The default access mode to the subsystem registers is read-only, but can be made read/write by clearing bit 5 (SUBSYSRW) in the system control register (PCI offset 80h, see Section 4.29). Once this bit is cleared, the BIOS can write a subsystem identification value into the registers at PCI offset 40h. The BIOS must set the SUBSYSRW bit such that the subsystem vendor ID register and subsystem ID register are limited to read-only access. This approach saves the added cost of implementing the serial electrically erasable programmable ROM (EEPROM).

In some conditions, such as in a docking environment, the subsystem vendor ID register and subsystem ID register must be loaded with a unique identifier via a serial EEPROM. The PCI7x21/PCI7x11 controller loads the data from the serial EEPROM after a reset of the primary bus. Note that the $\overline{\text{SUSPEND}}$ input gates the PCI reset from the entire PCI7x21/PCI7x11 core, including the serial-bus state machine (see Section 3.8.6, *Suspend Mode*, for details on using $\overline{\text{SUSPEND}}$).

The PCI7x21/PCI7x11 controller provides a two-line serial-bus host controller that can interface to a serial EEPROM. See Section 3.6, *Serial EEPROM Interface*, for details on the two-wire serial-bus controller and applications.

3.4.5 Function 2 (OHCI 1394) Subsystem Identification

The subsystem identification register is used for system and option card identification purposes. This register can be initialized from the serial EEPROM or programmed via the subsystem access register at offset F8h in the PCI configuration space (see Section 7.25, *Subsystem Access Register*). See Table 7–22 for a complete description of the register contents.

Write access to the subsystem access register updates the subsystem identification registers identically to OHCI-Lynx™. The contents of the subsystem access register are aliased to the subsystem vendor ID and subsystem ID registers at Function 2 PCI offsets 2Ch and 2Eh, respectively. The system ID value written to this register may also be read back from this register. See Table 7–22 for a complete description of the register contents.

3.4.6 Function 3 (Flash Media) Subsystem Identification

The subsystem identification register is used for system and option card identification purposes. This register can be initialized from the serial EEPROM or programmed via the subsystem access register at offset 50h in the PCI configuration space (see Section 11.22, *Subsystem Access Register*). See Table 11–15 for a complete description of the register contents.

The contents of the subsystem access register are aliased to the subsystem vendor ID and subsystem ID registers at Function 3 PCI offsets 2Ch and 2Eh, respectively. See Table 11–15 for a complete description of the register contents.

3.4.7 Function 4 (SD Host) Subsystem Identification

The subsystem identification register is used for system and option card identification purposes. This register can be initialized from the serial EEPROM or programmed via the subsystem access register at offset 8Ch in the PCI configuration space (see Section 12.23, *Subsystem Access Register*). See Table 12–16 for a complete description of the register contents.

The contents of the subsystem access register are aliased to the subsystem vendor ID and subsystem ID registers at Function 4 PCI offsets 2Ch and 2Eh, respectively. See Table 12–16 for a complete description of the register contents.

3.4.8 Function 5 (Smart Card) Subsystem Identification

The subsystem identification register is used for system and option card identification purposes. This register can be initialized from the serial EEPROM or programmed via the subsystem access register at offset 50h in the PCI configuration space (see Section 13.23, *Subsystem ID Alias Register*). See Table 13–14 for a complete description of the register contents.

The contents of the subsystem access register are aliased to the subsystem vendor ID and subsystem ID registers at Function 5 PCI offsets 2Ch and 2Eh, respectively. See Table 13–14 for a complete description of the register contents.

3.5 PC Card Applications

The PCI7x21/PCI7x11 controller supports all the PC Card features and applications as described below.

- Card insertion/removal and recognition per the *PC Card Standard* (release 8.1)
- Speaker and audio applications
- LED socket activity indicators
- PC Card controller programming model
- CardBus socket registers

3.5.1 PC Card Insertion/Removal and Recognition

The *PC Card Standard* (release 8.1) addresses the card-detection and recognition process through an interrogation procedure that the socket must initiate on card insertion into a cold, nonpowered socket. Through this interrogation, card voltage requirements and interface (16-bit versus CardBus) are determined.

The scheme uses the card-detect and voltage-sense signals. The configuration of these four terminals identifies the card type and voltage requirements of the PC Card interface.

3.5.2 Low Voltage CardBus Card Detection

The card detection logic of the PCI7x21/PCI7x11 controller includes the detection of Cardbus cards with $V_{CC} = 3.3$ V and $V_{PP} = 1.8$ V. The reporting of the 1.8-V CardBus card ($V_{CC} = 3.3$ V, $V_{PP} = 1.8$ V) is reported through the socket present state register as follows based on bit 10 (12V_SW_SEL) in the general control register (PCI offset 86h, see Section 4.31):

- If the 12V_SW_SEL bit is 0 (TPS2228 is used), then the 1.8-V CardBus card causes the 3VCARD bit in the socket present state register to be set.
- If the 12V_SW_SEL bit is 1 (TPS2226 is used), then the 1.8-V CardBus card causes the XVCARD bit in the socket present state register to be set.

3.5.3 UltraMedia Card Detection

The PCI7x21/PCI7x11 controller is capable of detecting all the UltraMedia devices defined by the PCMCIA *Proposal 0262* – MultiMedia Cards, Secure Digital, Memory Stick devices, and Smart Card devices. The detection of these devices is made possible through circuitry included in the PCI7x21/PCI7x11 controller and the adapters used to interface these devices with the PC Card/CardBus sockets. No additional hardware requirements are placed on the system designer in order to support these devices.

The *PC Card Standard* addresses the card detection and recognition process through an interrogation procedure that the socket must initiate upon card insertion into a cold, unpowered socket. Through this interrogation, card voltage requirements and interface type (16-bit vs. CardBus) are determined. The scheme uses the CD1, CD2, VS1, and VS2 signals (CCD1, CCD2, CVS1, CVS2 for CardBus). A PC Card designer connects these four terminals in a certain configuration to indicate the type of card and its supply voltage requirements. The encoding scheme for this, defined in the *PC Card Standard*, is shown in Table 3–2.

Table 3–2. PC Card—Card Detect and Voltage Sense Connections

$\overline{\text{CD2}}/\overline{\text{CCD2}}$	$\overline{\text{CD1}}/\overline{\text{CCD1}}$	$\overline{\text{VS2}}/\overline{\text{CVS2}}$	$\overline{\text{VS1}}/\overline{\text{CVS1}}$	Key	Interface	VCC	VPP/VCORE
Ground	Ground	Open	Open	5 V	16-bit PC Card	5 V	Per CIS (Vpp)
Ground	Ground	Open	Ground	5 V	16-bit PC Card	5 V and 3.3 V	Per CIS (Vpp)
Ground	Ground	Ground	Ground	5 V	16-bit PC Card	5 V, 3.3 V, and X.X V	Per CIS (Vpp)
Ground	Ground	Open	Ground	LV	16-bit PC Card	3.3 V	Per CIS (Vpp)
Ground	Connect to CVS1	Open	Connect to CCD1	LV	CardBus PC Card	3.3 V	Per CIS (Vpp)
Ground	Ground	Ground	Ground	LV	16-bit PC Card	3.3 V and X.X V	Per CIS (Vpp)
Connect to CVS2	Ground	Connect to CCD2	Ground	LV	CardBus PC Card	3.3 V and X.X V	Per CIS (Vpp)
Connect to CVS1	Ground	Ground	Connect to CCD2	LV	CardBus PC Card	3.3 V, X.X V, and Y.Y V	Per CIS (Vpp)
Ground	Ground	Ground	Open	LV	16-bit PC Card	X.X V	Per CIS (Vpp)
Connect to CVS2	Ground	Connect to CCD2	Open	LV	CardBus PC Card	3.3 V	1.8 V (VCORE)
Ground	Connect to CVS2	Connect to CCD1	Open	LV	CardBus PC Card	X.X V and Y.Y V	Per CIS (Vpp)
Connect to CVS1	Ground	Open	Connect to CCD2	LV	CardBus PC Card	Y.Y V	Per CIS (Vpp)
Ground	Connect to CVS1	Ground	Connect to CCD1	LV	UltraMedia	Per query terminals	
Ground	Connect to CVS2	Connect to CCD1	Ground	Reserved			Reserved

3.5.4 Flash Media Card Detection

The PCI7x21/PCI7x11 controller detects an MMC/SD card insertion through the $\overline{\text{MC_CD_0}}$ terminal. When this terminal is 0, an MMC/SD card is inserted in the socket. The PCI7x21/PCI7x11 controller debounces the $\overline{\text{MC_CD_0}}$ signal such that instability of the signal does not cause false card insertions. The debounce time is approximately 50 ms. The $\overline{\text{MC_CD_0}}$ signal is not debounced on card removals. The filtered $\overline{\text{MC_CD_0}}$ signal is used in the MMC/SD card detection and power control logic.

The MMC/SD card detection and power control logic contains three main states:

- Socket empty, power off
- Card inserted, power off
- Card inserted, power on

The PCI7x21/PCI7x11 controller detects a Memory Stick card insertion through the $\overline{\text{MC_CD_1}}$ terminal. When this terminal is 0, a Memory Stick card is inserted in the socket. The PCI7x21/PCI7x11 controller debounces the $\overline{\text{MC_CD_1}}$ signal such that instability of the signal does not cause false card insertions. The debounce time is approximately 50 ms. The $\overline{\text{MC_CD_1}}$ signal is not debounced on card removals. The filtered $\overline{\text{MC_CD_1}}$ signal is used in the Memory Stick card detection and power control logic.

The Memory Stick card detection and power control logic contains three main states:

- Socket empty, power off
- Card inserted, power off
- Card inserted, power on

3.5.5 Power Switch Interface

The power switch interface of the PCI7x21/PCI7x11 controller is a 3-pin serial interface. This 3-pin interface is implemented such that the PCI7x21/PCI7x11 controller can connect to both the TPS2226 and TPS2228 power switches. Bit 10 (12V_SW_SEL) in the general control register (PCI offset 86h, see Section 4.31) selects the power switch that is implemented. The PCI7x21/PCI7x11 controller defaults to use the control logic for the TPS2228 power switch. See Table 3–3 and Table 3–6 below for the power switch control logic.

Table 3–3. TPS2228 Control Logic—xVPP/VCORE

AVPP/VCORE CONTROL SIGNALS				OUTPUT V_AVPP/VCORE	BVPP/VCORE CONTROL SIGNALS				OUTPUT V_BVPP/VCORE
D8(SHDN)	D0	D1	D9		D8(SHDN)	D4	D5	D10	
1	0	0	X	0 V	1	0	0	X	0 V
1	0	1	0	3.3 V	1	0	1	0	3.3 V
1	0	1	1	5 V	1	0	1	1	5 V
1	1	0	X	Hi-Z	1	1	0	X	Hi-Z
1	1	1	0	Hi-Z	1	1	1	0	Hi-Z
1	1	1	1	1.8 V	1	1	1	1	1.8 V
0	X	X	X	Hi-Z	0	X	X	X	Hi-Z

Table 3–4. TPS2228 Control Logic—xVCC

AVCC CONTROL SIGNALS			OUTPUT V_AVCC	BVCC CONTROL SIGNALS			OUTPUT V_BVCC
D8(SHDN)	D3	D2		D8(SHDN)	D6	D7	
1	0	0	0 V	1	0	0	0 V
1	0	1	3.3 V	1	0	1	3.3 V
1	1	0	5 V	1	1	0	5 V
1	1	1	0 V	1	1	1	0 V
0	X	X	Hi-Z	0	X	X	Hi-Z

Table 3–5. TPS2226 Control Logic—xVPP

AVPP CONTROL SIGNALS				OUTPUT V_AVPP	BVPP CONTROL SIGNALS				OUTPUT V_BVPP
D8(SHDN)	D0	D1	D9		D8(SHDN)	D4	D5	D10	
1	0	0	X	0 V	1	0	0	X	0 V
1	0	1	0	3.3 V	1	0	1	0	3.3 V
1	0	1	1	5 V	1	0	1	1	5 V
1	1	0	X	12 V	1	1	0	X	12 V
1	1	1	X	Hi-Z	1	1	1	X	Hi-Z
0	X	X	X	Hi-Z	0	X	X	X	Hi-Z

Table 3–6. TPS2226 Control Logic—xVCC

AVCC CONTROL SIGNALS			OUTPUT V_AVCC	BVCC CONTROL SIGNALS			OUTPUT V_BVCC
D8(SHDN)	D3	D2		D8(SHDN)	D6	D7	
1	0	0	0 V	1	0	0	0 V
1	0	1	3.3 V	1	0	1	3.3 V
1	1	0	5 V	1	1	0	5 V
1	1	1	0 V	1	1	1	0 V
0	X	X	Hi-Z	0	X	X	Hi-Z

3.5.6 Internal Ring Oscillator

The internal ring oscillator provides an internal clock source for the PCI7x21/PCI7x11 controller so that neither the PCI clock nor an external clock is required in order for the PCI7x21/PCI7x11 controller to power down a socket or interrogate a PC Card. This internal oscillator, operating nominally at 16 kHz, is always enabled.

3.5.7 Integrated Pullup Resistors for PC Card Interface

The *PC Card Standard* requires pullup resistors on various terminals to support both CardBus and 16-bit PC Card configurations. The PCI7x21/PCI7x11 controller has integrated all of these pullup resistors and requires no additional external components. The I/O buffer on the BVD1($\overline{\text{STSCHG}}$)/CSTSCHG terminal has the capability to switch to an internal pullup resistor when a 16-bit PC Card is inserted, or switch to an internal pulldown resistor when a CardBus card is inserted. This prevents inadvertent CSTSCHG events. The pullup resistor requirements for the various UltraMedia interfaces are either included in the UltraMedia cards (or the UltraMedia adapter) or are part of the existing PCMCIA architecture. The PCI7x21/PCI7x11 controller does not require any additional components for UltraMedia support.

3.5.8 SPKROUT and CAUDPWM Usage

The SPKROUT terminal carries the digital audio signal from the PC Card to the system. When a 16-bit PC Card is configured for I/O mode, the BVD2 terminal becomes the $\overline{\text{SPKR}}$ input terminal from the card. This terminal, in CardBus applications, is referred to as CAUDIO. $\overline{\text{SPKR}}$ passes a TTL-level binary audio signal to the PCI7x21/PCI7x11 controller. The CardBus CAUDIO signal also can pass a single-amplitude binary waveform as well as a PWM signal. The binary audio signal from each PC Card sockets is enabled by bit 1 (SPKROUTEN) of the card control register (PCI offset 91h, see Section 4.38).

Older controllers support CAUDIO in binary or PWM mode, but use the same output terminal (SPKROUT). Some audio chips may not support both modes on one terminal and may have a separate terminal for binary and PWM. The PCI7x21/PCI7x11 implementation includes a signal for PWM, CAUDPWM, which can be routed to an MFUNC terminal. Bit 2 (AUD2MUX), located in the card control register, is programmed to route a CardBus CAUDIO PWM terminal to CAUDPWM. See Section 4.36, *Multifunction Routing Register*, for details on configuring the MFUNC terminals.

Figure 3–5 illustrates the SPKROUT connection.

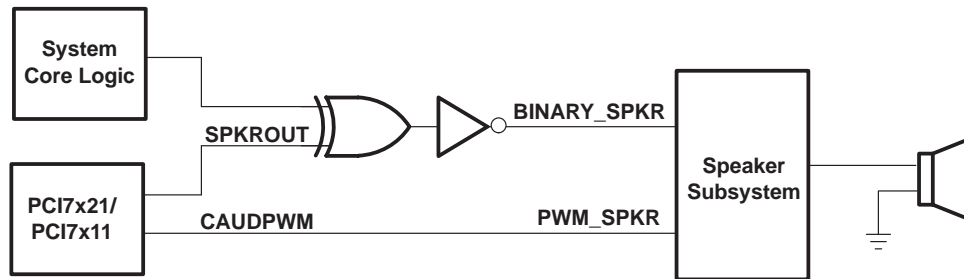


Figure 3–5. SPKROUT Connection to Speaker Driver

3.5.9 LED Socket Activity Indicators

The socket activity LEDs are provided to indicate when a PC Card is being accessed. The LEDA1 and LEDA2 signals can be routed to the multifunction terminals. When configured for LED outputs, these terminals output an active high signal to indicate socket activity. LEDA1 indicates socket A (card A) activity, and LEDA2 indicates socket B (card B) activity. The LED_SKT output indicates socket activity to either socket A or socket B. See Section 4.36, *Multifunction Routing Status Register*, for details on configuring the multifunction terminals.

The active-high LED signal is driven for 64 ms. When the LED is not being driven high, it is driven to a low state. Either of the two circuits shown in Figure 3–6 can be implemented to provide LED signaling, and the board designer must implement the circuit that best fits the application.

The LED activity signals are valid when a card is inserted, powered, and not in reset. For PC Card-16, the LED activity signals are pulsed when $\overline{\text{READY}}(\overline{\text{IREQ}})$ is low. For CardBus cards, the LED activity signals are pulsed if $\overline{\text{CFRAME}}$, $\overline{\text{IRDY}}$, or $\overline{\text{CREQ}}$ are active.

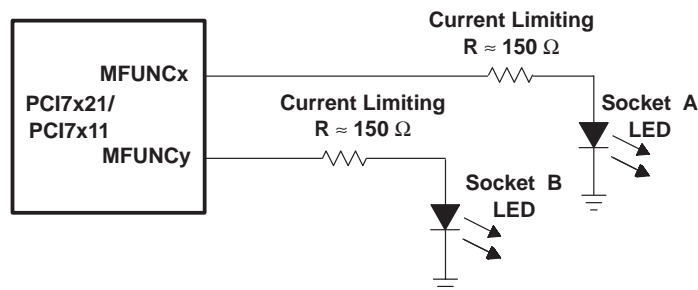


Figure 3–6. Two Sample LED Circuits

As indicated, the LED signals are driven for a period of 64 ms by a counter circuit. To avoid the possibility of the LEDs appearing to be stuck when the PCI clock is stopped, the LED signaling is cut off when the $\overline{\text{SUSPEND}}$ signal is asserted, when the PCI clock is to be stopped during the clock run protocol, or when in the D2 or D1 power state.

If any additional socket activity occurs during this counter cycle, then the counter is reset and the LED signal remains driven. If socket activity is frequent (at least once every 64 ms), then the LED signals remain driven.

3.5.10 CardBus Socket Registers

The PCI7x21/PCI7x11 controller contains all registers for compatibility with the *PCI Local Bus Specification* and the *PC Card Standard*. These registers, which exist as the CardBus socket registers, are listed in Table 3–7.

Table 3–7. CardBus Socket Registers

REGISTER NAME	OFFSET
Socket event	00h
Socket mask	04h
Socket present state	08h
Socket force event	0Ch
Socket control	10h
Reserved	14h–1Ch
Socket power management	20h

3.5.11 48-MHz Clock Requirements

The PCI7x21/PCI7x11 controller is designed to use an external 48-MHz clock connected to the CLK_48 terminal to provide the reference for an internal oscillator circuit. This oscillator in turn drives a PLL circuit that generates the various clocks required for the flash media function (Function 3) of the PCI7x21/PCI7x11 controller.

The 48-MHz clock is needed as follows in the designated states:

- Power-up: Follow the power-up sequence
- D0: Clock must not be stopped
- D1/D2/D3: Clock can be stopped
- D1/D2/D3_{hot} to D0: Need 10 clocks before D0 state
- D3_{cold} to D0: Need 10 clocks before $\overline{\text{PRST}}$ de-assert

The 48-MHz clock must maintain a frequency of 48 MHz \pm 0.8% over normal operating conditions. This clock must maintain a duty cycle of 40% – 60%. The PCI7x21/PCI7x11 controller requires that the 48-MHz clock be running and stable (a minimum of 10 clock pulses) before a $\overline{\text{GRST}}$ deassertion.

The following are typical specifications for crystals used with the PCI7x21/PCI7x11 controller in order to achieve the required frequency accuracy and stability.

- Crystal mode of operation: Fundamental
- Frequency tolerance @ 25°C: Total frequency variation for the complete circuit is \pm 100 ppm. A crystal with \pm 30 ppm frequency tolerance is recommended for adequate margin.

- Frequency stability (overtemperature and age): A crystal with ± 30 ppm frequency stability is recommended for adequate margin.

NOTE: The total frequency variation must be kept below ± 100 ppm from nominal with some allowance for error introduced by board and device variations. Trade-offs between frequency tolerance and stability may be made as long as the total frequency variation is less than ± 100 ppm. For example, the frequency tolerance of the crystal may be specified at 50 ppm and the temperature tolerance may be specified at 30 ppm to give a total of 80 ppm possible variation due to the crystal alone. Crystal aging also contributes to the frequency variation.

3.6 Serial EEPROM Interface

The PCI7x21/PCI7x11 controller has a dedicated serial bus interface that can be used with an EEPROM to load certain registers in the PCI7x21/PCI7x11 controller. The EEPROM is detected by a pullup resistor on the SCL terminal. See Table 3–9 for the EEPROM loading map.

3.6.1 Serial-Bus Interface Implementation

The PCI7x21/PCI7x11 controller drives SCL at nearly 100 kHz during data transfers, which is the maximum specified frequency for standard mode I²C. The serial EEPROM must be located at address A0h.

Some serial device applications may include PC Card power switches, card ejectors, or other devices that may enhance the user's PC Card experience. The serial EEPROM device and PC Card power switches are discussed in the sections that follow.

3.6.2 Accessing Serial-Bus Devices Through Software

The PCI7x21/PCI7x11 controller provides a programming mechanism to control serial bus devices through software. The programming is accomplished through a doubleword of PCI configuration space at offset B0h. Table 3–8 lists the registers used to program a serial-bus device through software.

Table 3–8. PCI7x21/PCI7x11 Registers Used to Program Serial-Bus Devices

PCI OFFSET	REGISTER NAME	DESCRIPTION
B0h	Serial-bus data	Contains the data byte to send on write commands or the received data byte on read commands.
B1h	Serial-bus index	The content of this register is sent as the word address on byte writes or reads. This register is not used in the quick command protocol.
B2h	Serial-bus slave address	Write transactions to this register initiate a serial-bus transaction. The slave device address and the $\overline{R/W}$ command selector are programmed through this register.
B3h	Serial-bus control and status	Read data valid, general busy, and general error status are communicated through this register. In addition, the protocol-select bit is programmed through this register.

3.6.3 Serial-Bus Interface Protocol

The SCL and SDA signals are bidirectional, open-drain signals and require pullup resistors as shown in Figure 3–4. The PCI7x21/PCI7x11 controller, which supports up to 100-Kb/s data-transfer rate, is compatible with standard mode I²C using 7-bit addressing.

All data transfers are initiated by the serial bus master. The beginning of a data transfer is indicated by a start condition, which is signaled when the SDA line transitions to the low state while SCL is in the high state, as shown in Figure 3–7. The end of a requested data transfer is indicated by a stop condition, which is signaled by a low-to-high transition of SDA while SCL is in the high state, as shown in Figure 3–7. Data on SDA must remain stable during the high state of the SCL signal, as changes on the SDA signal during the high state of SCL are interpreted as control signals, that is, a start or a stop condition.

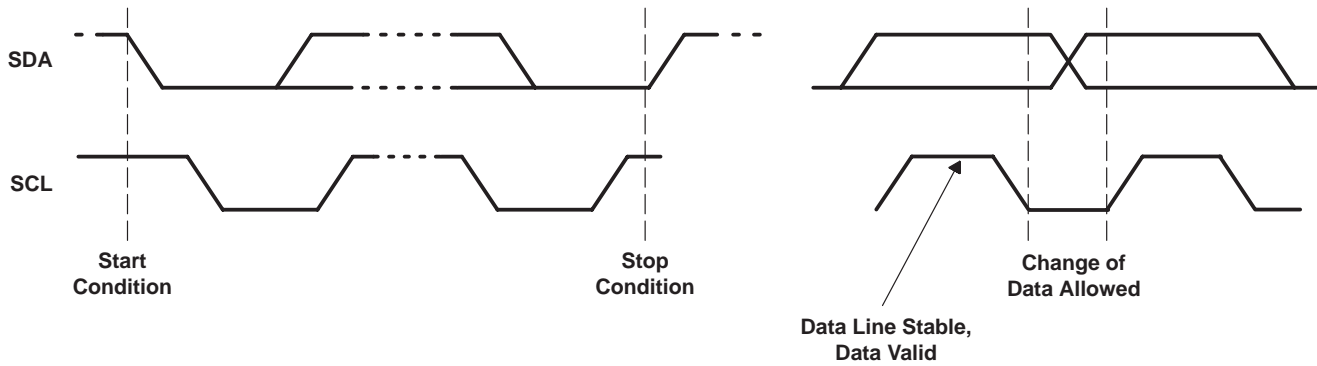


Figure 3–7. Serial-Bus Start/Stop Conditions and Bit Transfers

Data is transferred serially in 8-bit bytes. The number of bytes that may be transmitted during a data transfer is unlimited; however, each byte must be completed with an acknowledge bit. An acknowledge (ACK) is indicated by the receiver pulling the SDA signal low, so that it remains low during the high state of the SCL signal. Figure 3–8 illustrates the acknowledge protocol.

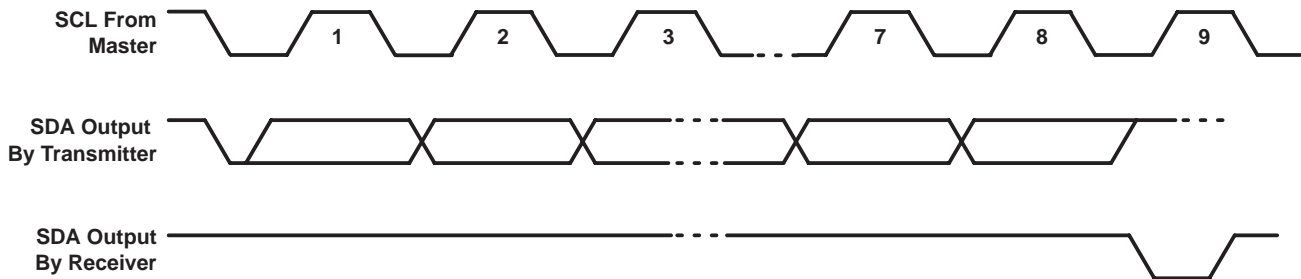


Figure 3–8. Serial-Bus Protocol Acknowledge

The PCI7x21/PCI7x11 controller is a serial bus master; all other devices connected to the serial bus external to the PCI7x21/PCI7x11 controller are slave devices. As the bus master, the PCI7x21/PCI7x11 controller drives the SCL clock at nearly 100 kHz during bus cycles and places SCL in a high-impedance state (zero frequency) during idle states.

Typically, the PCI7x21/PCI7x11 controller masters byte reads and byte writes under software control. Doubleword reads are performed by the serial EEPROM initialization circuitry upon a PCI reset and may not be generated under software control. See Section 3.6.4, *Serial-Bus EEPROM Application*, for details on how the PCI7x21/PCI7x11 controller automatically loads the subsystem identification and other register defaults through a serial-bus EEPROM.

Figure 3–9 illustrates a byte write. The PCI7x21/PCI7x11 controller issues a start condition and sends the 7-bit slave device address and the command bit zero. A 0 in the R/W command bit indicates that the data transfer is a write. The slave device acknowledges if it recognizes the address. If no acknowledgment is received by the PCI7x21/PCI7x11 controller, then an appropriate status bit is set in the serial-bus control/status register (PCI offset B3h, see Section 4.50). The word address byte is then sent by the PCI7x21/PCI7x11 controller, and another slave acknowledgment is expected. Then the PCI7x21/PCI7x11 controller delivers the data byte MSB first and expects a final acknowledgment before issuing the stop condition.

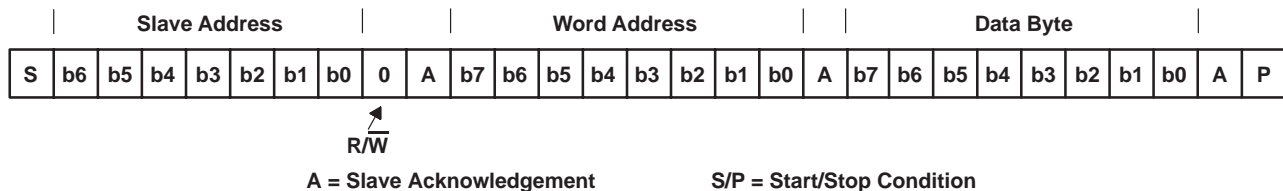


Figure 3–9. Serial-Bus Protocol—Byte Write

Figure 3–10 illustrates a byte read. The read protocol is very similar to the write protocol, except the R/\overline{W} command bit must be set to 1 to indicate a read-data transfer. In addition, the PCI7x21/PCI7x11 master must acknowledge reception of the read bytes from the slave transmitter. The slave transmitter drives the SDA signal during read data transfers. The SCL signal remains driven by the PCI7x21/PCI7x11 master.

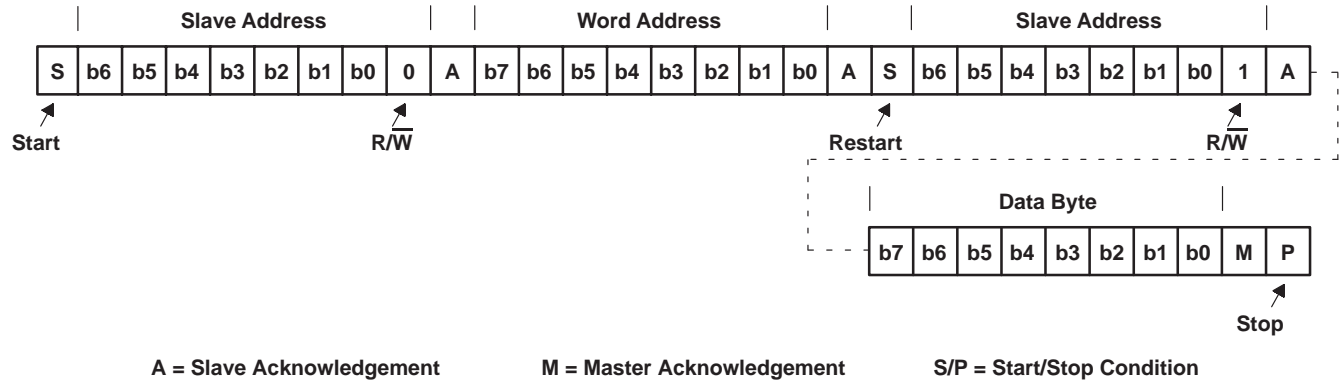


Figure 3–10. Serial-Bus Protocol—Byte Read

Figure 3–11 illustrates EEPROM interface doubleword data collection protocol.

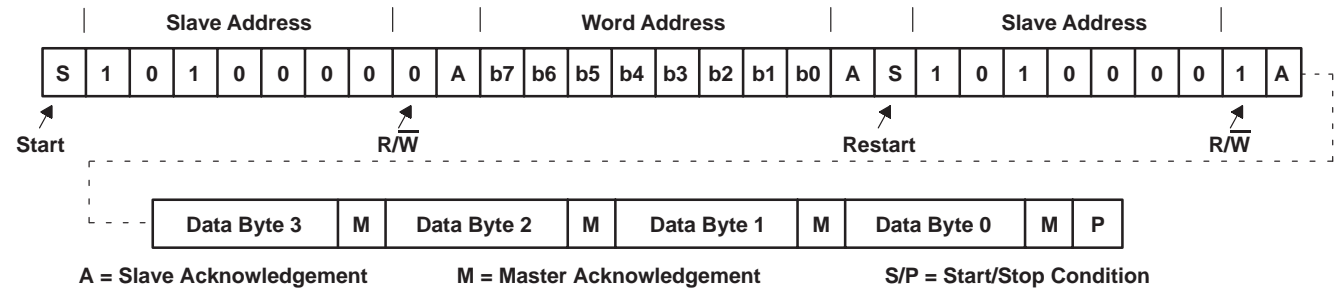


Figure 3–11. EEPROM Interface Doubleword Data Collection

3.6.4 Serial-Bus EEPROM Application

When the PCI bus is reset and the serial-bus interface is detected, the PCI7x21/PCI7x11 controller attempts to read the subsystem identification and other register defaults from a serial EEPROM.

This format must be followed for the PCI7x21/PCI7x11 controller to load initializations from a serial EEPROM. All bit fields must be considered when programming the EEPROM.

The serial EEPROM is addressed at slave address 1010 000b by the PCI7x21/PCI7x11 controller. All hardware address bits for the EEPROM must be tied to the appropriate level to achieve this address. The serial EEPROM chip in the sample application (Figure 3–11) assumes the 1010b high-address nibble. The lower three address bits are terminal inputs to the chip, and the sample application shows these terminal inputs tied to GND.

Table 3–9. EEPROM Loading Map

SERIAL ROM OFFSET	BYTE DESCRIPTION						
00h	CardBus function indicator (00h)						
01h	Number of bytes (20h)						
02h	PCI 04h, command register, function 0, bits 8, 6–5, 2–0						
	[7] Command register, bit 8	[6] Command register, bit 6	[5] Command register, bit 5	[4:3] RSVD	[2] Command register, bit 2	[1] Command register, bit 1	[0] Command register, bit 0
03h	PCI 04h, command register, function 1, bits 8, 6–5, 2–0						
	[7] Command register, bit 8	[6] Command register, bit 6	[5] Command register, bit 5	[4:3] RSVD	[2] Command register, bit 2	[1] Command register, bit 1	[0] Command register, bit 0
04h	PCI 40h, subsystem vendor ID, byte 0						
05h	PCI 41h, subsystem vendor ID, byte 1						
06h	PCI 42h, subsystem ID, byte 0						
07h	PCI 43h, subsystem ID, byte 1						
08h	PCI 44h, PC Card 16-bit I/F legacy mode base address register, byte 0, bits 7–1						
09h	PCI 45h, PC Card 16-bit I/F legacy mode base address register, byte 1						
0Ah	PCI 46h, PC Card 16-bit I/F legacy mode base address register, byte 2						
0Bh	PCI 47h, PC Card 16-bit I/F legacy mode base address register, byte 3						
0Ch	PCI 80h, system control, function 0, byte 0, bits 6–0						
0Dh	PCI 80h, system control, function 1, byte 0, bit 2						
0Eh	PCI 81h, system control, byte 1, bits 7,6						
0Fh	Reserved nonloadable (PCI 82h, system control, byte 2)						
10h	PCI 83h, system control, byte 3, bits 7–2, 0						
11h	PCI 8Ch, MFUNC routing, byte 0						
12h	PCI 8Dh, MFUNC routing, byte 1						
13h	PCI 8Eh, MFUNC routing, byte 2						
14h	PCI 8Fh, MFUNC routing, byte 3						
15h	PCI 90h, retry status, bits 7, 6						
16h	PCI 91h, card control, bit 7						
17h	PCI 92h, device control, bits 6, 5, 3–0 (bit 0 must be programmed to 0)						
18h	PCI 93h, diagnostic, bits 4–0						
19h	PCI A2h, power-management capabilities, function 0, bit 15 (bit 7 of EEPROM offset 16h corresponds to bit 15)						
1Ah	PCI A2h, power-management capabilities, function 1, bit 15 (bit 7 of EEPROM offset 16h corresponds to bit 15)						
1Bh	CB Socket + 0Ch, function 0 socket force event, bit 27 (bit 3 of EEPROM offset 17h corresponds to bit 27)						
1Ch	CB Socket + 0Ch, function 1 socket force event, bit 27 (bit 3 of EEPROM offset 18h corresponds to bit 27)						
1Dh	ExCA 00h, ExCA identification and revision, bits 7–0						
1Eh	PCI 86h, general control, byte 0, bits 7–0						
1Fh	PCI 87h, general control, byte 1, bits 7, 6 (can only be set to 1 if bits 1:0 = 01), 4–0						
20h	PCI 89h, GPE enable, bits 7, 6, 4–0						
21h	PCI 8Bh, general-purpose output, bits 4–0						
22h	1394 OHCI function indicator (02h)						
23h	Number of bytes (17h)						
24h	PCI 3Fh, maximum latency bits 7–4			PCI 3Eh, minimum grant, bits 3–0			

Table 3–9. EEPROM Loading Map (Continued)

SERIAL ROM OFFSET	BYTE DESCRIPTION					
25h	PCI 2Ch, subsystem vendor ID, byte 0					
26h	PCI 2Dh, subsystem vendor ID, byte 1					
27h	PCI 2Eh, subsystem ID, byte 0					
28h	PCI 2Fh, subsystem ID, byte 1					
29h	PCI F4h, Link_Enh, byte 0, bits 7, 2, 1					
	OHCI 50h, host controller control, bit 23					
	[7] Link_Enh. enab_unfair	[6] HControl.Program Phy Enable	[5:3] RSVD	[2] Link_Enh, bit 2	[1] Link_Enh. enab_accel	[0] RSVD
2Ah	Mini-ROM address, this byte indicates the MINI ROM offset into the EEPROM 00h = No MINI ROM Other Values = MINI ROM offset					
2Bh	OHCI 24h, GUIDHi, byte 0					
2Ch	OHCI 25h, GUIDHi, byte 1					
2Dh	OHCI 26h, GUIDHi, byte 2					
2Eh	OHCI 27h, GUIDHi, byte 3					
2Fh	OHCI 28h, GUIDLo, byte 0					
30h	OHCI 29h, GUIDLo, byte 1					
31h	OHCI 2Ah, GUIDLo, byte 2					
32h	OHCI 2Bh, GUIDLo, byte 3					
33h	Checksum (Reserved—no bit loaded)					
34h	PCI F5h, Link_Enh, byte 1, bits 7, 6, 5, 4					
35h	PCI F0h, PCI miscellaneous, byte 0, bits 5, 4, 2, 1, 0					
36h	PCI F1h, PCI miscellaneous, byte 1, bits 7, 3, 2, 1, 0					
37h	Reserved					
38h	Reserved (CardBus CIS pointer)					
39h	Reserved					
3Ah	PCI ECh, PCI PHY control, bits 7, 3, 1					
3Bh	Flash media core function indicator (03h)					
3Ch	Number of bytes (05h)					
3Dh	PCI 2Ch, subsystem vendor ID, byte 0					
3Eh	PCI 2Dh, subsystem vendor ID, byte 1					
3Fh	PCI 2Eh, subsystem ID, byte 0					
40h	PCI 2Fh, subsystem ID, byte 1					
41h	PCI 4Ch, general control, bits 6–4, 2–0					
42h	SD host controller function indicator (03h)					
43h	Number of bytes (0Bh)					
44h	PCI 2Ch, subsystem vendor ID, byte 0					
45h	PCI 2Dh, subsystem vendor ID, byte 1					
46h	PCI 2Eh, subsystem ID, byte 0					
47h	PCI 2Fh, subsystem ID, byte 1					
48h	PCI 88h, general control bits 6–4, 0					

Table 3–9. EEPROM Loading Map (Continued)

SERIAL ROM OFFSET	BYTE DESCRIPTION
49h	PCI 94h, slot 0 3.3 V maximum current
4Ah	PCI 98h, slot 1 3.3 V maximum current
4Bh	PCI 9Ch, slot 2 3.3 V maximum current
4Ch	Reserved (PCI A0h, slot 3 3.3 V maximum current)
4Dh	Reserved (PCI A4h, slot 4 3.3 V maximum current)
4Eh	Reserved (PCI A8h, slot 5 3.3 V maximum current)
4Fh	PCI Smart Card function indicator (05h)
50h	Number of bytes (0Eh)
51h	PCI 09h, class code, byte 0
52h	PCI 0Ah, class code, byte 1
53h	PCI 0Bh, class code, byte 2
54h	PCI 2Ch, subsystem vendor ID, byte 0
55h	PCI 2Dh, subsystem vendor ID, byte 1
56h	PCI 2Eh, subsystem ID, byte 0
57h	PCI 2Fh, subsystem ID, byte 1
58h	PCI 4Ch, general control bits 6–4
59h	PCI 58h, Smart Card configuration 1, byte 0, bits 6–4, 2–0
5Ah	PCI 59h, Smart Card configuration 1, byte 1, bits 6–4, 2–0
5Bh	PCI 5Ah, Smart Card configuration 1, byte 2, bits 6–4, 2–0
5Ch	PCI 5Bh, Smart Card configuration 1, byte 3, bits 7–4, 2–0
5Dh	PCI 5Ch, Smart Card configuration 2, byte 0
5Eh	PCI 5Dh, Smart Card configuration 2, byte 1
5Fh	End-of-list indicator (80h)

3.7 Programmable Interrupt Subsystem

Interrupts provide a way for I/O devices to let the microprocessor know that they require servicing. The dynamic nature of PC Cards and the abundance of PC Card I/O applications require substantial interrupt support from the PCI7x21/PCI7x11 controller. The PCI7x21/PCI7x11 controller provides several interrupt signaling schemes to accommodate the needs of a variety of platforms. The different mechanisms for dealing with interrupts in this controller are based on various specifications and industry standards. The ExCA register set provides interrupt control for some 16-bit PC Card functions, and the CardBus socket register set provides interrupt control for the CardBus PC Card functions. The PCI7x21/PCI7x11 controller is, therefore, backward compatible with existing interrupt control register definitions, and new registers have been defined where required.

The PCI7x21/PCI7x11 controller detects PC Card interrupts and events at the PC Card interface and notifies the host controller using one of several interrupt signaling protocols. To simplify the discussion of interrupts in the PCI7x21/PCI7x11 controller, PC Card interrupts are classified either as card status change (CSC) or as functional interrupts.

The method by which any type of PCI7x21/PCI7x11 interrupt is communicated to the host interrupt controller varies from system to system. The PCI7x21/PCI7x11 controller offers system designers the choice of using parallel PCI interrupt signaling, parallel ISA-type IRQ interrupt signaling, or the IRQSER serialized ISA and/or PCI interrupt protocol. It is possible to use the parallel PCI interrupts in combination with either parallel IRQs or serialized IRQs, as detailed in the sections that follow. All interrupt signaling is provided through the seven multifunction terminals, MFUNC0–MFUNC6.

3.7.1 PC Card Functional and Card Status Change Interrupts

PC Card functional interrupts are defined as requests from a PC Card application for interrupt service and are indicated by asserting specially-defined signals on the PC Card interface. Functional interrupts are generated by 16-bit I/O PC Cards and by CardBus PC Cards.

Card status change (CSC)-type interrupts are defined as events at the PC Card interface that are detected by the PCI7x21/PCI7x11 controller and may warrant notification of host card and socket services software for service. CSC events include both card insertion and removal from PC Card sockets, as well as transitions of certain PC Card signals.

Table 3–10 summarizes the sources of PC Card interrupts and the type of card associated with them. CSC and functional interrupt sources are dependent on the type of card inserted in the PC Card socket. The four types of cards that can be inserted into any PC Card socket are:

- 16-bit memory card
- 16-bit I/O card
- CardBus cards
- UltraMedia card

Table 3–10. Interrupt Mask and Flag Registers

CARD TYPE	EVENT	MASK	FLAG
16-bit memory	Battery conditions (BVD1, BVD2)	ExCA offset 05h/45h/805h bits 1 and 0	ExCA offset 04h/44h/804h bits 1 and 0
	Wait states (READY)	ExCA offset 05h/45h/805h bit 2	ExCA offset 04h/44h/804h bit 2
16-bit I/O	Change in card status ($\overline{\text{STSCHG}}$)	ExCA offset 05h/45h/805h bit 0	ExCA offset 04h/44h/804h bit 0
16-bit I/O/ UltraMedia	Interrupt request ($\overline{\text{IREQ}}$)	Always enabled	PCI configuration offset 91h bit 0
All 16-bit PC Cards/ Smart Card adapters/ UltraMedia/ Flash Media	Power cycle complete	ExCA offset 05h/45h/805h bit 3	ExCA offset 04h/44h/804h bit 3
CardBus	Change in card status (CSTSCHG)	Socket mask bit 0	Socket event bit 0
	Interrupt request ($\overline{\text{CINT}}$)	Always enabled	PCI configuration offset 91h bit 0
	Power cycle complete	Socket mask bit 3	Socket event bit 3
	Card insertion or removal	Socket mask bits 2 and 1	Socket event bits 2 and 1

Functional interrupt events are valid only for 16-bit I/O and CardBus cards; that is, the functional interrupts are not valid for 16-bit memory cards. Furthermore, card insertion and removal-type CSC interrupts are independent of the card type.

Table 3–11. PC Card Interrupt Events and Description

CARD TYPE	EVENT	TYPE	SIGNAL	DESCRIPTION
16-bit memory	Battery conditions (BVD1, BVD2)	CSC	$BVD1(\overline{STSCHG})//CSTSCHG$	A transition on BVD1 indicates a change in the PC Card battery conditions.
			$BVD2(\overline{SPKR})//CAUDIO$	A transition on BVD2 indicates a change in the PC Card battery conditions.
	Wait states (READY)	CSC	$READY(\overline{IREQ})//\overline{CINT}$	A transition on READY indicates a change in the ability of the memory PC Card to accept or provide data.
16-bit I/O	Change in card status (STSCHG)	CSC	$BVD1(\overline{STSCHG})//CSTSCHG$	The assertion of \overline{STSCHG} indicates a status change on the PC Card.
16-bit I/O/ UltraMedia	Interrupt request (IREQ)	Functional	$READY(\overline{IREQ})//\overline{CINT}$	The assertion of \overline{IREQ} indicates an interrupt request from the PC Card.
CardBus	Change in card status (CSTSCHG)	CSC	$BVD1(\overline{STSCHG})//CSTSCHG$	The assertion of CSTSCHG indicates a status change on the PC Card.
	Interrupt request (CINT)	Functional	$READY(\overline{IREQ})//\overline{CINT}$	The assertion of \overline{CINT} indicates an interrupt request from the PC Card.
All PC Cards/ Smart Card adapters/ UltraMedia/ Flash Media	Card insertion or removal	CSC	$\overline{CD1}/\overline{CCD1}, \overline{CD2}/\overline{CCD2}$	A transition on either $\overline{CD1}/\overline{CCD1}$ or $\overline{CD2}/\overline{CCD2}$ indicates an insertion or removal of a 16-bit or CardBus PC Card.
	Power cycle complete	CSC	N/A	An interrupt is generated when a PC Card power-up cycle has completed.

The naming convention for PC Card signals describes the function for 16-bit memory, I/O cards, and CardBus. For example, $READY(\overline{IREQ})//\overline{CINT}$ includes READY for 16-bit memory cards, \overline{IREQ} for 16-bit I/O cards, and \overline{CINT} for CardBus cards. The 16-bit memory card signal name is first, with the I/O card signal name second, enclosed in parentheses. The CardBus signal name follows after a double slash (/).

The *1997 PC Card Standard* describes the power-up sequence that must be followed by the PCI7x21/PCI7x11 controller when an insertion event occurs and the host requests that the socket V_{CC} and V_{PP} be powered. Upon completion of this power-up sequence, the PCI7x21/PCI7x11 interrupt scheme can be used to notify the host system (see Table 3–11), denoted by the power cycle complete event. This interrupt source is considered a PCI7x21/PCI7x11 internal event, because it depends on the completion of applying power to the socket rather than on a signal change at the PC Card interface.

3.7.2 Interrupt Masks and Flags

Host software may individually mask (or disable) most of the potential interrupt sources listed in Table 3–11 by setting the appropriate bits in the PCI7x21/PCI7x11 controller. By individually masking the interrupt sources listed, software can control those events that cause a PCI7x21/PCI7x11 interrupt. Host software has some control over the system interrupt the PCI7x21/PCI7x11 controller asserts by programming the appropriate routing registers. The PCI7x21/PCI7x11 controller allows host software to route PC Card CSC and PC Card functional interrupts to separate system interrupts. Interrupt routing somewhat specific to the interrupt signaling method used is discussed in more detail in the following sections.

When an interrupt is signaled by the PCI7x21/PCI7x11 controller, the interrupt service routine must determine which of the events listed in Table 3–10 caused the interrupt. Internal registers in the PCI7x21/PCI7x11 controller provide flags that report the source of an interrupt. By reading these status bits, the interrupt service routine can determine the action to be taken.

Table 3–10 details the registers and bits associated with masking and reporting potential interrupts. All interrupts can be masked except the functional PC Card interrupts, and an interrupt status flag is available for all types of interrupts.

Notice that there is not a mask bit to stop the PCI7x21/PCI7x11 controller from passing PC Card functional interrupts through to the appropriate interrupt scheme. These interrupts are not valid until the card is properly powered, and there must never be a card interrupt that does not require service after proper initialization.

Table 3–10 lists the various methods of clearing the interrupt flag bits. The flag bits in the ExCA registers (16-bit PC Card-related interrupt flags) can be cleared using two different methods. One method is an explicit write of 1 to the flag bit to clear and the other is by reading the flag bit register. The selection of flag bit clearing methods is made by bit 2 (IFCMODE) in the ExCA global control register (ExCA offset 1Eh/5Eh/81Eh, see Section 5.20), and defaults to the flag-cleared-on-read method.

The CardBus-related interrupt flags can be cleared by an explicit write of 1 to the interrupt flag in the socket event register (see Section 6.1). Although some of the functionality is shared between the CardBus registers and the ExCA registers, software must not program the chip through both register sets when a CardBus card is functioning.

3.7.3 Using Parallel IRQ Interrupts

The seven multifunction terminals, MFUNC6–MFUNC0, implemented in the PCI7x21/PCI7x11 controller can be routed to obtain a subset of the ISA IRQs. The IRQ choices provide ultimate flexibility in PC Card host interruptions. To use the parallel ISA-type IRQ interrupt signaling, software must program the device control register (PCI offset 92h, see Section 4.39), to select the parallel IRQ signaling scheme. See Section 4.36, *Multifunction Routing Status Register*, for details on configuring the multifunction terminals.

A system using parallel IRQs requires (at a minimum) one PCI terminal, $\overline{\text{INTA}}$, to signal CSC events. This requirement is dictated by certain card and socket-services software. The $\overline{\text{INTA}}$ requirement calls for routing the MFUNC0 terminal for $\overline{\text{INTA}}$ signaling. The INTRTIE bit is used, in this case, to route socket interrupt events to $\overline{\text{INTA}}$. This leaves (at a maximum) six different IRQs to support legacy 16-bit PC Card functions.

As an example, suppose the six IRQs used by legacy PC Card applications are IRQ3, IRQ4, IRQ5, IRQ9, IRQ10, and IRQ15. The multifunction routing status register must be programmed to a value of 0A9F 5432h. This value routes the MFUNC0 terminal to $\overline{\text{INTA}}$ signaling and routes the remaining terminals as illustrated in Figure 3–12. Not shown is that $\overline{\text{INTA}}$ must also be routed to the programmable interrupt controller (PIC), or to some circuitry that provides parallel PCI interrupts to the host.

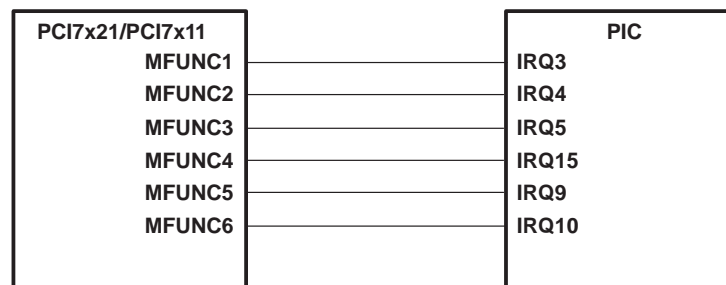


Figure 3–12. IRQ Implementation

Power-on software is responsible for programming the multifunction routing status register to reflect the IRQ configuration of a system implementing the PCI7x21/PCI7x11 controller. The multifunction routing status register is a global register that is shared between the four PCI7x21/PCI7x11 functions. See Section 4.36, *Multifunction Routing Status Register*, for details on configuring the multifunction terminals.

The parallel ISA-type IRQ signaling from the MFUNC6–MFUNC0 terminals is compatible with the input signal requirements of the 8259 PIC. The parallel IRQ option is provided for system designs that require legacy ISA IRQs. Design constraints may demand more MFUNC6–MFUNC0 IRQ terminals than the PCI7x21/PCI7x11 controller makes available.

3.7.4 Using Parallel PCI Interrupts

Parallel PCI interrupts are available when exclusively in parallel PCI interrupt/parallel ISA IRQ signaling mode, and when only IRQs are serialized with the IRQSER protocol. The $\overline{\text{INTA}}$, $\overline{\text{INTB}}$, $\overline{\text{INTC}}$, and $\overline{\text{INTD}}$ can be routed to MFUNC terminals (MFUNC0, MFUNC1, MFUNC2, and MFUNC4). If bit 29 (INTRTIE) is set in the system control register (PCI offset 80h, see Section 4.29), then $\overline{\text{INTA}}$ and $\overline{\text{INTB}}$ are tied internally. When the TIEALL bit is set, all four functions return a value of 01h on reads from the interrupt pin register for both parallel and serial PCI interrupts.

The INTRTIE and TIEALL bits affect the read-only value provided through accesses to the interrupt pin register (PCI offset 3Dh, see Section 4.24). Table 3–12 summarizes the interrupt signaling modes.

Table 3–12. Interrupt Pin Register Cross Reference

INTRTIE Bit	TIEALL Bit	INTPIN Function 0 (CardBus)	INTPIN Function 1 (CardBus)	INTPIN Function 2 (1394 OHCI)	INTPIN Function 3 (Flash Media)	INTPIN Function 4 (SD Host)	INTPIN Function 5 (Smart Card)
0	0	0x01 ($\overline{\text{INTA}}$)	0x02 ($\overline{\text{INTB}}$)	0x03 ($\overline{\text{INTC}}$)	Determined by bits 6–5 (INT_SEL field) in flash media general control register (see Section 11.21)	Determined by bits 6–5 (INT_SEL field) in SD host general control register (see Section 12.22)	Determined by bits 6–5 (INT_SEL field) in Smart Card general control register (see Section 13.22)
1	0	0x01 ($\overline{\text{INTA}}$)	0x01 ($\overline{\text{INTA}}$)	0x03 ($\overline{\text{INTC}}$)			
X	1	0x01 ($\overline{\text{INTA}}$)	0x01 ($\overline{\text{INTA}}$)	0x01 ($\overline{\text{INTA}}$)	0x01 ($\overline{\text{INTA}}$)	0x01 ($\overline{\text{INTA}}$)	0x01 ($\overline{\text{INTA}}$)

3.7.5 Using Serialized IRQSER Interrupts

The serialized interrupt protocol implemented in the PCI7x21/PCI7x11 controller uses a single terminal to communicate all interrupt status information to the host controller. The protocol defines a serial packet consisting of a start cycle, multiple interrupt indication cycles, and a stop cycle. All data in the packet is synchronous with the PCI clock. The packet data describes 16 parallel ISA IRQ signals and the optional 4 PCI interrupts INTA, INTB, INTC, and INTD. For details on the IRQSER protocol, refer to the document *Serialized IRQ Support for PCI Systems*.

3.7.6 SMI Support in the PCI7x21/PCI7x11 Controller

The PCI7x21/PCI7x11 controller provides a mechanism for interrupting the system when power changes have been made to the PC Card socket interfaces. The interrupt mechanism is designed to fit into a system maintenance interrupt (SMI) scheme. SMI interrupts are generated by the PCI7x21/PCI7x11 controller, when enabled, after a write cycle to either the socket control register (CB offset 10h, see Section 6.5) of the CardBus register set, or the ExCA power control register (ExCA offset 02h/42h/802h, see Section 5.3) causes a power cycle change sequence to be sent on the power switch interface.

The SMI control is programmed through three bits in the system control register (PCI offset 80h, see Section 4.29). These bits are SMIRROUTE (bit 26), SMISTATUS (bit 25), and SMIENB (bit 24). Table 3–13 describes the SMI control bits function.

Table 3–13. SMI Control

BIT NAME	FUNCTION
SMIRROUTE	This shared bit controls whether the SMI interrupts are sent as a CSC interrupt or as IRQ2.
SMISTAT	This socket-dependent bit is set when an SMI interrupt is pending. This status flag is cleared by writing back a 1.
SMIENB	When set, SMI interrupt generation is enabled. This bit is shared by functions 0 and 1.

If CSC SMI interrupts are selected, then the SMI interrupt is sent as the CSC on a per-socket basis. The CSC interrupt can be either level or edge mode, depending upon the CSCMODE bit in the ExCA global control register (ExCA offset 1Eh/5Eh/81Eh, see Section 5.20).

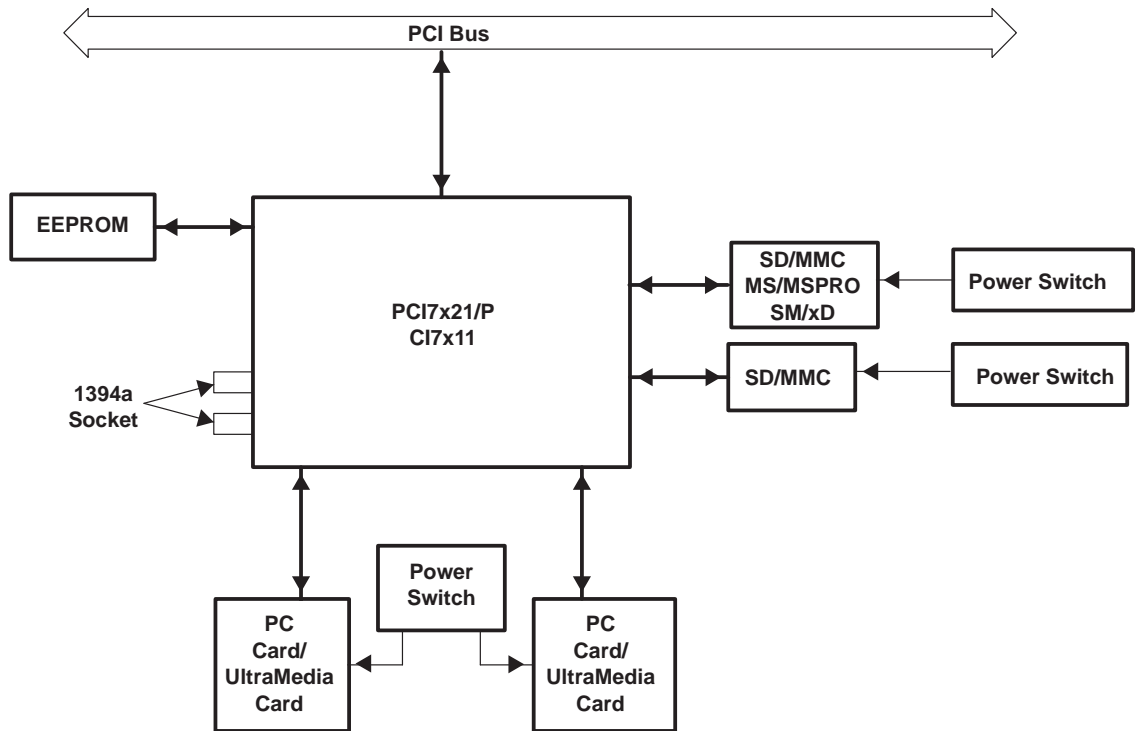
If IRQ2 is selected by SMIRROUTE, then the IRQSER signaling protocol supports SMI signaling in the IRQ2 IRQ/Data slot. In a parallel ISA IRQ system, the support for an active low IRQ2 is provided only if IRQ2 is routed to either MFUNC3 or MFUNC6 through the multifunction routing status register (PCI offset 8Ch, see Section 4.36).

3.8 Power Management Overview

In addition to the low-power CMOS technology process used for the PCI7x21/PCI7x11 controller, various features are designed into the controller to allow implementation of popular power-saving techniques. These features and techniques are as follows:

- Clock run protocol
- Cardbus PC Card power management
- 16-bit PC Card power management
- Suspend mode

- Ring indicate
- PCI power management
- Cardbus bridge power management
- ACPI support



† The system connection to $\overline{\text{GRST}}$ is implementation-specific. $\overline{\text{GRST}}$ must be asserted on initial power up of the PCI7x21/PCI7x11 controller. $\overline{\text{PRST}}$ must be asserted for subsequent warm resets.

Figure 3–13. System Diagram Implementing CardBus Device Class Power Management

3.8.1 1394 Power Management (Function 2)

The PCI7x21/PCI7x11 controller complies with *PCI Bus Power Management Interface Specification*. The controller supports the D0 (uninitialized), D0 (active), D1, D2, and D3 power states as defined by the power-management definition in the *1394 Open Host Controller Interface Specification*, Appendix A.4 and *PCI Bus Power Management Specification*. $\overline{\text{PME}}$ is supported to provide notification of wake events. Per Section A.4.2, the 1394 OHCI sets PMCSR.PME_STS in the D0 state due to unmasked interrupt events. In previous OHCI implementations, unmasked interrupt events were interpreted as (IntEvent.n && IntMask.n && IntMask.masterIntEnable), where n represents a specific interrupt event. Based on feedback from Microsoft this implementation may cause problems with the existing Windows power-management architecture as a $\overline{\text{PME}}$ and an interrupt could be simultaneously signaled on a transition from the D1 to D0 state where interrupts were enabled to generate wake events. If bit 10 (ignore_mstrIntEna_for_pme) in the PCI miscellaneous configuration register (OHCI offset F0h, see Section 7.23) is set, then the PCI7x21/PCI7x11 controller implements the preferred behavior as (IntEvent.n && IntMask.n). Otherwise, the PCI7x21/PCI7x11 controller implements the preferred behavior as (IntEvent.n && IntMask.n && IntMask.masterIntEnable). In addition, when the ignore_mstrIntEna_for_pme bit is set, it causes bit 26 of the OHCI vendor ID register (OHCI offset 40h, see Section 8.15) to read 1, otherwise, bit 26 reads 0. An open drain buffer is used for $\overline{\text{PME}}$. If $\overline{\text{PME}}$ is enabled in the power management control/status register (PCI offset A4h, see Section 4.44), then insertion of a PC Card causes the PCI7x21/PCI7x11 controller to assert $\overline{\text{PME}}$, which wakes the system from a low power state (D3, D2, or D1). The OS services PME and takes the PCI7x21/PCI7x11 controller to the D0 state.

3.8.2 Integrated Low-Dropout Voltage Regulator (LDO-VR)

The PCI7x21/PCI7x11 controller requires 1.5-V core voltage. The core power can be supplied by the PCI7x21/PCI7x11 controller itself using the internal LDO-VR. The core power can alternatively be supplied by an external power supply through the VR_PORT terminal. Table 3–14 lists the requirements for both the internal core power supply and the external core power supply.

Table 3–14. Requirements for Internal/External 1.5-V Core Power Supply

SUPPLY	VCC	VR_EN	VR_PORT	NOTE
Internal	3.3 V	GND	1.5-V output	Internal 1.5-V LDO-VR is enabled. A 1.0- μ F bypass capacitor is required on the VR_PORT terminal for decoupling. This output is not for external use.
External	3.3 V	VCC	1.5-V input	Internal 1.5-V LDO-VR is disabled. An external 1.5-V power supply, of minimum 50-mA capacity, is required. A 0.1- μ F bypass capacitor on the VR_PORT terminal is required.

3.8.3 CardBus (Functions 0 and 1) Clock Run Protocol

The PCI $\overline{\text{CLKRUN}}$ feature is the primary method of power management on the PCI interface of the PCI7x21/PCI7x11 controller. $\overline{\text{CLKRUN}}$ signaling is provided through the MFUNC6 terminal. Since some chip sets do not implement $\overline{\text{CLKRUN}}$, this is not always available to the system designer, and alternate power-saving features are provided. For details on the $\overline{\text{CLKRUN}}$ protocol see the *PCI Mobile Design Guide*.

The PCI7x21/PCI7x11 controller does not permit the central resource to stop the PCI clock under any of the following conditions:

- Bit 1 (KEEPCLK) in the system control register (PCI offset 80h, see Section 4.29) is set.
- The 16-bit PC Card resource manager is busy.
- The PCI7x21/PCI7x11 CardBus master state machine is busy. A cycle may be in progress on CardBus.
- The PCI7x21/PCI7x11 master is busy. There may be posted data from CardBus to PCI in the PCI7x21/PCI7x11 controller.
- Interrupts are pending.
- The CardBus CCLK for the socket has not been stopped by the PCI7x21/PCI7x11 $\overline{\text{CCLKRUN}}$ manager.
- Bit 0 (KEEP_PCLK) in the miscellaneous configuration register (PCI offset F0h, see Section 7.23) is set.
- The 1394 resource manager is busy.
- The PCI7x21/PCI7x11 1394 master state machine is busy. A cycle may be in progress on 1394.
- The PCI7x21/PCI7x11 master is busy. There may be posted data from the 1394 bus to PCI in the PCI7x21/PCI7x11 controller.
- PC Card interrogation is in progress.
- The 1394 bus is not idle.

The PCI7x21/PCI7x11 controller restarts the PCI clock using the $\overline{\text{CLKRUN}}$ protocol under any of the following conditions:

- A 16-bit PC Card $\overline{\text{IREQ}}$ or a CardBus $\overline{\text{CINT}}$ has been asserted by either card.
- A CardBus CBWAKE (CSTSCHG) or 16-bit PC Card $\overline{\text{STSCHG/RI}}$ event occurs in the socket.
- A CardBus attempts to start the CCLK using $\overline{\text{CCLKRUN}}$.
- A CardBus card arbitrates for the CardBus bus using $\overline{\text{CREQ}}$.
- A 1394 device changes the status of the twisted pair lines from idle to active.
- Bit 1 (KEEPCLK) in the system control register (PCI offset 80h, see Section 4.29) is set.
- Data is in any of the FIFOs (receive or transmit).
- The master state machine is busy.
- There are pending interrupts.

3.8.4 CardBus PC Card Power Management

The PCI7x21/PCI7x11 controller implements its own card power-management engine that can turn off the CCLK to a socket when there is no activity to the CardBus PC Card. The PCI clock-run protocol is followed on the CardBus $\overline{\text{CCLKRUN}}$ interface to control this clock management.

3.8.5 16-Bit PC Card Power Management

The COE bit (bit 7) of the ExCA power control register (ExCA offset 02h/42h/802h, see Section 5.3) and PWRDWN bit (bit 0) of the ExCA global control register (ExCA offset 1Eh/5Eh/81Eh, see Section 5.20) are provided for 16-bit PC Card power management. The COE bit places the card interface in a high-impedance state to save power. The power savings when using this feature are minimal. The COE bit resets the PC Card when used, and the PWRDWN bit does not. Furthermore, the PWRDWN bit is an automatic COE, that is, the PWRDWN performs the COE function when there is no card activity.

NOTE: The 16-bit PC Card must implement the proper pullup resistors for the COE and PWRDWN modes.

3.8.6 Suspend Mode

The $\overline{\text{SUSPEND}}$ signal, provided for backward compatibility, gates the $\overline{\text{PRST}}$ (PCI reset) signal and the $\overline{\text{GRST}}$ (global reset) signal from the PCI7x21/PCI7x11 controller. Besides gating $\overline{\text{PRST}}$ and $\overline{\text{GRST}}$, $\overline{\text{SUSPEND}}$ also gates PCLK inside the PCI7x21/PCI7x11 controller in order to minimize power consumption.

It should also be noted that asynchronous signals, such as card status change interrupts and $\overline{\text{RI_OUT}}$, can be passed to the host system without a PCI clock. However, if card status change interrupts are routed over the serial interrupt stream, then the PCI clock must be restarted in order to pass the interrupt, because neither the internal oscillator nor an external clock is routed to the serial-interrupt state machine. Figure 3–14 is a signal diagram of the suspend function.

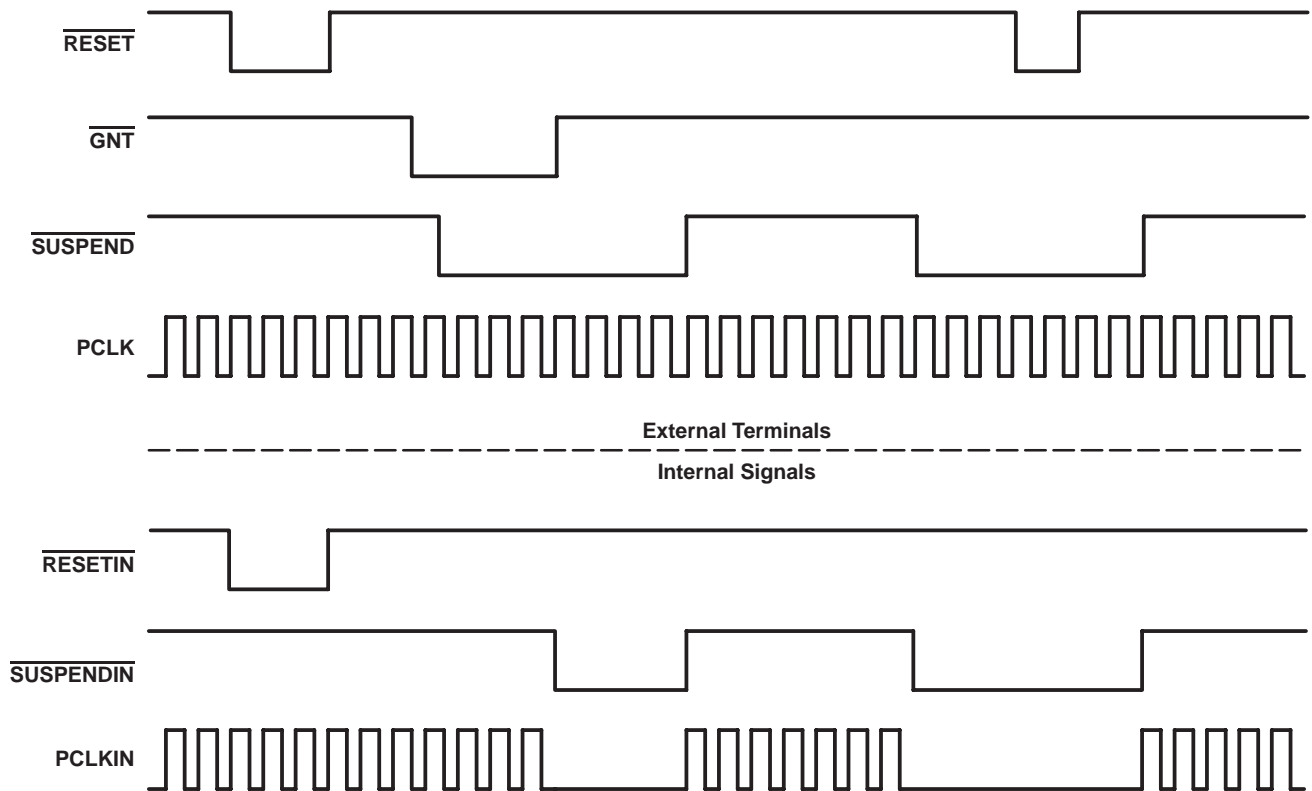


Figure 3–14. Signal Diagram of Suspend Function

3.8.7 Requirements for Suspend Mode

The suspend mode prevents the clearing of all register contents on the assertion of reset ($\overline{\text{PRST}}$ or $\overline{\text{GRST}}$) which would require the reconfiguration of the PCI7x21/PCI7x11 controller by software. Asserting the $\overline{\text{SUSPEND}}$ signal

places the PCI outputs of the controller in a high-impedance state and gates the PCLK signal internally to the controller unless a PCI transaction is currently in process ($\overline{\text{GNT}}$ is asserted). It is important that the PCI bus not be parked on the PCI7x21/PCI7x11 controller when $\overline{\text{SUSPEND}}$ is asserted because the outputs are in a high-impedance state.

The GPIOs, MFUNC signals, and $\overline{\text{RI_OUT}}$ signal are all active during $\overline{\text{SUSPEND}}$, unless they are disabled in the appropriate PCI7x21/PCI7x11 registers.

3.8.8 Ring Indicate

The $\overline{\text{RI_OUT}}$ output is an important feature in power management, allowing a system to go into a suspended mode and wake-up on modem rings and other card events. TI-designed flexibility permits this signal to fit wide platform requirements. $\overline{\text{RI_OUT}}$ on the PCI7x21/PCI7x11 controller can be asserted under any of the following conditions:

- A 16-bit PC Card modem in a powered socket asserts $\overline{\text{RI}}$ to indicate to the system the presence of an incoming call.
- A powered down CardBus card asserts CSTSCHG (CBWAKE) requesting system and interface wake-up.
- A powered CardBus card asserts CSTSCHG from the insertion/removal of cards or change in battery voltage levels.

Figure 3–15 shows various enable bits for the PCI7x21/PCI7x11 $\overline{\text{RI_OUT}}$ function; however, it does not show the masking of CSC events. See Table 3–10 for a detailed description of CSC interrupt masks and flags.

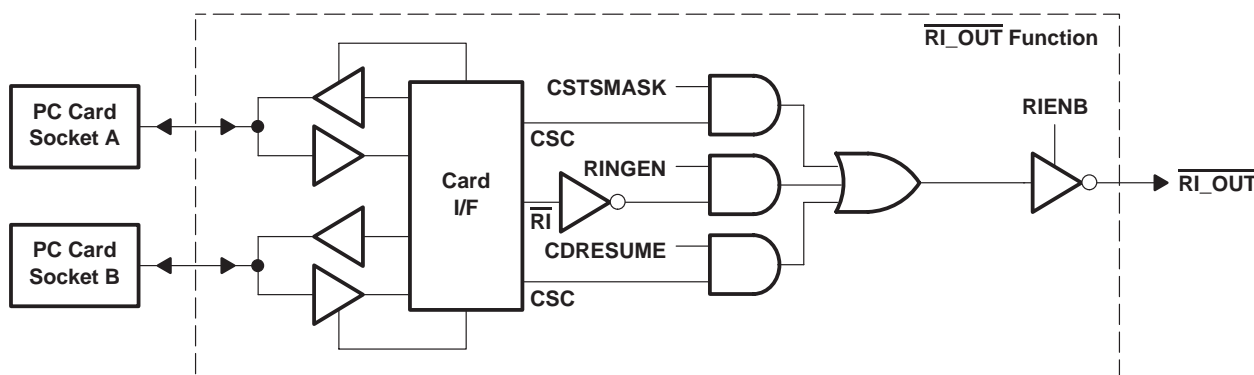


Figure 3–15. $\overline{\text{RI_OUT}}$ Functional Diagram

$\overline{\text{RI}}$ from the 16-bit PC Card interface is masked by bit 7 (RINGEN) in the ExCA interrupt and general control register (ExCA offset 03h/43h/803h, see Section 5.4). This is programmed on a per-socket basis and is only applicable when a 16-bit card is powered in the socket.

The CBWAKE signaling to $\overline{\text{RI_OUT}}$ is enabled through the same mask as the CSC event for CSTSCHG. The mask bit (bit 0, CSTSMASK) is programmed through the socket mask register (CB offset 04h, see Section 6.2) in the CardBus socket registers.

$\overline{\text{RI_OUT}}$ can be routed through any of three different pins, $\overline{\text{RI_OUT/PME}}$, MFUNC2, or MFUNC4. The $\overline{\text{RI_OUT}}$ function is enabled by setting bit 7 (RIENB) in the card control register (PCI offset 91h, see Section 4.38). The $\overline{\text{PME}}$ function is enabled by setting bit 8 (PME_ENABLE) in the power-management control/status register (PCI offset A4h, see Section 4.44). When bit 0 (RIMUX) in the system control register (PCI offset 80h, see Section 4.29) is set to 0, both the $\overline{\text{RI_OUT}}$ function and the $\overline{\text{PME}}$ function are routed to the $\overline{\text{RI_OUT/PME}}$ terminal. If both functions are enabled and RIMUX is set to 0, then the $\overline{\text{RI_OUT/PME}}$ terminal becomes $\overline{\text{RI_OUT}}$ only and $\overline{\text{PME}}$ assertions are never seen. Therefore, in a system using both the $\overline{\text{RI_OUT}}$ function and the $\overline{\text{PME}}$ function, RIMUX must be set to 1 and $\overline{\text{RI_OUT}}$ must be routed to either MFUNC2 or MFUNC4.

3.8.9 PCI Power Management

3.8.9.1 CardBus Power Management (Functions 0 and 1)

The *PCI Bus Power Management Interface Specification for PCI to CardBus Bridges* establishes the infrastructure required to let the operating system control the power of PCI functions. This is done by defining a standard PCI interface and operations to manage the power of PCI functions on the bus. The PCI bus and the PCI functions can be assigned one of seven power-management states, resulting in varying levels of power savings.

The seven power-management states of PCI functions are:

- D0-uninitialized – Before controller configuration, controller not fully functional
- D0-active – Fully functional state
- D1 – Low-power state
- D2 – Low-power state
- D3_{hot} – Low-power state. Transition state before D3_{cold}
- D3_{cold} – $\overline{\text{PME}}$ signal-generation capable. Main power is removed and VAUX is available.
- D3_{off} – No power and completely nonfunctional

NOTE 1: In the D0-uninitialized state, the PCI7x21/PCI7x11 controller does not generate $\overline{\text{PME}}$ and/or interrupts. When bits 0 (IO_EN) and 1 (MEM_EN) of the command register (PCI offset 04h, see Section 4.4) are both set, the PCI7x21/PCI7x11 controller switches the state to D0-active. Transition from D3_{cold} to the D0-uninitialized state happens at the deassertion of $\overline{\text{PRST}}$. The assertion of $\overline{\text{GRST}}$ forces the controller to the D0-uninitialized state immediately.

NOTE 2: The PWR_STATE bits (bits 1–0) of the power-management control/status register (PCI offset A4h, see Section 4.44) only code for four power states, D0, D1, D2, and D3_{hot}. The differences between the three D3 states is invisible to the software because the controller is not accessible in the D3_{cold} or D3_{off} state.

Similarly, bus power states of the PCI bus are B0–B3. The bus power states B0–B3 are derived from the device power state of the originating bridge device.

For the operating system (OS) to manage the controller power states on the PCI bus, the PCI function must support four power-management operations. These operations are:

- Capabilities reporting
- Power status reporting
- Setting the power state
- System wake-up

The OS identifies the capabilities of the PCI function by traversing the new capabilities list. The presence of capabilities in addition to the standard PCI capabilities is indicated by a 1 in bit 4 (CAPLIST) of the status register (PCI offset 06h, see Section 4.5).

The capabilities pointer provides access to the first item in the linked list of capabilities. For the PCI7x21/PCI7x11 controller, a CardBus bridge with PCI configuration space header type 2, the capabilities pointer is mapped to an offset of 14h. The first byte of each capability register block is required to be a unique ID of that capability. PCI power management has been assigned an ID of 01h. The next byte is a pointer to the next pointer item in the list of capabilities. If there are no more items in the list, then the next item pointer must be set to 0. The registers following the next item pointer are specific to the capability of the function. The PCI power-management capability implements the register block outlined in Table 3–15.

Table 3–15. Power-Management Registers

REGISTER NAME			OFFSET	
Power-management capabilities		Next item pointer	Capability ID	A0h
Data	Power-management control/status register bridge support extensions	Power-management control/status (CSR)		A4h

The power-management capabilities register (PCI offset A2h, see Section 4.43) provides information on the capabilities of the function related to power management. The power-management control/status register (PCI offset A4h, see Section 4.44) enables control of power-management states and enables/monitors power-management events. The data register is an optional register that can provide dynamic data.

For more information on PCI power management, see the *PCI Bus Power Management Interface Specification for PCI to CardBus Bridges*.

3.8.9.2 OHCI 1394 (Function 2) Power Management

The PCI7x21/PCI7x11 controller complies with the *PCI Bus Power Management Interface Specification*. The controller supports the D0 (uninitialized), D0 (active), D1, D2, and D3 power states as defined by the power management definition in the *1394 Open Host Controller Interface Specification*, Appendix A4.

Table 3–16. Function 2 Power-Management Registers

REGISTER NAME			OFFSET	
Power-management capabilities		Next item pointer	Capability ID	44h
Data	Power-management control/status register bridge support extensions	Power-management control/status (CSR)		48h

3.8.9.3 Flash Media (Function 3) Power Management

The *PCI Bus Power Management Interface Specification* is applicable for the flash media dedicated sockets. This function supports the D0 and D3 power states.

Table 3–17. Function 3 Power-Management Registers

REGISTER NAME			OFFSET	
Power-management capabilities		Next item pointer	Capability ID	44h
Data	Power-management control/status register bridge support extensions	Power-management control/status (CSR)		48h

3.8.9.4 SD Host (Function 4) Power Management

The *PCI Bus Power Management Interface Specification* is applicable for the SD host dedicated sockets. This function supports the D0 and D3 power states.

Table 3–18. Function 4 Power-Management Registers

REGISTER NAME			OFFSET	
Power-management capabilities		Next item pointer	Capability ID	80h
Data	Power-management control/status register bridge support extensions	Power-management control/status (CSR)		84h

3.8.9.5 Smart Card (Function 5) Power Management

The *PCI Bus Power Management Interface Specification* is applicable for the Smart Card dedicated sockets. This function supports the D0 and D3 power states.

Table 3–19. Function 5 Power-Management Registers

REGISTER NAME			OFFSET	
Power-management capabilities		Next item pointer	Capability ID	44h
Data	Power-management control/status register bridge support extensions	Power-management control/status (CSR)		48h

3.8.10 CardBus Bridge Power Management

The *PCI Bus Power Management Interface Specification for PCI to CardBus Bridges* was approved by PCMCIA in December of 1997. This specification follows the device and bus state definitions provided in the *PCI Bus Power Management Interface Specification* published by the PCI Special Interest Group (SIG). The main issue addressed in the *PCI Bus Power Management Interface Specification for PCI to CardBus Bridges* is wake-up from D3_{hot} or D3_{cold} without losing wake-up context (also called PME context).

The specific issues addressed by the *PCI Bus Power Management Interface Specification for PCI to CardBus Bridges* for D3 wake-up are as follows:

- Preservation of device context. The specification states that a reset must occur during the transition from D3 to D0. Some method to preserve wake-up context must be implemented so that the reset does not clear the PME context registers.
- Power source in D3_{cold} if wake-up support is required from this state.

The Texas Instruments PCI7x21/PCI7x11 controller addresses these D3 wake-up issues in the following manner:

- Two resets are provided to handle preservation of $\overline{\text{PME}}$ context bits:
 - Global reset ($\overline{\text{GRST}}$) is used only on the initial boot up of the system after power up. It places the PCI7x21/PCI7x11 controller in its default state and requires BIOS to configure the controller before becoming fully functional.
 - PCI reset ($\overline{\text{PRST}}$) has dual functionality based on whether $\overline{\text{PME}}$ is enabled or not. If $\overline{\text{PME}}$ is enabled, then $\overline{\text{PME}}$ context is preserved. If $\overline{\text{PME}}$ is not enabled, then $\overline{\text{PRST}}$ acts the same as a normal PCI reset. Please see the master list of $\overline{\text{PME}}$ context bits in Section 3.8.12.
- Power source in D3_{cold} if wake-up support is required from this state. Since V_{CC} is removed in D3_{cold}, an auxiliary power source must be supplied to the PCI7x21/PCI7x11 V_{CC} terminals. Consult the *PCI14xx Implementation Guide for D3 Wake-Up* or the *PCI Power Management Interface Specification for PCI to CardBus Bridges* for further information.

3.8.11 ACPI Support

The *Advanced Configuration and Power Interface (ACPI) Specification* provides a mechanism that allows unique pieces of hardware to be described to the ACPI driver. The PCI7x21/PCI7x11 controller offers a generic interface that is compliant with ACPI design rules.

Two doublewords of general-purpose ACPI programming bits reside in PCI7x21/PCI7x11 PCI configuration space at offset 88h. The programming model is broken into status and control functions. In compliance with ACPI, the top level event status and enable bits reside in the general-purpose event status register (PCI offset 88h, see Section 4.32) and general-purpose event enable register (PCI offset 89h, see Section 4.33). The status and enable bits are implemented as defined by ACPI and illustrated in Figure 3–16.

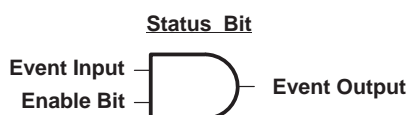


Figure 3–16. Block Diagram of a Status/Enable Cell

The status and enable bits generate an event that allows the ACPI driver to call a control method associated with the pending status bit. The control method can then control the hardware by manipulating the hardware control bits or by investigating child status bits and calling their respective control methods. A hierarchical implementation would be somewhat limiting, however, as upstream devices would have to remain in some level of power state to report events.

For more information of ACPI, see the *Advanced Configuration and Power Interface (ACPI) Specification*.

3.8.12 Master List of $\overline{\text{PME}}$ Context Bits and Global Reset-Only Bits

$\overline{\text{PME}}$ context bit means that the bit is cleared only by the assertion of $\overline{\text{GRST}}$ when the $\overline{\text{PME}}$ enable bit, bit 8 of the power management control/status register (PCI offset A4h, see Section 4.44) is set. If $\overline{\text{PME}}$ is not enabled, then these bits are cleared when either $\overline{\text{PRST}}$ or $\overline{\text{GRST}}$ is asserted.

The $\overline{\text{PME}}$ context bits (functions 0 and 1) are:

- Bridge control register (PCI offset 3Eh, see Section 4.25): bit 6
- System control register (PCI offset 80h, see Section 4.29): bits 10–8
- Power management control/status register (PCI offset A4h, see Section 4.44): bit 15
- ExCA power control register (ExCA 802h/842h, see Section 5.3): bits 7, 5 (82365SL mode only), 4, 3, 1, 0
- ExCA interrupt and general control (ExCA 803h/843h, see Section 5.4): bits 6, 5
- ExCA card status-change register (ExCA 804h/844h, see Section 5.5): bits 3–0

- ExCA card status-change interrupt configuration register (ExCA 805h/845h, see Section 5.6): bits 3–0
- ExCA card detect and general control register (ExCA 816h/856h, see Section 5.19): bits 7, 6
- Socket event register (CardBus offset 00h, see Section 6.1): bits 3–0
- Socket mask register (CardBus offset 04h, see Section 6.2): bits 3–0
- Socket present state register (CardBus offset 08h, see Section 6.3): bits 13–7, 5–1
- Socket control register (CardBus offset 10h, see Section 6.5): bits 6–4, 2–0

Global reset-only bits, as the name implies, are cleared only by $\overline{\text{GRST}}$. These bits are never cleared by $\overline{\text{PRST}}$, regardless of the setting of the $\overline{\text{PME}}$ enable bit. The $\overline{\text{GRST}}$ signal is gated only by the $\overline{\text{SUSPEND}}$ signal. This means that assertion of $\overline{\text{SUSPEND}}$ blocks the $\overline{\text{GRST}}$ signal internally, thus preserving all register contents. Figure 3–13 is a diagram showing the application of $\overline{\text{GRST}}$ and $\overline{\text{PRST}}$.

The global reset-only bits (functions 0 and 1) are:

- Status register (PCI offset 06h, see Section 4.5): bits 15–11, 8
- Secondary status register (PCI offset 16h, see Section 4.14): bits 15–11, 8
- Subsystem vendor ID register (PCI offset 40h, see Section 4.26): bits 15–0
- Subsystem ID register (PCI offset 42h, see Section 4.27): bits 15–0
- PC Card 16-bit I/F legacy-mode base-address register (PCI offset 44h, see Section 4.28): bits 31–0
- System control register (PCI offset 80h, see Section 4.29): bits 31–24, 22–13, 11, 6–0
- MC_CD debounce register (PCI offset 84h, see Section 4.30): bits 7–0
- General control register (PCI offset 86h, see Section 4.31): bits 13–10, 7, 5–3, 1, 0
- General-purpose event status register (PCI offset 88h, see Section 4.32): bits 7, 6, 4–0
- General-purpose event enable register (PCI offset 89h, see Section 4.33): bits 7, 6, 4–0
- General-purpose output register (PCI offset 8Bh, see Section 4.35): bits 4–0
- Multifunction routing register (PCI offset 8Ch, see Section 4.36): bits 31–0
- Retry status register (PCI offset 90h, see Section 4.37): bits 7–5, 3, 1
- Card control register (PCI offset 91h, see Section 4.38): bits 7, 2–0
- Device control register (PCI offset 92h, see Section 4.39): bits 7–5, 3–0
- Diagnostic register (PCI offset 93h, see Section 4.40): bits 7–0
- Power management capabilities register (PCI offset A2h, see Section 4.43): bit 15
- Power management CSR register (PCI offset A4h, see Section 4.44): bits 15, 8
- Serial bus data register (PCI offset B0h, see Section 4.47): bits 7–0
- Serial bus index register (PCI offset B1h, see Section 4.48): bits 7–0
- Serial bus slave address register (PCI offset B2h, see Section 4.49): bits 7–0
- Serial bus control/status register (PCI offset B3h, see Section 4.50): bits 7, 3–0
- ExCA identification and revision register (ExCA 800h/840h, see Section 5.1): bits 7–0
- ExCA global control register (ExCA 81Eh/85Eh, see Section 5.20): bits 2–0
- CardBus socket power management register (CardBus 20h, see Section 6.6): bits 25, 24

The global reset-only bit (function 2) is:

- Subsystem vendor ID register (PCI offset 2Ch, see Section 7.12): bits 15–0
- Subsystem ID register (PCI offset 2Eh, see Section 7.12): bits 31–16
- Minimum grant and maximum latency register (PCI offset 3Eh, see Section 7.16): bits 15–0
- Power management control and status register (PCI offset 48h, see Section 7.20): bits 15, 8, 1, 0
- Miscellaneous configuration register (PCI offset F0h, see Section 7.23): bits 15, 11–8, 5–0
- Link enhancement control register (PCI offset F4h, see Section 7.24): bits 15–12, 10, 8, 7, 2, 1
- Bus options register (OHCI offset 20h, see Section 8.9): bits 15–12
- GUID high register (OHCI offset 24h, see Section 8.10): bits 31–0
- GUID low register (OHCI offset 28h, see Section 8.11): bits 31–0
- Host controller control register (OHCI offset 50h/54h, see Section 8.16): bit 23
- Link control register (OHCI offset E0h/E4h, see Section 8.31): bit 6
- PHY-link loopback test register (Local offset C14h): bits 6–4, 0
- Link test control register (Local offset C00h): bits 12–8

The global reset-only (function 3) register bits:

- Subsystem vendor ID register (PCI offset 2Ch, see Section 11.9): bits 15–0
- Subsystem ID register (PCI offset 2Eh, see Section 11.10): bits 15–0
- Power management control and status register (PCI offset 48h, see Section 11.18): bits 15, 8, 1, 0
- General control register (PCI offset 4Ch, see Section 11.21): bits 6–4, 2–0
- Diagnostic register (PCI offset 54h, see Section 11.23): bits 31–0

The global reset-only (function 4) register bits:

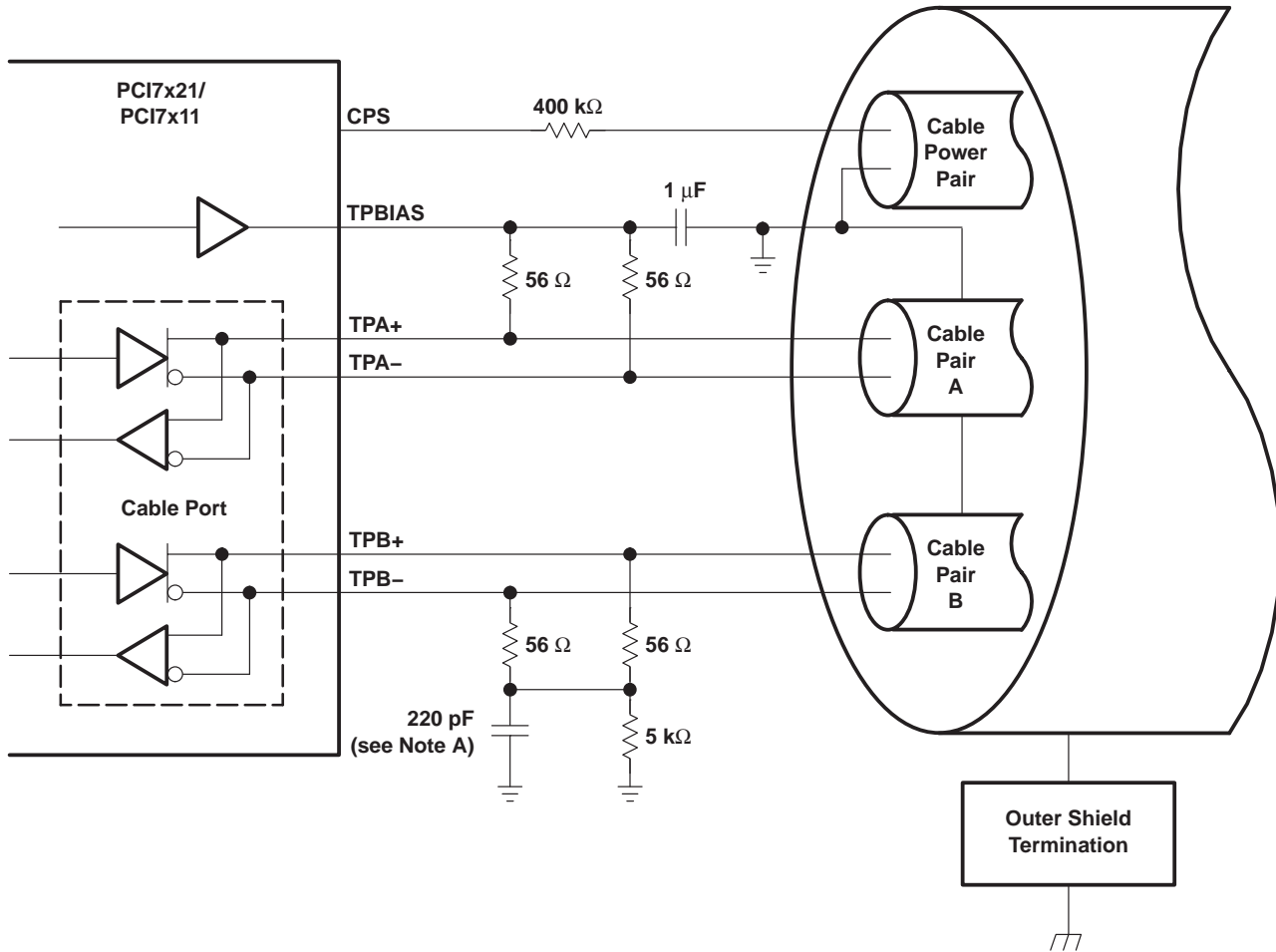
- Subsystem vendor ID register (PCI offset 2Ch, see Section 12.9): bits 15–0
- Subsystem ID register (PCI offset 2Eh, see Section 12.10): bits 15–0
- Power management control and status register (PCI offset 84h, see Section 12.19): bits 15, 8, 1, 0
- General control register (PCI offset 88h, see Section 12.22): bits 6–4, 0
- Diagnostic register (PCI offset 90h, see Section 12.24): bits 31–0

The global reset-only (function 5) register bits:

- Subsystem vendor ID register (PCI offset 2Ch, see Section 13.10): bits 15–0
- Subsystem ID register (PCI offset 2Eh, see Section 13.11): bits 15–0
- Power management control and status register (PCI offset 48h, see Section 13.19): bits 15, 8, 1, 0
- General control register (PCI offset 4Ch, see Section 13.22): bits 6–4, 0

3.9 IEEE 1394 Application Information

3.9.1 PHY Port Cable Connection



NOTE A: IEEE Std 1394-1995 calls for a 250-pF capacitor, which is a nonstandard component value. A 220-pF capacitor is recommended.

Figure 3–17. TP Cable Connections

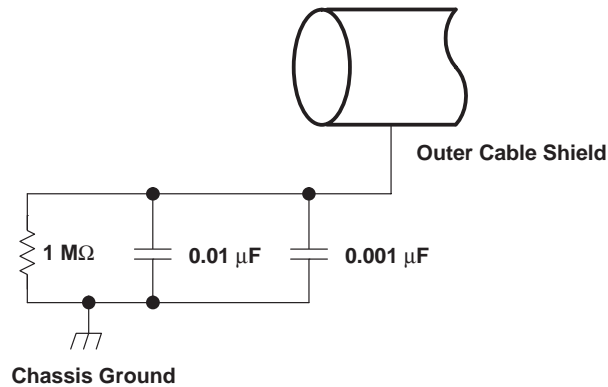


Figure 3–18. Typical Compliant DC Isolated Outer Shield Termination

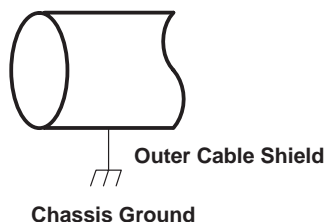


Figure 3–19. Non-DC Isolated Outer Shield Termination

3.9.2 Crystal Selection

The PCI7x21/PCI7x11 controller is designed to use an external 24.576-MHz crystal connected between the XI and XO terminals to provide the reference for an internal oscillator circuit. This oscillator in turn drives a PLL circuit that generates the various clocks required for transmission and resynchronization of data at the S100 through S400 media data rates.

A variation of less than ± 100 ppm from nominal for the media data rates is required by IEEE Std 1394-1995. Adjacent PHYs may therefore have a difference of up to 200 ppm from each other in their internal clocks, and PHY devices must be able to compensate for this difference over the maximum packet length. Large clock variations may cause resynchronization overflows or underflows, resulting in corrupted packet data.

The following are some typical specifications for crystals used with the PHYs from TI in order to achieve the required frequency accuracy and stability:

- Crystal mode of operation: Fundamental
- Frequency tolerance @ 25°C: Total frequency variation for the complete circuit is ± 100 ppm. A crystal with ± 30 ppm frequency tolerance is recommended for adequate margin.
- Frequency stability (over temperature and age): A crystal with ± 30 ppm frequency stability is recommended for adequate margin.

NOTE: The total frequency variation must be kept below ± 100 ppm from nominal with some allowance for error introduced by board and device variations. Trade-offs between frequency tolerance and stability may be made as long as the total frequency variation is less than ± 100 ppm. For example, the frequency tolerance of the crystal may be specified at 50 ppm and the temperature tolerance may be specified at 30 ppm to give a total of 80 ppm possible variation due to the crystal alone. Crystal aging also contributes to the frequency variation.

- Load capacitance: For parallel resonant mode crystal circuits, the frequency of oscillation is dependent upon the load capacitance specified for the crystal. Total load capacitance (C_L) is a function of not only the discrete load capacitors, but also board layout and circuit. It is recommended that load capacitors with a maximum of $\pm 5\%$ tolerance be used.

For example, load capacitors (C9 and C10 in Figure 3–20) of 16 pF each were appropriate for the layout of the PCI7x21/PCI7x11 evaluation module (EVM), which uses a crystal specified for 12-pF loading. The load specified for the crystal includes the load capacitors (C9 and C10), the loading of the PHY pins (C_{PHY}), and the loading of the board itself (C_{BD}). The value of C_{PHY} is typically about 1 pF, and C_{BD} is typically 0.8 pF per centimeter of board etch; a *typical* board can have 3 pF to 6 pF or more. The load capacitors C9 and C10 combine as capacitors in series so that the total load capacitance is:

$$C_L = \frac{C9 \times C10}{C9 + C10} + C_{PHY} + C_{BD}$$

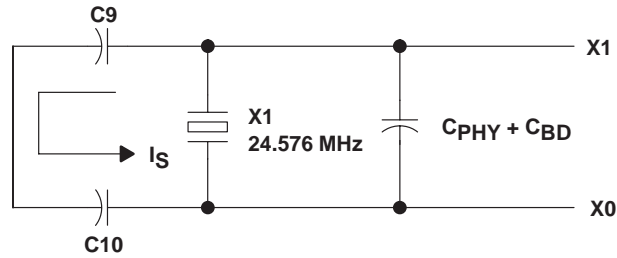
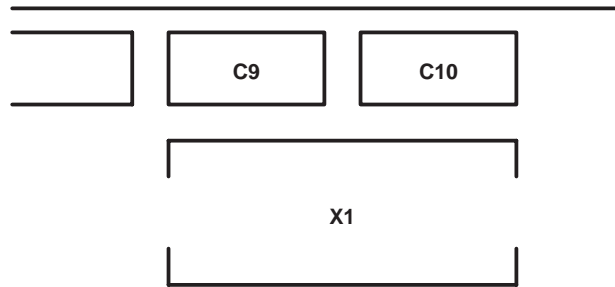


Figure 3–20. Load Capacitance for the PCI7x21/PCI7x11 PHY

The layout of the crystal portion of the PHY circuit is important for obtaining the correct frequency, minimizing noise introduced into the PHY phase-lock loop, and minimizing any emissions from the circuit. The crystal and two load capacitors must be considered as a unit during layout. The crystal and the load capacitors must be placed as close as possible to one another while minimizing the loop area created by the combination of the three components. Varying the size of the capacitors may help in this. Minimizing the loop area minimizes the effect of the resonant current (I_s) that flows in this resonant circuit. This layout unit (crystal and load capacitors) must then be placed as close as possible to the PHY X1 and X0 terminals to minimize etch lengths, as shown in Figure 3–21.



For more details on crystal selection, see application report SLLA051 available from the TI website: <http://www.ti.com/sc/1394>.

Figure 3–21. Recommended Crystal and Capacitor Layout

3.9.3 Bus Reset

In the PCI7x21/PCI7x11 controller, the initiate bus reset (IBR) bit may be set to 1 in order to initiate a bus reset and initialization sequence. The IBR bit is located in PHY register 1, along with the root-holdoff bit (RHB) and Gap_Count field, as required by IEEE Std 1394a-2000. Therefore, whenever the IBR bit is written, the RHB and Gap_Count are also written.

The RHB and Gap_Count may also be updated by PHY-config packets. The PCI7x21/PCI7x11 controller is IEEE 1394a-2000 compliant, and therefore both the reception and transmission of PHY-config packets cause the RHB and Gap_Count to be loaded, unlike older IEEE 1394-1995 compliant PHY devices which decode only received PHY-config packets.

The gap-count is set to the maximum value of 63 after 2 consecutive bus resets without an intervening write to the Gap_Count, either by a write to PHY register 1 or by a PHY-config packet. This mechanism allows a PHY-config packet to be transmitted and then a bus reset initiated so as to verify that all nodes on the bus have updated their RHBs and Gap_Count values, without having the Gap_Count set back to 63 by the bus reset. The subsequent connection of a new node to the bus, which initiates a bus reset, then causes the Gap_Count of each node to be set to 63. Note, however, that if a subsequent bus reset is instead initiated by a write to register 1 to set the IBR bit, all other nodes on the bus have their Gap_Count values set to 63, while this node Gap_Count remains set to the value just loaded by the write to PHY register 1.

Therefore, in order to maintain consistent gap-counts throughout the bus, the following rules apply to the use of the IBR bit, RHB, and Gap_Count in PHY register 1:

- Following the transmission of a PHY-config packet, a bus reset must be initiated in order to verify that all nodes have correctly updated their RHBs and Gap_Count values and to ensure that a subsequent new connection to the bus causes the Gap_Count to be set to 63 on all nodes in the bus. If this bus reset is initiated by setting the IBR bit to 1, then the RHB and Gap_Count field must also be loaded with the correct values consistent with the just transmitted PHY-config packet. In the PCI7x21/PCI7x11 controller, the RHB and Gap_Count are updated to their correct values upon the transmission of the PHY-config packet, so these values may first be read from register 1 and then rewritten.
- Other than to initiate the bus reset, which must follow the transmission of a PHY-config packet, whenever the IBR bit is set to 1 in order to initiate a bus reset, the Gap_Count value must also be set to 63 so as to be consistent with other nodes on the bus, and the RHB must be maintained with its current value.
- The PHY register 1 must not be written to except to set the IBR bit. The RHB and Gap_Count must not be written without also setting the IBR bit to 1.

4 PC Card Controller Programming Model

This chapter describes the PCI7x21/PCI7x11 PCI configuration registers that make up the 256-byte PCI configuration header for each PCI7x21/PCI7x11 function. There are some bits which affect both CardBus functions, but which, in order to work properly, must be accessed only through function 0. These are called global bits. Registers containing one or more global bits are denoted by § in Table 4–2.

Any bit followed by a † is not cleared by the assertion of \overline{PRST} (see *CardBus Bridge Power Management*, Section 3.8.10, for more details) if \overline{PME} is enabled (PCI offset A4h, bit 8). In this case, these bits are cleared only by \overline{GRST} . If \overline{PME} is not enabled, then these bits are cleared by \overline{GRST} or \overline{PRST} . These bits are sometimes referred to as PME context bits and are implemented to allow \overline{PME} context to be preserved during the transition from D3_{hot} or D3_{cold} to D0.

If a bit is followed by a ‡, then this bit is cleared only by \overline{GRST} in all cases (not conditional on \overline{PME} being enabled). These bits are intended to maintain device context such as interrupt routing and MFUNC programming during warm resets.

A bit description table, typically included when the register contains bits of more than one type or purpose, indicates bit field names, a detailed field description, and field access tags which appear in the *type* column. Table 4–1 describes the field access tags.

Table 4–1. Bit Field Access Tag Descriptions

ACCESS TAG	NAME	MEANING
R	Read	Field can be read by software.
W	Write	Field can be written by software to any value.
S	Set	Field can be set by a write of 1. Writes of 0 have no effect.
C	Clear	Field can be cleared by a write of 1. Writes of 0 have no effect.
U	Update	Field can be autonomously updated by the PCI7x21/PCI7x11 controller.

4.1 PCI Configuration Register Map (Functions 0 and 1)

The PCI7x21/PCI7x11 is a multifunction PCI device, and the PC Card controller is integrated as PCI functions 0 and 1. The configuration header, compliant with the *PCI Local Bus Specification* as a CardBus bridge header, is *PC99/PC2001* compliant as well. Table 4–2 illustrates the PCI configuration register map, which includes both the predefined portion of the configuration space and the user-definable registers.

Table 4–2. Functions 0 and 1 PCI Configuration Register Map

REGISTER NAME				OFFSET
Device ID		Vendor ID		00h
Status ‡		Command		04h
Class code			Revision ID	08h
BIST	Header type	Latency timer	Cache line size	0Ch
CardBus socket registers/ExCA base address register				10h
Secondary status ‡		Reserved	Capability pointer	14h
CardBus latency timer	Subordinate bus number	CardBus bus number	PCI bus number	18h
CardBus memory base register 0				1Ch
CardBus memory limit register 0				20h
CardBus memory base register 1				24h
CardBus memory limit register 1				28h

‡ One or more bits in this register are cleared only by the assertion of \overline{GRST} .

Table 4–2. Functions 0 and 1 PCI Configuration Register Map (Continued)

REGISTER NAME				OFFSET
CardBus I/O base register 0				2Ch
CardBus I/O limit register 0				30h
CardBus I/O base register 1				34h
CardBus I/O limit register 1				38h
Bridge control †		Interrupt pin	Interrupt line	3Ch
Subsystem ID ‡		Subsystem vendor ID ‡		40h
PC Card 16-bit I/F legacy-mode base-address ‡				44h
Reserved				48h–7Ch
System control †‡§				80h
General control ‡§		Reserved	MC_CD debounce ‡	84h
General-purpose output ‡	General-purpose input	General-purpose event enable ‡	General-purpose event status ‡	88h
Multifunction routing status ‡				8Ch
Diagnostic ‡§	Device control ‡§	Card control ‡§	Retry status ‡§	90h
Reserved				94h–9Ch
Power management capabilities ‡		Next item pointer	Capability ID	A0h
Power management data (Reserved)	Power management control/status bridge support extensions	Power management control/status †‡		A4h
Reserved				A8h–ACh
Serial bus control/status ‡	Serial bus slave address ‡	Serial bus index ‡	Serial bus data ‡	B0h
Reserved				B4h–FCh

† One or more bits in this register are PME context bits and can be cleared only by the assertion of \overline{GRST} when \overline{PME} is enabled. If \overline{PME} is not enabled, then this bit is cleared by the assertion of \overline{PRST} or \overline{GRST} .

‡ One or more bits in this register are cleared only by the assertion of \overline{GRST} .

§ One or more bits in this register are global in nature and must be accessed only through function 0.

4.2 Vendor ID Register

The vendor ID register contains a value allocated by the PCI SIG that identifies the manufacturer of the PCI device. The vendor ID assigned to Texas Instruments is 104Ch.

Bit	15	14	13	12	11	10	9	8	7	6	5	4	3	2	1	0
Name	Vendor ID															
Type	R	R	R	R	R	R	R	R	R	R	R	R	R	R	R	R
Default	0	0	0	1	0	0	0	0	0	1	0	0	1	1	0	0

Register: **Vendor ID**
 Offset: 00h (Functions 0, 1)
 Type: Read-only
 Default: 104Ch

4.3 Device ID Register Functions 0 and 1

This read-only register contains the device ID assigned by TI to the PCI7x21/PCI7x11 CardBus controller functions (PCI functions 0 and 1).

Bit	15	14	13	12	11	10	9	8	7	6	5	4	3	2	1	0
Name	Device ID—Smart Card enabled															
Type	R	R	R	R	R	R	R	R	R	R	R	R	R	R	R	R
Default	1	0	0	0	0	0	0	0	0	0	1	1	0	0	0	1

Register: **Device ID**
Offset: 02h (Functions 0 and 1)
Type: Read-only
Default: 8031h

4.4 Command Register

The PCI command register provides control over the PCI7x21/PCI7x11 interface to the PCI bus. All bit functions adhere to the definitions in the *PCI Local Bus Specification* (see Table 4–3). None of the bit functions in this register are shared among the PCI7x21/PCI7x11 PCI functions. Three command registers exist in the PCI7x21/PCI7x11 controller, one for each function. Software manipulates the PCI7x21/PCI7x11 functions as separate entities when enabling functionality through the command register. The SERR_EN and PERR_EN enable bits in this register are internally wired OR between the three functions, and these control bits appear to software to be separate for each function.

Bit	15	14	13	12	11	10	9	8	7	6	5	4	3	2	1	0
Name	Command															
Type	R	R	R	R	R	RW	R	RW	R	RW	RW	R	R	RW	RW	RW
Default	0	0	0	0	0	0	0	0	0	0	0	0	0	0	0	0

Register: **Command**
 Offset: 04h
 Type: Read-only, Read/Write
 Default: 0000h

Table 4–3. Command Register Description

BIT	SIGNAL	TYPE	FUNCTION
15–11	RSVD	R	Reserved. Bits 15–11 return 0s when read.
10	INT_DISABLE	RW	<u>INTx disable</u> . When set to 1, this bit disables the function from asserting interrupts on the <u>INTx</u> signals. 0 = <u>INTx</u> assertion is enabled (default) 1 = <u>INTx</u> assertion is disabled
9	FBB_EN	R	Fast back-to-back enable. The PCI7x21/PCI7x11 controller does not generate fast back-to-back transactions; therefore, this bit is read-only. This bit returns a 0 when read.
8	SERR_EN	RW	System error (<u>SERR</u>) enable. This bit controls the enable for the <u>SERR</u> driver on the PCI interface. <u>SERR</u> can be asserted after detecting an address parity error on the PCI bus. Both this bit and bit 6 must be set for the PCI7x21/PCI7x11 controller to report address parity errors. 0 = Disables the <u>SERR</u> output driver (default) 1 = Enables the <u>SERR</u> output driver
7	RSVD	R	Reserved. Bit 7 returns 0 when read.
6	PERR_EN	RW	<u>Parity error response enable</u> . This bit controls the PCI7x21/PCI7x11 response to parity errors through the <u>PERR</u> signal. <u>Data</u> parity errors are indicated by asserting <u>PERR</u> , while address parity errors are indicated by asserting <u>SERR</u> . 0 = PCI7x21/PCI7x11 controller ignores detected parity errors (default). 1 = PCI7x21/PCI7x11 controller responds to detected parity errors.
5	VGA_EN	RW	VGA palette snoop. When set to 1, palette snooping is enabled (i.e., the PCI7x21/PCI7x11 controller does not respond to palette register writes and snoops the data). When the bit is 0, the PCI7x21/PCI7x11 controller treats all palette accesses like all other accesses.
4	MWI_EN	R	Memory write-and-invalidate enable. This bit controls whether a PCI initiator device can generate memory write-and-invalidate commands. The PCI7x21/PCI7x11 controller does not support memory write-and-invalidate commands, it uses memory write commands instead; therefore, this bit is hardwired to 0. This bit returns 0 when read. Writes to this bit have no effect.
3	SPECIAL	R	Special cycles. This bit controls whether or not a PCI device ignores PCI special cycles. The PCI7x21/PCI7x11 controller does not respond to special cycle operations; therefore, this bit is hardwired to 0. This bit returns 0 when read. Writes to this bit have no effect.
2	MAST_EN	RW	Bus master control. This bit controls whether or not the PCI7x21/PCI7x11 controller can act as a PCI bus initiator (master). The PCI7x21/PCI7x11 controller can take control of the PCI bus only when this bit is set. 0 = Disables the PCI7x21/PCI7x11 ability to generate PCI bus accesses (default) 1 = Enables the PCI7x21/PCI7x11 ability to generate PCI bus accesses

Table 4–3. Command Register Description (continued)

BIT	SIGNAL	TYPE	FUNCTION
1	MEM_EN	RW	Memory space enable. This bit controls whether or not the PCI7x21/PCI7x11 controller can claim cycles in PCI memory space. 0 = Disables the PCI7x21/PCI7x11 response to memory space accesses (default) 1 = Enables the PCI7x21/PCI7x11 response to memory space accesses
0	IO_EN	RW	I/O space control. This bit controls whether or not the PCI7x21/PCI7x11 controller can claim cycles in PCI I/O space. 0 = Disables the PCI7x21/PCI7x11 controller from responding to I/O space accesses (default) 1 = Enables the PCI7x21/PCI7x11 controller to respond to I/O space accesses

4.5 Status Register

The status register provides device information to the host system. Bits in this register can be read normally. A bit in the status register is reset when a 1 is written to that bit location; a 0 written to a bit location has no effect. All bit functions adhere to the definitions in the *PCI Bus Specification*, as seen in the bit descriptions. PCI bus status is shown through each function. See Table 4–4 for a complete description of the register contents.

Bit	15	14	13	12	11	10	9	8	7	6	5	4	3	2	1	0
Name	Status															
Type	RW	RW	RW	RW	RW	R	R	RW	R	R	R	R	RU	R	R	R
Default	0	0	0	0	0	0	1	0	0	0	0	1	0	0	0	0

Register: **Status**
 Offset: 06h (Functions 0, 1)
 Type: Read-only, Read/Write
 Default: 0210h

Table 4–4. Status Register Description

BIT	SIGNAL	TYPE	FUNCTION
15 ‡	PAR_ERR	RW	Detected parity error. This bit is set when a parity error is detected, either an address or data parity error. Write a 1 to clear this bit.
14 ‡	SYS_ERR	RW	Signaled system error. This bit is set when \overline{SERR} is enabled and the PCI7x21/PCI7x11 controller signaled a system error to the host. Write a 1 to clear this bit.
13 ‡	MABORT	RW	Received master abort. This bit is set when a cycle initiated by the PCI7x21/PCI7x11 controller on the PCI bus has been terminated by a master abort. Write a 1 to clear this bit.
12 ‡	TABT_REC	RW	Received target abort. This bit is set when a cycle initiated by the PCI7x21/PCI7x11 controller on the PCI bus was terminated by a target abort. Write a 1 to clear this bit.
11 ‡	TABT_SIG	RW	Signaled target abort. This bit is set by the PCI7x21/PCI7x11 controller when it terminates a transaction on the PCI bus with a target abort. Write a 1 to clear this bit.
10–9	PCI_SPEED	R	DEVSEL timing. These bits encode the timing of \overline{DEVSEL} and are hardwired to 01b indicating that the PCI7x21/PCI7x11 controller asserts this signal at a medium speed on nonconfiguration cycle accesses.
8 ‡	DATAPAR	RW	Data parity error detected. Write a 1 to clear this bit. 0 = The conditions for setting this bit have not been met. 1 = A data parity error occurred and the following conditions were met: a. \overline{PERR} was asserted by any PCI device including the PCI7x21/PCI7x11 controller. b. The PCI7x21/PCI7x11 controller was the bus master during the data parity error. c. The parity error response bit is set in the command register.
7	FBB_CAP	R	Fast back-to-back capable. The PCI7x21/PCI7x11 controller cannot accept fast back-to-back transactions; thus, this bit is hardwired to 0.
6	UDF	R	UDF supported. The PCI7x21/PCI7x11 controller does not support user-definable features; therefore, this bit is hardwired to 0.
5	66MHZ	R	66-MHz capable. The PCI7x21/PCI7x11 controller operates at a maximum PCLK frequency of 33 MHz; therefore, this bit is hardwired to 0.

‡ This bit is cleared only by the assertion of \overline{GRST} .

Table 4–4. Status Register Description (continued)

BIT	SIGNAL	TYPE	FUNCTION
4	CAPLIST	R	Capabilities list. This bit returns 1 when read. This bit indicates that capabilities in addition to standard PCI capabilities are implemented. The linked list of PCI power-management capabilities is implemented in this function.
3	INT_STATUS	RU	Interrupt status. This bit reflects the interrupt status of the function. Only when bit 10 (INT_DISABLE) in the command register (PCI offset 04h, see Section 4.4) is a 0 and this bit is a 1, is the function's INTx signal asserted. Setting the INT_DISABLE bit to a 1 has no effect on the state of this bit.
2–0	RSVD	R	Reserved. These bits return 0s when read.

4.6 Revision ID Register

The revision ID register indicates the silicon revision of the PCI7x21/PCI7x11 controller.

Bit	7	6	5	4	3	2	1	0
Name	Revision ID							
Type	R	R	R	R	R	R	R	R
Default	0	0	0	0	0	0	0	0

Register: **Revision ID**
 Offset: 08h (functions 0, 1)
 Type: Read-only
 Default: 00h

4.7 Class Code Register

The class code register recognizes PCI7x21/PCI7x11 functions 0 and 1 as a bridge device (06h) and a CardBus bridge device (07h), with a 00h programming interface.

Bit	23	22	21	20	19	18	17	16	15	14	13	12	11	10	9	8	7	6	5	4	3	2	1	0		
Name	PCI class code																									
	Base class								Subclass								Programming interface									
Type	R	R	R	R	R	R	R	R	R	R	R	R	R	R	R	R	R	R	R	R	R	R	R	R	R	R
Default	0	0	0	0	0	1	1	0	0	0	0	0	0	1	1	1	0	0	0	0	0	0	0	0	0	

Register: **PCI class code**
 Offset: 09h (functions 0, 1)
 Type: Read-only
 Default: 06 0700h

4.8 Cache Line Size Register

The cache line size register is programmed by host software to indicate the system cache line size.

Bit	7	6	5	4	3	2	1	0
Name	Cache line size							
Type	RW	RW	RW	RW	RW	RW	RW	RW
Default	0	0	0	0	0	0	0	0

Register: **Cache line size**
 Offset: 0Ch (Functions 0, 1)
 Type: Read/Write
 Default: 00h

4.9 Latency Timer Register

The latency timer register specifies the latency timer for the PCI7x21/PCI7x11 controller, in units of PCI clock cycles. When the PCI7x21/PCI7x11 controller is a PCI bus initiator and asserts $\overline{\text{FRAME}}$, the latency timer begins counting from zero. If the latency timer expires before the PCI7x21/PCI7x11 transaction has terminated, then the PCI7x21/PCI7x11 controller terminates the transaction when its $\overline{\text{GNT}}$ is deasserted.

Bit	7	6	5	4	3	2	1	0
Name	Latency timer							
Type	RW	RW	RW	RW	RW	RW	RW	RW
Default	0	0	0	0	0	0	0	0

Register: **Latency timer**
 Offset: 0Dh
 Type: Read/Write
 Default: 00h

4.10 Header Type Register

The header type register returns 82h when read, indicating that the PCI7x21/PCI7x11 functions 0 and 1 configuration spaces adhere to the CardBus bridge PCI header. The CardBus bridge PCI header ranges from PCI registers 00h–7Fh, and 80h–FFh is user-definable extension registers.

Bit	7	6	5	4	3	2	1	0
Name	Header type							
Type	R	R	R	R	R	R	R	R
Default	1	0	0	0	0	0	1	0

Register: **Header type**
 Offset: 0Eh (Functions 0, 1)
 Type: Read-only
 Default: 82h

4.11 BIST Register

Because the PCI7x21/PCI7x11 controller does not support a built-in self-test (BIST), this register returns the value of 00h when read.

Bit	7	6	5	4	3	2	1	0
Name	BIST							
Type	R	R	R	R	R	R	R	R
Default	0	0	0	0	0	0	0	0

Register: **BIST**
 Offset: 0Fh (Functions 0, 1)
 Type: Read-only
 Default: 00h

4.12 CardBus Socket Registers/ExCA Base Address Register

This register is programmed with a base address referencing the CardBus socket registers and the memory-mapped ExCA register set. Bits 31–12 are read/write, and allow the base address to be located anywhere in the 32-bit PCI memory address space on a 4-Kbyte boundary. Bits 11–0 are read-only, returning 0s when read. When software writes all 1s to this register, the value read back is FFFF F000h, indicating that at least 4K bytes of memory address space are required. The CardBus registers start at offset 000h, and the memory-mapped ExCA registers begin at offset 800h. This register is not shared by functions 0 and 1, so the system maps each socket control register separately.

Bit	31	30	29	28	27	26	25	24	23	22	21	20	19	18	17	16
Name	CardBus socket registers/ExCA base address															
Type	RW	RW	RW	RW	RW	RW	RW	RW	RW	RW	RW	RW	RW	RW	RW	RW
Default	0	0	0	0	0	0	0	0	0	0	0	0	0	0	0	0
Bit	15	14	13	12	11	10	9	8	7	6	5	4	3	2	1	0
Name	CardBus socket registers/ExCA base address															
Type	RW	RW	RW	RW	R	R	R	R	R	R	R	R	R	R	R	R
Default	0	0	0	0	0	0	0	0	0	0	0	0	0	0	0	0

Register: **CardBus socket registers/ExCA base address**
 Offset: 10h
 Type: Read-only, Read/Write
 Default: 0000 0000h

4.13 Capability Pointer Register

The capability pointer register provides a pointer into the PCI configuration header where the PCI power management register block resides. PCI header doublewords at A0h and A4h provide the power management (PM) registers. Each socket has its own capability pointer register. This register is read-only and returns A0h when read.

Bit	7	6	5	4	3	2	1	0
Name	Capability pointer							
Type	R	R	R	R	R	R	R	R
Default	1	0	1	0	0	0	0	0

Register: **Capability pointer**
 Offset: 14h
 Type: Read-only
 Default: A0h

4.14 Secondary Status Register

The secondary status register is compatible with the PCI-PCI bridge secondary status register. It indicates CardBus-related device information to the host system. This register is very similar to the PCI status register (PCI offset 06h, see Section 4.5), and status bits are cleared by a writing a 1. This register is not shared by the two socket functions, but is accessed on a per-socket basis. See Table 4–5 for a complete description of the register contents.

Bit	15	14	13	12	11	10	9	8	7	6	5	4	3	2	1	0
Name	Secondary status															
Type	RC	RC	RC	RC	RC	R	R	RC	R	R	R	R	R	R	R	R
Default	0	0	0	0	0	0	1	0	0	0	0	0	0	0	0	0

Register: **Secondary status**
 Offset: 16h
 Type: Read-only, Read/Clear
 Default: 0200h

Table 4–5. Secondary Status Register Description

BIT	SIGNAL	TYPE	FUNCTION
15 ‡	CBPARITY	RC	Detected parity error. This bit is set when a CardBus parity error is detected, either an address or data parity error. Write a 1 to clear this bit.
14 ‡	CBSERR	RC	Signaled system error. This bit is set when $\overline{\text{CSERR}}$ is signaled by a CardBus card. The PCI7x21/PCI7x11 controller does not assert the $\overline{\text{CSERR}}$ signal. Write a 1 to clear this bit.
13 ‡	CBMABORT	RC	Received master abort. This bit is set when a cycle initiated by the PCI7x21/PCI7x11 controller on the CardBus bus is terminated by a master abort. Write a 1 to clear this bit.
12 ‡	REC_CBTA	RC	Received target abort. This bit is set when a cycle initiated by the PCI7x21/PCI7x11 controller on the CardBus bus is terminated by a target abort. Write a 1 to clear this bit.
11 ‡	SIG_CBTA	RC	Signaled target abort. This bit is set by the PCI7x21/PCI7x11 controller when it terminates a transaction on the CardBus bus with a target abort. Write a 1 to clear this bit.
10–9	CB_SPEED	R	CDEVSEL timing. These bits encode the timing of $\overline{\text{CDEVSEL}}$ and are hardwired to 01b indicating that the PCI7x21/PCI7x11 controller asserts this signal at a medium speed.
8 ‡	CB_DPAR	RC	CardBus data parity error detected. Write a 1 to clear this bit. 0 = The conditions for setting this bit have not been met. 1 = A data parity error occurred and the following conditions were met: a. $\overline{\text{CPERR}}$ was asserted on the CardBus interface. b. The PCI7x21/PCI7x11 controller was the bus master during the data parity error. c. The parity error response enable bit (bit 0) is set in the bridge control register (PCI offset 3Eh, see Section 4.25).
7	CBFBB_CAP	R	Fast back-to-back capable. The PCI7x21/PCI7x11 controller cannot accept fast back-to-back transactions; therefore, this bit is hardwired to 0.
6	CB_UDF	R	User-definable feature support. The PCI7x21/PCI7x11 controller does not support user-definable features; therefore, this bit is hardwired to 0.
5	CB66MHZ	R	66-MHz capable. The PCI7x21/PCI7x11 CardBus interface operates at a maximum CCLK frequency of 33 MHz; therefore, this bit is hardwired to 0.
4–0	RSVD	R	These bits return 0s when read.

‡ This bit is cleared only by the assertion of $\overline{\text{GRST}}$.

4.15 PCI Bus Number Register

The PCI bus number register is programmed by the host system to indicate the bus number of the PCI bus to which the PCI7x21/PCI7x11 controller is connected. The PCI7x21/PCI7x11 controller uses this register in conjunction with the CardBus bus number and subordinate bus number registers to determine when to forward PCI configuration cycles to its secondary buses.

Bit	7	6	5	4	3	2	1	0
Name	PCI bus number							
Type	RW	RW	RW	RW	RW	RW	RW	RW
Default	0	0	0	0	0	0	0	0

Register: **PCI bus number**
 Offset: 18h (Functions 0, 1)
 Type: Read/Write
 Default: 00h

4.16 CardBus Bus Number Register

The CardBus bus number register is programmed by the host system to indicate the bus number of the CardBus bus to which the PCI7x21/PCI7x11 controller is connected. The PCI7x21/PCI7x11 controller uses this register in conjunction with the PCI bus number and subordinate bus number registers to determine when to forward PCI configuration cycles to its secondary buses. This register is separate for each PCI7x21/PCI7x11 controller function.

Bit	7	6	5	4	3	2	1	0
Name	CardBus bus number							
Type	RW	RW	RW	RW	RW	RW	RW	RW
Default	0	0	0	0	0	0	0	0

Register: **CardBus bus number**
 Offset: 19h
 Type: Read/Write
 Default: 00h

4.17 Subordinate Bus Number Register

The subordinate bus number register is programmed by the host system to indicate the highest numbered bus below the CardBus bus. The PCI7x21/PCI7x11 controller uses this register in conjunction with the PCI bus number and CardBus bus number registers to determine when to forward PCI configuration cycles to its secondary buses. This register is separate for each CardBus controller function.

Bit	7	6	5	4	3	2	1	0
Name	Subordinate bus number							
Type	RW	RW	RW	RW	RW	RW	RW	RW
Default	0	0	0	0	0	0	0	0

Register: **Subordinate bus number**
 Offset: 1Ah
 Type: Read/Write
 Default: 00h

4.18 CardBus Latency Timer Register

The CardBus latency timer register is programmed by the host system to specify the latency timer for the PCI7x21/PCI7x11 CardBus interface, in units of CCLK cycles. When the PCI7x21/PCI7x11 controller is a CardBus initiator and asserts \overline{CFRAME} , the CardBus latency timer begins counting. If the latency timer expires before the PCI7x21/PCI7x11 transaction has terminated, then the PCI7x21/PCI7x11 controller terminates the transaction at the end of the next data phase. A recommended minimum value for this register of 20h allows most transactions to be completed.

Bit	7	6	5	4	3	2	1	0
Name	CardBus latency timer							
Type	RW	RW	RW	RW	RW	RW	RW	RW
Default	0	0	0	0	0	0	0	0

Register: **CardBus latency timer**
 Offset: 1Bh (Functions 0, 1)
 Type: Read/Write
 Default: 00h

4.19 CardBus Memory Base Registers 0, 1

These registers indicate the lower address of a PCI memory address range. They are used by the PCI7x21/PCI7x11 controller to determine when to forward a memory transaction to the CardBus bus, and likewise, when to forward a CardBus cycle to PCI. Bits 31–12 of these registers are read/write and allow the memory base to be located anywhere in the 32-bit PCI memory space on 4-Kbyte boundaries. Bits 11–0 are read-only and always return 0s. Writes to these bits have no effect. Bits 8 and 9 of the bridge control register (PCI offset 3Eh, see Section 4.25) specify whether memory windows 0 and 1 are prefetchable or nonprefetchable. The memory base register or the memory limit register must be nonzero in order for the PCI7x21/PCI7x11 controller to claim any memory transactions through CardBus memory windows (i.e., these windows by default are not enabled to pass the first 4 Kbytes of memory to CardBus).

Bit	31	30	29	28	27	26	25	24	23	22	21	20	19	18	17	16
Name	Memory base registers 0, 1															
Type	RW	RW	RW	RW	RW	RW	RW	RW	RW	RW	RW	RW	RW	RW	RW	RW
Default	0	0	0	0	0	0	0	0	0	0	0	0	0	0	0	0
Bit	15	14	13	12	11	10	9	8	7	6	5	4	3	2	1	0
Name	Memory base registers 0, 1															
Type	RW	RW	RW	RW	R	R	R	R	R	R	R	R	R	R	R	R
Default	0	0	0	0	0	0	0	0	0	0	0	0	0	0	0	0

Register: **Memory base registers 0, 1**
 Offset: 1Ch, 24h
 Type: Read-only, Read/Write
 Default: 0000 0000h

4.20 CardBus Memory Limit Registers 0, 1

These registers indicate the upper address of a PCI memory address range. They are used by the PCI7x21/PCI7x11 controller to determine when to forward a memory transaction to the CardBus bus, and likewise, when to forward a CardBus cycle to PCI. Bits 31–12 of these registers are read/write and allow the memory base to be located anywhere in the 32-bit PCI memory space on 4-Kbyte boundaries. Bits 11–0 are read-only and always return 0s. Writes to these bits have no effect. Bits 8 and 9 of the bridge control register (PCI offset 3Eh, see Section 4.25) specify whether memory windows 0 and 1 are prefetchable or nonprefetchable. The memory base register or the memory limit register must be nonzero in order for the PCI7x21/PCI7x11 controller to claim any memory transactions through CardBus memory windows (i.e., these windows by default are not enabled to pass the first 4 Kbytes of memory to CardBus).

Bit	31	30	29	28	27	26	25	24	23	22	21	20	19	18	17	16
Name	Memory limit registers 0, 1															
Type	RW	RW	RW	RW	RW	RW	RW	RW	RW	RW	RW	RW	RW	RW	RW	RW
Default	0	0	0	0	0	0	0	0	0	0	0	0	0	0	0	0
Bit	15	14	13	12	11	10	9	8	7	6	5	4	3	2	1	0
Name	Memory limit registers 0, 1															
Type	RW	RW	RW	RW	R	R	R	R	R	R	R	R	R	R	R	R
Default	0	0	0	0	0	0	0	0	0	0	0	0	0	0	0	0

Register: **Memory limit registers 0, 1**
 Offset: 20h, 28h
 Type: Read-only, Read/Write
 Default: 0000 0000h

4.21 CardBus I/O Base Registers 0, 1

These registers indicate the lower address of a PCI I/O address range. They are used by the PCI7x21/PCI7x11 controller to determine when to forward an I/O transaction to the CardBus bus, and likewise, when to forward a CardBus cycle to the PCI bus. The lower 16 bits of this register locate the bottom of the I/O window within a 64-Kbyte page. The upper 16 bits (31–16) are all 0s, which locates this 64-Kbyte page in the first page of the 32-bit PCI I/O address space. Bits 31–2 are read/write and always return 0s forcing I/O windows to be aligned on a natural doubleword boundary in the first 64-Kbyte page of PCI I/O address space. Bits 1–0 are read-only, returning 00 or 01 when read, depending on the value of bit 11 (IO_BASE_SEL) in the general control register (PCI offset 86h, see Section 4.31). These I/O windows are enabled when either the I/O base register or the I/O limit register is nonzero. The I/O windows by default are not enabled to pass the first doubleword of I/O to CardBus.

Either the I/O base register or the I/O limit register must be nonzero to enable any I/O transactions.

Bit	31	30	29	28	27	26	25	24	23	22	21	20	19	18	17	16
Name	I/O base registers 0, 1															
Type	RW	RW	RW	RW	RW	RW	RW	RW	RW	RW	RW	RW	RW	RW	RW	RW
Default	0	0	0	0	0	0	0	0	0	0	0	0	0	0	0	0
Bit	15	14	13	12	11	10	9	8	7	6	5	4	3	2	1	0
Name	I/O base registers 0, 1															
Type	RW	RW	RW	RW	RW	RW	RW	RW	RW	RW	RW	RW	RW	RW	R	R
Default	0	0	0	0	0	0	0	0	0	0	0	0	0	0	0	X

Register: **I/O base registers 0, 1**
 Offset: 2Ch, 34h
 Type: Read-only, Read/Write
 Default: 0000 000Xh

4.22 CardBus I/O Limit Registers 0, 1

These registers indicate the upper address of a PCI I/O address range. They are used by the PCI7x21/PCI7x11 controller to determine when to forward an I/O transaction to the CardBus bus, and likewise, when to forward a CardBus cycle to PCI. The lower 16 bits of this register locate the top of the I/O window within a 64-Kbyte page, and the upper 16 bits are a page register which locates this 64-Kbyte page in 32-bit PCI I/O address space. Bits 15–2 are read/write and allow the I/O limit address to be located anywhere in the 64-Kbyte page (indicated by bits 31–16 of the appropriate I/O base register) on doubleword boundaries.

Bits 31–16 are read-only and always return 0s when read. The page is set in the I/O base register. Bits 15–2 are read/write and bits 1–0 are read-only, returning 00 or 01 when read, depending on the value of bit 12 (IO_LIMIT_SEL) in the general control register (PCI offset 86h, see Section 4.31). Writes to read-only bits have no effect.

These I/O windows are enabled when either the I/O base register or the I/O limit register is nonzero. By default, the I/O windows are not enabled to pass the first doubleword of I/O to CardBus.

Either the I/O base register or the I/O limit register must be nonzero to enable any I/O transactions.

Bit	31	30	29	28	27	26	25	24	23	22	21	20	19	18	17	16
Name	I/O limit registers 0, 1															
Type	R	R	R	R	R	R	R	R	R	R	R	R	R	R	R	R
Default	0	0	0	0	0	0	0	0	0	0	0	0	0	0	0	0
Bit	15	14	13	12	11	10	9	8	7	6	5	4	3	2	1	0
Name	I/O limit registers 0, 1															
Type	RW	RW	RW	RW	RW	RW	RW	RW	RW	RW	RW	RW	RW	RW	R	R
Default	0	0	0	0	0	0	0	0	0	0	0	0	0	0	0	X

Register: **I/O limit registers 0, 1**
 Offset: 30h, 38h
 Type: Read-only, Read/Write
 Default: 0000 000Xh

4.23 Interrupt Line Register

The interrupt line register is a read/write register used by the host software. As part of the interrupt routing procedure, the host software writes this register with the value of the system IRQ assigned to the function.

Bit	7	6	5	4	3	2	1	0
Name	Interrupt line							
Type	RW	RW	RW	RW	RW	RW	RW	RW
Default	1	1	1	1	1	1	1	1

Register: **Interrupt line**
 Offset: 3Ch
 Type: Read/Write
 Default: FFh

4.24 Interrupt Pin Register

The value read from this register is function dependent. The default value for function 0 is 01h ($\overline{\text{INTA}}$), the default value for function 1 is 02h ($\overline{\text{INTB}}$), the default value for function 2 is 03h ($\overline{\text{INTC}}$), the default value for function 3 is 01h ($\overline{\text{INTA}}$), the default value for function 4 is 01h ($\overline{\text{INTA}}$), the default value for function 5 is 01h ($\overline{\text{INTA}}$). The value also depends on the values of bits 28, the tie-all bit (TIEALL), and 29, the interrupt tie bit (INTRTIE), in the system control register (PCI offset 80h, see Section 4.29). The INTRTIE bit is compatible with previous TI CardBus controllers, and when set to 1, ties $\overline{\text{INTB}}$ to $\overline{\text{INTA}}$ internally. The TIEALL bit ties $\overline{\text{INTA}}$, $\overline{\text{INTB}}$, $\overline{\text{INTC}}$, and $\overline{\text{INTD}}$ together internally. The internal interrupt connections set by INTRTIE and TIEALL are communicated to host software through this standard register interface. This read-only register is described for all PCI7x21/PCI7x11 functions in Table 4–6.

PCI function 0

Bit	7	6	5	4	3	2	1	0
Name	Interrupt pin – PCI function 0							
Type	R	R	R	R	R	R	R	R
Default	0	0	0	0	0	0	0	1

PCI function 1

Bit	7	6	5	4	3	2	1	0
Name	Interrupt pin – PCI function 1							
Type	R	R	R	R	R	R	R	R
Default	0	0	0	0	0	0	1	0

PCI function 2

Bit	7	6	5	4	3	2	1	0
Name	Interrupt pin – PCI function 2							
Type	R	R	R	R	R	R	R	R
Default	0	0	0	0	0	0	1	1

PCI function 3

Bit	7	6	5	4	3	2	1	0
Name	Interrupt pin – PCI function 3							
Type	R	R	R	R	R	R	R	R
Default	0	0	0	0	0	X	X	X

PCI function 4

Bit	7	6	5	4	3	2	1	0
Name	Interrupt pin – PCI function 4							
Type	R	R	R	R	R	R	R	R
Default	0	0	0	0	0	X	X	X

PCI function 5

Bit	7	6	5	4	3	2	1	0
Name	Interrupt pin – PCI function 5							
Type	R	R	R	R	R	R	R	R
Default	0	0	0	0	0	X	X	X

Register: **Interrupt pin**
 Offset: 3Dh
 Type: Read-only
 Default: 01h (function 0), 02h (function 1), 03h (function 2), 04h (function 3), 04h (function 4), 04h (function 5)

Table 4–6. Interrupt Pin Register Cross Reference

INTRTIE BIT (BIT 29, OFFSET 80h)	TIEALL BIT (BIT 28, OFFSET 80h)	INTPIN FUNCTION 0 (CARDBUS)	INTPIN FUNCTION 1 (CARDBUS)	INTPIN FUNCTION 2 (1394 OHCI)	INTPIN FUNCTION 3 (FLASH MEDIA)	INTPIN FUNCTION 4 (SD HOST)	INTPIN FUNCTION 5 (SMART CARD)
0	0	01h ($\overline{\text{INTA}}$)	02h ($\overline{\text{INTB}}$)	03h ($\overline{\text{INTC}}$)	Determined by bits 6–5 (INT_SEL) in the flash media general control register (see Section 11.21)	Determined by bits 6–5 (INT_SEL) in the SD host general control register (see Section 12.22)	Determined by bits 6–5 (INT_SEL) in the Smart Card general control register (see Section 13.22)
1	0	01h ($\overline{\text{INTA}}$)	01h ($\overline{\text{INTA}}$)	03h ($\overline{\text{INTC}}$)			
X	1	01h ($\overline{\text{INTA}}$)	01h ($\overline{\text{INTA}}$)	01h ($\overline{\text{INTA}}$)	01h ($\overline{\text{INTA}}$)	01h ($\overline{\text{INTA}}$)	01h ($\overline{\text{INTA}}$)

4.25 Bridge Control Register

The bridge control register provides control over various PCI7x21/PCI7x11 bridging functions. Some bits in this register are global in nature and must be accessed only through function 0. See Table 4–7 for a complete description of the register contents.

Bit	15	14	13	12	11	10	9	8	7	6	5	4	3	2	1	0
Name	Bridge control															
Type	R	R	R	R	R	RW	RW	RW	RW	RW	RW	R	RW	RW	RW	RW
Default	0	0	0	0	0	0	1	1	0	1	0	0	0	0	0	0

Register: **Bridge control**
 Offset: 3Eh (Function 0, 1)
 Type: Read-only, Read/Write
 Default: 0340h

Table 4–7. Bridge Control Register Description

BIT	SIGNAL	TYPE	FUNCTION
15–11	RSVD	R	These bits return 0s when read.
10	POSTEN	RW	Write posting enable. Enables write posting to and from the CardBus sockets. Write posting enables the posting of write data on burst cycles. Operating with write posting disabled impairs performance on burst cycles. Note that burst write data can be posted, but various write transactions may not. This bit is socket dependent and is not shared between functions 0 and 1.
9	PREFETCH1	RW	Memory window 1 type. This bit specifies whether or not memory window 1 is prefetchable. This bit is socket dependent. This bit is encoded as: 0 = Memory window 1 is nonprefetchable. 1 = Memory window 1 is prefetchable (default).
8	PREFETCH0	RW	Memory window 0 type. This bit specifies whether or not memory window 0 is prefetchable. This bit is socket dependent. This bit is encoded as: 0 = Memory window 0 is nonprefetchable. 1 = Memory window 0 is prefetchable (default).
7	INTR	RW	PCI interrupt – IREQ routing enable. This bit is used to select whether PC Card functional interrupts are routed to PCI interrupts or to the IRQ specified in the ExCA registers. 0 = Functional interrupts are routed to PCI interrupts (default). 1 = Functional interrupts are routed by ExCA registers.

Table 4–7. Bridge Control Register Description (Continued)

BIT	SIGNAL	TYPE	FUNCTION
6 †	CRST	RW	CardBus reset. When this bit is set, the $\overline{\text{CRST}}$ signal is asserted on the CardBus interface. The $\overline{\text{CRST}}$ signal can also be asserted by passing a $\overline{\text{PRST}}$ assertion to CardBus. 0 = $\overline{\text{CRST}}$ is deasserted. 1 = $\overline{\text{CRST}}$ is asserted (default). This bit is not cleared by the assertion of $\overline{\text{PRST}}$. It is only cleared by the assertion of $\overline{\text{GRST}}$.
5	MABTMODE	RW	Master abort mode. This bit controls how the PCI7x21/PCI7x11 controller responds to a master abort when the PCI7x21/PCI7x11 controller is an initiator on the CardBus interface. This bit is common between each socket. 0 = Master aborts not reported (default). 1 = Signal target abort on PCI and signal $\overline{\text{SERR}}$, if enabled.
4	RSVD	R	This bit returns 0 when read.
3	VGAEN	RW	VGA enable. This bit affects how the PCI7x21/PCI7x11 controller responds to VGA addresses. When this bit is set, accesses to VGA addresses are forwarded.
2	ISAEN	RW	ISA mode enable. This bit affects how the PCI7x21/PCI7x11 controller passes I/O cycles within the 64-Kbyte ISA range. This bit is not common between sockets. When this bit is set, the PCI7x21/PCI7x11 controller does not forward the last 768 bytes of each 1K I/O range to CardBus.
1	CSERREN	RW	$\overline{\text{CSERR}}$ enable. This bit controls the response of the PCI7x21/PCI7x11 controller to $\overline{\text{CSERR}}$ signals on the CardBus bus. This bit is separate for each socket. 0 = $\overline{\text{CSERR}}$ is not forwarded to PCI $\overline{\text{SERR}}$ (default) 1 = $\overline{\text{CSERR}}$ is forwarded to PCI $\overline{\text{SERR}}$.
0	CPERREN	RW	CardBus parity error response enable. This bit controls the response of the PCI7x21/PCI7x11 to CardBus parity errors. This bit is separate for each socket. 0 = CardBus parity errors are ignored (default). 1 = CardBus parity errors are reported using $\overline{\text{CPERR}}$.

† One or more bits in this register are PME context bits and can be cleared only by the assertion of $\overline{\text{GRST}}$ when $\overline{\text{PME}}$ is enabled. If $\overline{\text{PME}}$ is not enabled, then this bit is cleared by the assertion of $\overline{\text{PRST}}$ or $\overline{\text{GRST}}$.

4.26 Subsystem Vendor ID Register

The subsystem vendor ID register, used for system and option card identification purposes, may be required for certain operating systems. This register is read-only or read/write, depending on the setting of bit 5 (SUBSYSRW) in the system control register (PCI offset 80h, See Section 4.29). When bit 5 is 0, this register is read/write; when bit 5 is 1, this register is read-only. The default mode is read-only. All bits in this register are reset by $\overline{\text{GRST}}$ only.

Bit	15	14	13	12	11	10	9	8	7	6	5	4	3	2	1	0
Name	Subsystem vendor ID															
Type	R	R	R	R	R	R	R	R	R	R	R	R	R	R	R	R
Default	0	0	0	0	0	0	0	0	0	0	0	0	0	0	0	0

Register: **Subsystem vendor ID**
 Offset: 40h (Functions 0, 1)
 Type: Read-only, (Read/Write when bit 5 in the system control register is 0)
 Default: 0000h

4.27 Subsystem ID Register

The subsystem ID register, used for system and option card identification purposes, may be required for certain operating systems. This register is read-only or read/write, depending on the setting of bit 5 (SUBSYSRW) in the system control register (PCI offset 80h, see Section 4.29). When bit 5 is 0, this register is read/write; when bit 5 is 1, this register is read-only. The default mode is read-only. All bits in this register are reset by \overline{GRST} only.

If an EEPROM is present, then the subsystem ID and subsystem vendor ID is loaded from the EEPROM after a reset.

Bit	15	14	13	12	11	10	9	8	7	6	5	4	3	2	1	0
Name	Subsystem ID															
Type	R	R	R	R	R	R	R	R	R	R	R	R	R	R	R	R
Default	0	0	0	0	0	0	0	0	0	0	0	0	0	0	0	0

Register: **Subsystem ID**
 Offset: 42h (Functions 0, 1)
 Type: Read-only, (Read/Write when bit 5 in the system control register is 0)
 Default: 0000h

4.28 PC Card 16-Bit I/F Legacy-Mode Base-Address Register

The PCI7x21/PCI7x11 controller supports the index/data scheme of accessing the ExCA registers, which is mapped by this register. An address written to this register is the address for the index register and the address+1 is the data address. Using this access method, applications requiring index/data ExCA access can be supported. The base address can be mapped anywhere in 32-bit I/O space on a word boundary; hence, bit 0 is read-only, returning 1 when read. As specified in the *PCI to PCMCIA CardBus Bridge Register Description* specification, this register is shared by functions 0 and 1. See the ExCA register set description in Section 5 for register offsets. All bits in this register are reset by \overline{GRST} only.

Bit	31	30	29	28	27	26	25	24	23	22	21	20	19	18	17	16
Name	PC Card 16-bit I/F legacy-mode base-address															
Type	RW	RW	RW	RW	RW	RW	RW	RW	RW	RW	RW	RW	RW	RW	RW	RW
Default	0	0	0	0	0	0	0	0	0	0	0	0	0	0	0	0
Bit	15	14	13	12	11	10	9	8	7	6	5	4	3	2	1	0
Name	PC Card 16-bit I/F legacy-mode base-address															
Type	RW	RW	RW	RW	RW	RW	RW	RW	RW	RW	RW	RW	RW	RW	RW	R
Default	0	0	0	0	0	0	0	0	0	0	0	0	0	0	0	1

Register: **PC Card 16-bit I/F legacy-mode base-address**
 Offset: 44h (Functions 0, 1)
 Type: Read-only, Read/Write
 Default: 0000 0001h

4.29 System Control Register

System-level initializations are performed through programming this doubleword register. Some of the bits are global in nature and must be accessed only through function 0. See Table 4–8 for a complete description of the register contents.

Bit	31	30	29	28	27	26	25	24	23	22	21	20	19	18	17	16
Name	System control															
Type	RW	RW	RW	RW	RW	RW	RW	RW	R	RW	RW	RW	R	R	R	R
Default	0	0	0	0	1	0	0	0	0	1	0	0	0	1	0	0
Bit	15	14	13	12	11	10	9	8	7	6	5	4	3	2	1	0
Name	System control															
Type	RW	RW	R	R	R	R	R	R	R	RW	RW	RW	RW	R	RW	RW
Default	1	0	0	1	0	0	0	0	0	1	1	0	0	0	0	0

Register: **System control**
 Offset: 80h (Functions 0, 1)
 Type: Read-only, Read/Write
 Default: 0844 9060h

Table 4–8. System Control Register Description

BIT	SIGNAL	TYPE	FUNCTION
31–30 ‡§	SER_STEP	RW	Serial input stepping. In serial PCI interrupt mode, these bits are used to configure the serial stream PCI interrupt frames, and can be used to accomplish an even distribution of interrupts signaled on the four PCI interrupt slots. 00 = $\overline{\text{INTA}}/\overline{\text{INTB}}/\overline{\text{INTC}}/\overline{\text{INTD}}$ signal in $\overline{\text{INTA}}/\overline{\text{INTB}}/\overline{\text{INTC}}/\overline{\text{INTD}}$ slots (default) 01 = $\overline{\text{INTA}}/\overline{\text{INTB}}/\overline{\text{INTC}}/\overline{\text{INTD}}$ signal in $\overline{\text{INTB}}/\overline{\text{INTC}}/\overline{\text{INTD}}/\overline{\text{INTA}}$ slots 10 = $\overline{\text{INTA}}/\overline{\text{INTB}}/\overline{\text{INTC}}/\overline{\text{INTD}}$ signal in $\overline{\text{INTC}}/\overline{\text{INTD}}/\overline{\text{INTA}}/\overline{\text{INTB}}$ slots 11 = $\overline{\text{INTA}}/\overline{\text{INTB}}/\overline{\text{INTC}}/\overline{\text{INTD}}$ signal in $\overline{\text{INTD}}/\overline{\text{INTA}}/\overline{\text{INTB}}/\overline{\text{INTC}}$ slots
29 ‡§	INTRTIE	RW	This bit ties $\overline{\text{INTA}}$ to $\overline{\text{INTB}}$ internally (to $\overline{\text{INTA}}$), and reports this through the interrupt pin register (PCI offset 3Dh, see Section 4.24). This bit has no effect on $\overline{\text{INTC}}$ or $\overline{\text{INTD}}$.
28 ‡	TIEALL	RW	This bit ties $\overline{\text{INTA}}$, $\overline{\text{INTB}}$, $\overline{\text{INTC}}$, and $\overline{\text{INTD}}$ internally (to $\overline{\text{INTA}}$), and reports this through the interrupt pin register (PCI offset 3Dh, see Section 4.24).
27 ‡	PSCCLK	RW	P2C power switch clock. The PCI7x21/PCI7x11 CLOCK signal clocks the serial interface power switch and the internal state machine. The default state for this bit is 0, requiring an external clock source provided to the CLOCK terminal. Bit 27 can be set to 1, allowing the internal oscillator to provide the clock signal. 0 = CLOCK is provided externally, input to the PCI7x21/PCI7x11 controller. 1 = CLOCK is generated by the internal oscillator and driven by the PCI7x21/PCI7x11 controller. (default)
26 ‡§	SMIRROUTE	RW	SMI interrupt routing. This bit is shared between functions 0 and 1, and selects whether IRQ2 or CSC is signaled when a write occurs to power a PC Card socket. 0 = PC Card power change interrupts are routed to IRQ2 (default). 1 = A CSC interrupt is generated on PC Card power changes.
25 ‡	SMISTATUS	RW	SMI interrupt status. This socket-dependent bit is set when a write occurs to set the socket power, and the SMIENB bit is set. Writing a 1 to this bit clears the status. 0 = SMI interrupt is signaled. 1 = SMI interrupt is not signaled.
24 ‡§	SMIENB	RW	SMI interrupt mode enable. When this bit is set, the SMI interrupt signaling generates an interrupt when a write to the socket power control occurs. This bit is shared and defaults to 0 (disabled). 0 = SMI interrupt mode is disabled (default). 1 = SMI interrupt mode is enabled.
23	RSVD	R	Reserved

‡ These bits are cleared only by the assertion of $\overline{\text{GRST}}$.

§ These bits are global in nature and must be accessed only through function 0.

Table 4–8. System Control Register Description (continued)

BIT	SIGNAL	TYPE	FUNCTION
22 ‡	CBRSVD	RW	CardBus reserved terminals signaling. When this bit is set, the RSVD CardBus terminals are driven low when a CardBus card has been inserted. When this bit is low, these signals are placed in a high-impedance state. 0 = Place the CardBus RSVD terminals in a high-impedance state. 1 = Drive the CardBus RSVD terminals low (default).
21 ‡	VCCPROT	RW	V _{CC} protection enable. This bit is socket dependent. 0 = V _{CC} protection is enabled for 16-bit cards (default). 1 = V _{CC} protection is disabled for 16-bit cards.
20–16 ‡	RSVD	RW	These bits are reserved. Do not change the value of these bits.
15 ‡§	MRBURSTDN	RW	Memory read burst enable downstream. When this bit is set, the PCI7x21/PCI7x11 controller allows memory read transactions to burst downstream. 0 = MRBURSTDN downstream is disabled. 1 = MRBURSTDN downstream is enabled (default).
14 ‡§	MRBURSTUP	RW	Memory read burst enable upstream. When this bit is set, the PCI7x21/PCI7x11 controller allows memory read transactions to burst upstream. 0 = MRBURSTUP upstream is disabled (default). 1 = MRBURSTUP upstream is enabled.
13 ‡	SOCACTIVE	R	Socket activity status. When set, this bit indicates access has been performed to or from a PC Card. Reading this bit causes it to be cleared. This bit is socket dependent. 0 = No socket activity (default) 1 = Socket activity
12	RSVD	R	Reserved. This bit returns 1 when read.
11 ‡	PWRSTREAM	R	Power-stream-in-progress status bit. When set, this bit indicates that a power stream to the power switch is in progress and a powering change has been requested. When this bit is cleared, it indicates that the power stream is complete. 0 = Power stream is complete, delay has expired (default). 1 = Power stream is in progress.
10 †	DELAYUP	R	Power-up delay-in-progress status bit. When set, this bit indicates that a power-up stream has been sent to the power switch, and proper power may not yet be stable. This bit is cleared when the power-up delay has expired. 0 = Power-up delay has expired (default). 1 = Power-up stream sent to switch. Power might not be stable.
9 †	DELAYDOWN	R	Power-down delay-in-progress status bit. When set, this bit indicates that a power-down stream has been sent to the power switch, and proper power may not yet be stable. This bit is cleared when the power-down delay has expired. 0 = Power-down delay has expired (default). 1 = Power-down stream sent to switch. Power might not be stable.
8 †	INTERROGATE	R	Interrogation in progress. When set, this bit indicates an interrogation is in progress, and clears when the interrogation completes. This bit is socket-dependent. 0 = Interrogation not in progress (default) 1 = Interrogation in progress
7	RSVD	R	Reserved. This bit returns 0 when read.
6 ‡§	PWRSAVINGS	RW	Power savings mode enable. When this bit is set, the PCI7x21/PCI7x11 controller consumes less power with no performance loss. This bit is shared between the two PCI7x21/PCI7x11 CardBus functions. 0 = Power savings mode disabled 1 = Power savings mode enabled (default)
5 ‡§	SUBSYSRW	RW	Subsystem ID and subsystem vendor ID, ExCA ID and revision register read/write enable. This bit also controls read/write for the function 3 subsystem ID register. 0 = Registers are read/write. 1 = Registers are read-only (default).

† One or more bits in this register are PME context bits and can be cleared only by the assertion of \overline{GRST} when \overline{PME} is enabled. If \overline{PME} is not enabled, then this bit is cleared by the assertion of \overline{PRST} or \overline{GRST} .

‡ These bits are cleared only by the assertion of \overline{GRST} .

§ These bits are global in nature and must be accessed only through function 0.

Table 4–8. System Control Register Description (continued)

BIT	SIGNAL	TYPE	FUNCTION
4 ‡§	CB_DPAR	RW	CardBus data parity SERR signaling enable. 0 = CardBus data parity not signaled on $\overline{\text{PCI_SERR}}$ signal (default) 1 = CardBus data parity signaled on PCI SERR signal
3 ‡§	RSVD	R	Reserved. This bit returns 0 when read.
2 ‡	EXCAPOWER	R	ExCA power control bit. 0 = Enables 3.3 V (default) 1 = Enables 5 V
1 ‡§	KEEPCLK	RW	Keep clock. When this bit is set, the PCI7x21/PCI7x11 controller follows the $\overline{\text{CLKRUN}}$ protocol to maintain the system PCLK and the CCLK (CardBus clock). This bit is global to the PCI7x21/PCI7x11 functions. 0 = Allow system PCLK and CCLK clocks to stop (default) 1 = Never allow system PCLK or CCLK clock to stop Note that the functionality of this bit has changed relative to that of the PCI12XX family of TI CardBus controllers. In these CardBus controllers, setting this bit only maintains the PCI clock, not the CCLK. In the PCI7x21/PCI7x11 controller, setting this bit maintains both the PCI clock and the CCLK.
0 ‡§	RIMUX	RW	$\overline{\text{PME/RI_OUT}}$ select bit. When this bit is 1, the PME signal is routed to the $\overline{\text{PME/RI_OUT}}$ terminal (R03). When this bit is 0 and bit 7 (RIENB) of the card control register is 1, the $\overline{\text{RI_OUT}}$ signal is routed to the $\overline{\text{PME/RI_OUT}}$ terminal. If this bit is 0 and bit 7 (RIENB) of the card control register is 0, then the output is placed in a high-impedance state. This terminal is encoded as: 0 = $\overline{\text{RI_OUT}}$ signal is routed to the $\overline{\text{PME/RI_OUT}}$ terminal if bit 7 of the card control register is 1. (default) 1 = $\overline{\text{PME}}$ signal is routed to the $\overline{\text{PME/RI_OUT}}$ terminal of the PCI7x21/PCI7x11 controller. NOTE: If this bit (bit 0) is 0 and bit 7 of the card control register (PCI offset 91h, see Section 4.38) is 0, then the output on the $\overline{\text{PME/RI_OUT}}$ terminal is placed in a high-impedance state.

‡ This bit is cleared only by the assertion of $\overline{\text{GRST}}$.

§ These bits are global in nature and must be accessed only through function 0.

4.30 MC_CD Debounce Register

This register provides debounce time in units of 2 ms for the $\overline{\text{MC_CD}}$ signal on UltraMedia cards. This register defaults to 19h, which gives a default debounce time of 50 ms. All bits in this register are reset by $\overline{\text{GRST}}$ only.

Bit	7	6	5	4	3	2	1	0
Name	MC_CD debounce							
Type	RW	RW	RW	RW	RW	RW	RW	RW
Default	0	0	0	1	1	0	0	1

Register: **MC_CD debounce**
 Offset: 84h (Functions 0, 1)
 Type: Read/Write
 Default: 19h

4.31 General Control Register

The general control register provides top level PCI arbitration control. It also provides the ability to disable the 1394 OHCI function and provides control over miscellaneous new functionality. See Table 4–9 for a complete description of the register contents.

Bit	15	14	13	12	11	10	9	8	7	6	5	4	3	2	1	0
Name	General control															
Type	R	R	RW	RW	RW	RW	R	R	R	R	RW	RW	RW	R	RW	RW
Default	0	0	0	0	0	0	0	0	0	0	0	0	0	0	1	1

Register: **General control**
 Offset: 86h
 Type: Read/Write, Read-only
 Default: 0003h

Table 4–9. General Control Register Description

BIT	SIGNAL	TYPE	FUNCTION
15 ‡	FM_PWR_CTRL_POL	RW	Flash media power control pin polarity. This bit controls the polarity of the MC_PWR_CTRL_0 and MC_PWR_CTRL_1 terminals. 0 = MC_PWR_CTRL_x terminals are active low (default) 1 = MC_PWR_CTRL_x terminals are active high
14 ‡	SC_IF_SEL	RWU	Smart Card interface select. This bit controls the selection of the dedicated Smart Card interface used by the controller. 0 = EMV interface selected (default) 1 = PCI7x10-style interface selected Note: The PCI7x10-style interface is only allowed when bits 9–8 (FM_IF_SEL field) are 01. If bits 9–8 contain any other value, then this bit is 0. Care must be taken in the design to ensure that this bit can be set to 1 at the same time that bits 9–8 are set to 01.
13 ‡	SIM_MODE	RW	When this bit is set, it reduces the query time for UltraMedia card types. 0 = Query time is unaffected (default) 1 = Query time is reduced for simulation purposes
12 ‡	IO_LIMIT_SEL	RW	When this bit is set, bit 0 in the I/O limit registers (PCI offsets 30h and 38h) for both CardBus functions is set. 0 = Bit 0 in the I/O limit registers is 0 (default) 1 = Bit 0 in the I/O limit registers is 1
11 ‡	IO_BASE_SEL	RW	When this bit is set, bit 0 in the I/O base registers (PCI offsets 2Ch and 34h) for both CardBus functions is set. 0 = Bit 0 in the I/O base registers is 0 (default) 1 = Bit 0 in the I/O base registers is 1
10 ‡	12V_SW_SEL	RW	Power switch select. This bit selects which power switch is implemented in the system. 0 = A 1.8-V capable power switch (TPS2228) is used (default) 1 = A 12-V capable power switch (TPS2226) is used
9–8 ‡	FM_IF_SEL	RW	Dedicated flash media interface selection. This field controls the mode of the dedicated flash media interface. 00 = Flash media interface configured as SD/MMC socket + MS socket (default) 01 = Flash media interface configured as 2-in-1 (SD/MMC, MS) socket 10 = Flash media interface configured as 3-in-1 (SD/MMC, MS, SM/XD) socket 11 = Reserved
7 ‡	DISABLE_SC	RW	When this bit is set, the Smart Card function is completely nonaccessible and nonfunctional.
6 ‡	DISABLE_SD	RW	When this bit is set, the SD host controller function is completely nonaccessible and nonfunctional.
5 ‡	DISABLE_FM	RW	When this bit is set, the flash media function is completely nonaccessible and nonfunctional.
4 ‡	DISABLE_SKTB	RW	When this bit is set, CardBus socket B (function 1) is completely nonaccessible and nonfunctional.
3 ‡	DISABLE_OHCI	RW	When this bit is set, the OHCI 1394 controller function is completely nonaccessible and nonfunctional.
2 ‡	DED_SC_PWR_CTRL	RW	Dedicated Smart Card power control. This bit determines how power to the dedicated Smart Card socket is controlled. 0 = Controlled through the SC_PWR_CTRL terminal (default) 1 = Controlled through the VPP voltage of socket B of the CardBus power switch (the design must ensure that this mode can only be set when CardBus socket B is disabled).
1–0 ‡	ARB_CTRL	RW	Controls top level PCI arbitration: 00 = 1394 OHCI priority 10 = Flash media/SD host priority 01 = CardBus priority 11 = Fair round robin Note: When flash media/SD host priority is selected, there must be a two-level priority scheme with the first level being a round robin between the flash media and SD host functions and the second level being a round robin between the CardBus and 1394 functions.

‡ These bits are cleared only by the assertion of \overline{GRST} .

4.32 General-Purpose Event Status Register

The general-purpose event status register contains status bits that are set when general events occur, and can be programmed to generate general-purpose event signaling through $\overline{\text{GPE}}$. See Table 4–10 for a complete description of the register contents.

Bit	7	6	5	4	3	2	1	0
Name	General-purpose event status							
Type	RCU	RCU	R	RCU	RCU	RCU	RCU	RCU
Default	0	0	0	0	0	0	0	0

Register: **General-purpose event status**
 Offset: 88h
 Type: Read/Clear/Update, Read-only
 Default: 00h

Table 4–10. General-Purpose Event Status Register Description

BIT	SIGNAL	TYPE	FUNCTION
7 ‡	PWR_STS	RCU	Power change status. This bit is set when software changes the V_{CC} or V_{PP} power state of either socket.
6 ‡	VPP12_STS	RCU	12-V V_{PP} request status. This bit is set when software has changed the requested V_{PP} level to or from 12 V for either socket.
5	RSVD	R	Reserved. This bit returns 0 when read. A write has no effect.
4 ‡	GP4_STS	RCU	GPI4 status. This bit is set on a change in status of the MFUNC5 terminal input level if configured as a general-purpose input, GPI4.
3 ‡	GP3_STS	RCU	GPI3 status. This bit is set on a change in status of the MFUNC4 terminal input level if configured as a general-purpose input, GPI3.
2 ‡	GP2_STS	RCU	GPI2 status. This bit is set on a change in status of the MFUNC2 terminal input level if configured as a general-purpose input, GPI2.
1 ‡	GP1_STS	RCU	GPI1 status. This bit is set on a change in status of the MFUNC1 terminal input level if configured as a general-purpose input, GPI1.
0 ‡	GP0_STS	RCU	GPI0 status. This bit is set on a change in status of the MFUNC0 terminal input level if configured as a general-purpose input, GPI0.

‡ This bit is cleared only by the assertion of $\overline{\text{GRST}}$.

4.33 General-Purpose Event Enable Register

The general-purpose event enable register contains bits that are set to enable \overline{GPE} signals. See Table 4–11 for a complete description of the register contents.

Bit	7	6	5	4	3	2	1	0
Name	General-purpose event enable							
Type	RW	RW	R	RW	RW	RW	RW	RW
Default	0	0	0	0	0	0	0	0

Register: **General-purpose event enable**
 Offset: 89h
 Type: Read-only, Read/Write
 Default: 00h

Table 4–11. General-Purpose Event Enable Register Description

BIT	SIGNAL	TYPE	FUNCTION
7 ‡	PWR_EN	RW	Power change \overline{GPE} enable. When this bit is set, \overline{GPE} is signaled on PWR_STS events.
6 ‡	VPP12_EN	RW	12-V V_{PP} \overline{GPE} enable. When this bit is set, \overline{GPE} is signaled on VPP12_STS events.
5	RSVD	R	Reserved. This bit returns 0 when read. A write has no effect.
4 ‡	GP4_EN	RW	GPI4 \overline{GPE} enable. When this bit is set, \overline{GPE} is signaled on GP4_STS events.
3 ‡	GP3_EN	RW	GPI3 \overline{GPE} enable. When this bit is set, \overline{GPE} is signaled on GP3_STS events.
2 ‡	GP2_EN	RW	GPI2 \overline{GPE} enable. When this bit is set, \overline{GPE} is signaled on GP2_STS events.
1 ‡	GP1_EN	RW	GPI1 \overline{GPE} enable. When this bit is set, \overline{GPE} is signaled on GP1_STS events.
0 ‡	GP0_EN	RW	GPI0 \overline{GPE} enable. When this bit is set, \overline{GPE} is signaled on GP0_STS events.

‡ This bit is cleared only by the assertion of \overline{GRST} .

4.34 General-Purpose Input Register

The general-purpose input register contains the logical value of the data input to the GPI terminals. See Table 4–12 for a complete description of the register contents.

Bit	7	6	5	4	3	2	1	0
Name	General-purpose input							
Type	R	R	R	RU	RU	RU	RU	RU
Default	0	0	0	X	X	X	X	X

Register: **General-purpose input**
 Offset: 8Ah
 Type: Read/Update, Read-only
 Default: XXh

Table 4–12. General-Purpose Input Register Description

BIT	SIGNAL	TYPE	FUNCTION
7–5	RSVD	R	Reserved. These bits return 0s when read. Writes have no effect.
4	GPI4_DATA	RU	GPI4 data input. This bit represents the logical value of the data input from GPI4.
3	GPI3_DATA	RU	GPI3 data input. This bit represents the logical value of the data input from GPI3.
2	GPI2_DATA	RU	GPI2 data input. This bit represents the logical value of the data input from GPI2.
1	GPI1_DATA	RU	GPI1 data input. This bit represents the logical value of the data input from GPI1.
0	GPI0_DATA	RU	GPI0 data input. This bit represents the logical value of the data input from GPI0.

4.35 General-Purpose Output Register

The general-purpose output register is used to drive the GPO4–GPO0 outputs. See Table 4–13 for a complete description of the register contents.

Bit	7	6	5	4	3	2	1	0
Name	General-purpose output							
Type	R	R	R	RW	RW	RW	RW	RW
Default	0	0	0	0	0	0	0	0

Register: **General-purpose output**
 Offset: 8Bh
 Type: Read-only, Read/Write
 Default: 00h

Table 4–13. General-Purpose Output Register Description

BIT	SIGNAL	TYPE	FUNCTION
7–5	RSVD	R	Reserved. These bits return 0s when read. Writes have no effect.
4 ‡	GPO4_DATA	RW	This bit represents the logical value of the data driven to GPO4.
3 ‡	GPO3_DATA	RW	This bit represents the logical value of the data driven to GPO3.
2 ‡	GPO2_DATA	RW	This bit represents the logical value of the data driven to GPO2.
1 ‡	GPO1_DATA	RW	This bit represents the logical value of the data driven to GPO1.
0 ‡	GPO0_DATA	RW	This bit represents the logical value of the data driven to GPO0.

‡ This bit is cleared only by the assertion of $\overline{\text{GRST}}$.

4.36 Multifunction Routing Status Register

The multifunction routing status register is used to configure the MFUNC6–MFUNC0 terminals. These terminals may be configured for various functions. This register is intended to be programmed once at power-on initialization. The default value for this register can also be loaded through a serial EEPROM. See Table 4–14 for a complete description of the register contents.

Bit	31	30	29	28	27	26	25	24	23	22	21	20	19	18	17	16
Name	Multifunction routing status															
Type	R	RW	RW	RW	R	RW	RW	RW	R	RW	RW	RW	R	RW	RW	RW
Default	0	0	0	0	0	0	0	0	0	0	0	0	0	0	0	0
Bit	15	14	13	12	11	10	9	8	7	6	5	4	3	2	1	0
Name	Multifunction routing status															
Type	R	RW	RW	RW	R	RW	RW	RW	R	RW	RW	RW	R	RW	RW	RW
Default	0	0	0	1	0	0	0	0	0	0	0	0	0	0	0	0

Register: **Multifunction routing status**
 Offset: 8Ch
 Type: Read/Write, Read-only
 Default: 0000 1000h

Table 4–14. Multifunction Routing Status Register Description

BITS	SIGNAL	TYPE	FUNCTION
31–28 ‡	RSVD	R	Bits 31–28 return 0s when read.
27–24 ‡	MFUNC6	RW	Multifunction terminal 6 configuration. These bits control the internal signal mapped to the MFUNC6 terminal as follows: 0000 = RSVD 0100 = IRQ4 1000 = IRQ8 1100 = IRQ12 0001 = CLKRUN 0101 = IRQ5 1001 = IRQ9 1101 = IRQ13 0010 = IRQ2 0110 = IRQ6 1010 = IRQ10 1110 = IRQ14 0011 = IRQ3 0111 = IRQ7 1011 = IRQ11 1111 = IRQ15
23–20 ‡	MFUNC5	RW	Multifunction terminal 5 configuration. These bits control the internal signal mapped to the MFUNC5 terminal as follows: 0000 = GPI4 0100 = SC_DBG_RX 1000 = CAUDPWM 1100 = LEDA1 0001 = GPO4 0101 = IRQ5 1001 = IRQ9 1101 = LED_SKT 0010 = PCGNT 0110 = RSVD 1010 = FM_LED 1110 = GPE 0011 = IRQ3 0111 = RSVD 1011 = OHCI_LED 1111 = IRQ15
19–16 ‡	MFUNC4	RW	Multifunction terminal 4 configuration. These bits control the internal signal mapped to the MFUNC4 terminal as follows: 0000 = GPI3 0100 = IRQ4 1000 = CAUDPWM 1100 = RI_OUT 0001 = GPO3 0101 = SC_DBG_TX 1001 = IRQ9 1101 = LED_SKT 0010 = RSVD 0110 = RSVD 1010 = INTD 1110 = GPE 0011 = IRQ3 0111 = RSVD 1011 = FM_LED 1111 = IRQ15
15–12 ‡	MFUNC3	RW	Multifunction terminal 3 configuration. These bits control the internal signal mapped to the MFUNC3 terminal as follows: 0000 = RSVD 0100 = IRQ4 1000 = IRQ8 1100 = IRQ12 0001 = IRQSER 0101 = IRQ5 1001 = IRQ9 1101 = IRQ13 0010 = IRQ2 0110 = IRQ6 1010 = IRQ10 1110 = IRQ14 0011 = IRQ3 0111 = IRQ7 1011 = IRQ11 1111 = IRQ15
11–8 ‡	MFUNC2	RW	Multifunction terminal 2 configuration. These bits control the internal signal mapped to the MFUNC2 terminal as follows: 0000 = GPI2 0100 = IRQ4 1000 = CAUDPWM 1100 = RI_OUT 0001 = GPO2 0101 = IRQ5 1001 = FM_LED 1101 = TEST_MUX 0010 = PCREQ 0110 = RSVD 1010 = IRQ10 1110 = GPE 0011 = IRQ3 0111 = RSVD 1011 = INTC 1111 = IRQ7

‡ These bits are cleared only by the assertion of $\overline{\text{GRST}}$.

Table 4–14. Multifunction Routing Status Register Description (Continued)

BIT	SIGNAL	TYPE	FUNCTION
7–4 ‡	MFUNC1	RW	Multifunction terminal 1 configuration. These bits control the internal signal mapped to the MFUNC1 terminal as follows: 0000 = GPI1 0100 = OHCI_LED 1000 = CAUDPWM 1100 = LEDA1 0001 = GPO1 0101 = IRQ5 1001 = IRQ9 1101 = LEDA2 0010 = INTB 0110 = RSVD 1010 = IRQ10 1110 = GPE 0011 = IRQ3 0111 = RSVD 1011 = IRQ11 1111 = IRQ15
3–0 ‡	MFUNC0	RW	Multifunction terminal 0 configuration. These bits control the internal signal mapped to the MFUNC0 terminal as follows: 0000 = GPIO 0100 = IRQ4 1000 = CAUDPWM 1100 = LEDA1 0001 = GPO0 0101 = IRQ5 1001 = IRQ9 1101 = LEDA2 0010 = INTA 0110 = RSVD 1010 = IRQ10 1110 = GPE 0011 = IRQ3 0111 = RSVD 1011 = IRQ11 1111 = IRQ15

‡ These bits are cleared only by the assertion of $\overline{\text{GRST}}$.

4.37 Retry Status Register

The contents of the retry status register enable the retry time-out counters and display the retry expiration status. The flags are set when the PCI7x21/PCI7x11 controller, as a master, receives a retry and does not retry the request within 2¹⁵ clock cycles. The flags are cleared by writing a 1 to the bit. Access this register only through function 0. See Table 4–15 for a complete description of the register contents.

Bit	7	6	5	4	3	2	1	0
Name	Retry status							
Type	RW	RW	RC	R	RC	R	RC	R
Default	1	1	0	0	0	0	0	0

Register: **Retry status**
 Offset: 90h (Functions 0, 1)
 Type: Read-only, Read/Write, Read/Clear
 Default: C0h

Table 4–15. Retry Status Register Description

BIT	SIGNAL	TYPE	FUNCTION
7 ‡	PCIRETRY	RW	PCI retry time-out counter enable. This bit is encoded as: 0 = PCI retry counter disabled 1 = PCI retry counter enabled (default)
6 ‡§	CBRETRY	RW	CardBus retry time-out counter enable. This bit is encoded as: 0 = CardBus retry counter disabled 1 = CardBus retry counter enabled (default)
5 ‡	TEXP_CBB	RC	CardBus target B retry expired. Write a 1 to clear this bit. 0 = Inactive (default) 1 = Retry has expired.
4	RSVD	R	Reserved. This bit returns 0 when read.
3 ‡§	TEXP_CBA	RC	CardBus target A retry expired. Write a 1 to clear this bit. 0 = Inactive (default) 1 = Retry has expired.
2	RSVD	R	Reserved. This bit returns 0 when read.
1 ‡	TEXP_PCI	RC	PCI target retry expired. Write a 1 to clear this bit. 0 = Inactive (default) 1 = Retry has expired.
0	RSVD	R	Reserved. This bit returns 0 when read.

‡ This bit is cleared only by the assertion of $\overline{\text{GRST}}$.

§ These bits are global in nature and must be accessed only through function 0.

4.38 Card Control Register

The card control register is provided for PCI1130 compatibility. RI_OUT is enabled through this register, and the enable bit is shared between functions 0 and 1. See Table 4–16 for a complete description of the register contents.

The $\overline{\text{RI_OUT}}$ signal is enabled through this register, and the enable bit is shared between functions 0 and 1.

Bit	7	6	5	4	3	2	1	0
Name	Card control							
Type	RW	RW	RW	R	R	RW	RW	RW
Default	0	0	0	0	0	0	0	0

Register: **Card control**
 Offset: 91h
 Type: Read-only, Read/Write
 Default: 00h

Table 4–16. Card Control Register Description

BIT	SIGNAL	TYPE	FUNCTION
7 ‡§	RIENB	RW	Ring indicate enable. When this bit is 1, the $\overline{\text{RI_OUT}}$ output is enabled. This bit defaults to 0.
6–3	RSVD	RW	These bits are reserved. Do not change the value of these bits.
2 ‡	AUD2MUX	RW	CardBus audio-to-MFUNC. When this bit is set, the CAUDIO CardBus signal must be routed through an MFUNC terminal. If this bit is set for both functions, then function 0 is routed. 0 = CAUDIO set to CAUDPWM on MFUNC terminal (default) 1 = CAUDIO is not routed.
1 ‡	SPKROUTEN	RW	When bit 1 is set, the $\overline{\text{SPKR}}$ terminal from the PC Card is enabled and is routed to the SPKROUT terminal. The $\overline{\text{SPKR}}$ signal from socket 0 is XORed with the $\overline{\text{SPKR}}$ signal from socket 1 and sent to SPKROUT. The SPKROUT terminal drives data only when the SPKROUTEN bit of either function is set. This bit is encoded as: 0 = $\overline{\text{SPKR}}$ to SPKROUT not enabled (default) 1 = $\overline{\text{SPKR}}$ to SPKROUT enabled
0 ‡	IFG	RW	Interrupt flag. This bit is the interrupt flag for 16-bit I/O PC Cards and for CardBus cards. This bit is set when a functional interrupt is signaled from a PC Card interface, and is socket dependent (i.e., not global). Write back a 1 to clear this bit. 0 = No PC Card functional interrupt detected (default) 1 = PC Card functional interrupt detected

‡ This bit is cleared only by the assertion of $\overline{\text{GRST}}$.

§ This bit is global in nature and must be accessed only through function 0.

4.39 Device Control Register

The device control register is provided for PCI1130 compatibility. It contains bits that are shared between functions 0 and 1. The interrupt mode select is programmed through this register. The socket-capable force bits are also programmed through this register. See Table 4–17 for a complete description of the register contents.

Bit	7	6	5	4	3	2	1	0
Name	Device control							
Type	RW	RW	RW	R	RW	RW	RW	RW
Default	0	1	1	0	0	1	1	0

Register: **Device control**
 Offset: 92h (Functions 0, 1)
 Type: Read-only, Read/Write
 Default: 66h

Table 4–17. Device Control Register Description

BIT	SIGNAL	TYPE	FUNCTION
7 ‡	SKTPWR_LOCK	RW	Socket power lock bit. When this bit is set to 1, software cannot power down the PC Card socket while in D3. It may be necessary to lock socket power in order to support wake on LAN or RING if the operating system is programmed to power down a socket when the CardBus controller is placed in the D3 state.
6 ‡§	3VCAPABLE	RW	3-V socket capable force bit. 0 = Not 3-V capable 1 = 3-V capable (default)
5 ‡	IO16R2	RW	Diagnostic bit. This bit defaults to 1.
4	RSVD	R	Reserved. This bit returns 0 when read. A write has no effect.
3 ‡§	TEST	RW	TI test bit. Write only 0 to this bit.
2–1 ‡§	INTMODE	RW	Interrupt mode. These bits select the interrupt signaling mode. The interrupt mode bits are encoded: 00 = Parallel PCI interrupts only 01 = Reserved 10 = IRQ serialized interrupts and parallel PCI interrupts $\overline{\text{INTA}}$, $\overline{\text{INTB}}$, $\overline{\text{INTC}}$, and $\overline{\text{INTD}}$ 11 = IRQ and PCI serialized interrupts (default)
0 ‡§	RSVD	RW	Reserved. Bit 0 is reserved for test purposes. Only a 0 must be written to this bit.

‡ This bit is cleared only by the assertion of $\overline{\text{GRST}}$.

§ These bits are global in nature and must be accessed only through function 0.

4.40 Diagnostic Register

The diagnostic register is provided for internal TI test purposes. It is a read/write register, but only 0s must be written to it. See Table 4–18 for a complete description of the register contents.

Bit	7	6	5	4	3	2	1	0
Name	Diagnostic							
Type	RW	R	RW	RW	RW	RW	RW	RW
Default	0	1	1	0	0	0	0	0

Register: **Diagnostic**
 Offset: 93h (functions 0, 1)
 Type: Read/Write
 Default: 60h

Table 4–18. Diagnostic Register Description

BIT	SIGNAL	TYPE	FUNCTION
7 ‡§	TRUE_VAL	RW	This bit defaults to 0. This bit is encoded as: 0 = Reads true values in PCI vendor ID and PCI device ID registers (default) 1 = Returns all 1s to reads from the PCI vendor ID and PCI device ID registers
6 ‡	RSVD	R	Reserved. This bit is read-only and returns 1 when read.
5 ‡	CSC	RW	CSC interrupt routing control 0 = CSC interrupts routed to PCI if ExCA 803 bit 4 = 1 1 = CSC interrupts routed to PCI if ExCA 805 bits 7–4 = 0000b (default). In this case, the setting of ExCA 803 bit 4 is a don't care.
4 ‡§	DIAG4	RW	Diagnostic RETRY_DIS. Delayed transaction disable.
3 ‡§	DIAG3	RW	Diagnostic RETRY_EXT. Extends the latency from 16 to 64.
2 ‡§	DIAG2	RW	Diagnostic DISCARD_TIM_SEL_CB. Set = 2 ¹⁰ , reset = 2 ¹⁵ .
1 ‡§	DIAG1	RW	Diagnostic DISCARD_TIM_SEL_PCI. Set = 2 ¹⁰ , reset = 2 ¹⁵ .
0 ‡	RSVD	RW	These bits are reserved. Do not change the value of these bits.

‡ This bit is cleared only by the assertion of \overline{GRST} .

§ This bit is global and is accessed only through function 0.

4.41 Capability ID Register

The capability ID register identifies the linked list item as the register for PCI power management. The register returns 01h when read, which is the unique ID assigned by the PCI SIG for the PCI location of the capabilities pointer and the value.

Bit	7	6	5	4	3	2	1	0
Name	Capability ID							
Type	R	R	R	R	R	R	R	R
Default	0	0	0	0	0	0	0	1

Register: **Capability ID**
Offset: A0h
Type: Read-only
Default: 01h

4.42 Next Item Pointer Register

The contents of this register indicate the next item in the linked list of the PCI power management capabilities. Because the PCI7x21/PCI7x11 functions only include one capabilities item, this register returns 0s when read.

Bit	7	6	5	4	3	2	1	0
Name	Next item pointer							
Type	R	R	R	R	R	R	R	R
Default	0	0	0	0	0	0	0	0

Register: **Next item pointer**
Offset: A1h
Type: Read-only
Default: 00h

4.43 Power Management Capabilities Register

The power management capabilities register contains information on the capabilities of the PC Card function related to power management. Both PCI7x21/PCI7x11 CardBus bridge functions support D0, D1, D2, and D3 power states. Default register value is FE12h for operation in accordance with *PCI Bus Power Management Interface Specification* revision 1.1. See Table 4–19 for a complete description of the register contents.

Bit	15	14	13	12	11	10	9	8	7	6	5	4	3	2	1	0
Name	Power management capabilities															
Type	RW	R	R	R	R	R	R	R	R	R	R	R	R	R	R	R
Default	1	1	1	1	1	1	1	0	0	0	0	1	0	0	1	0

Register: **Power management capabilities**
 Offset: A2h (Functions 0, 1)
 Type: Read-only, Read/Write
 Default: FE12h

Table 4–19. Power Management Capabilities Register Description

BIT	SIGNAL	TYPE	FUNCTION
15 ‡	PME support	RW	This 5-bit field indicates the power states from which the PCI7x21/PCI7x11 controller functions can assert $\overline{\text{PME}}$. A 0 for any bit indicates that the function cannot assert the $\overline{\text{PME}}$ signal while in that power state. These 5 bits return 11111b when read. Each of these bits is described below: Bit 15 – defaults to a 1 indicating the $\overline{\text{PME}}$ signal can be asserted from the D3 _{cold} state. This bit is read/write because wake-up support from D3 _{cold} is contingent on the system providing an auxiliary power source to the V _{CC} terminals. If the system designer chooses not to provide an auxiliary power source to the V _{CC} terminals for D3 _{cold} wake-up support, then BIOS must write a 0 to this bit.
14–11		R	Bit 14 – contains the value 1 to indicate that the $\overline{\text{PME}}$ signal can be asserted from the D3 _{hot} state. Bit 13 – contains the value 1 to indicate that the $\overline{\text{PME}}$ signal can be asserted from the D2 state. Bit 12 – contains the value 1 to indicate that the $\overline{\text{PME}}$ signal can be asserted from the D1 state. Bit 11 – contains the value 1 to indicate that the $\overline{\text{PME}}$ signal can be asserted from the D0 state.
10		R	This bit returns a 1 when read, indicating that the function supports the D2 device power state.
9		R	This bit returns a 1 when read, indicating that the function supports the D1 device power state.
8–6		R	Reserved. These bits return 000b when read.
5	DSI	R	Device-specific initialization. This bit returns 0 when read.
4	AUX_PWR	R	Auxiliary power source. This bit is meaningful only if bit 15 (D3 _{cold} supporting $\overline{\text{PME}}$) is set. When this bit is set, it indicates that support for $\overline{\text{PME}}$ in D3 _{cold} requires auxiliary power supplied by the system by way of a proprietary delivery vehicle. A 0 (zero) in this bit field indicates that the function supplies its own auxiliary power source. If the function does not support PME while in the D3 _{cold} state (bit 15=0), then this field must always return 0.
3	PMECLK	R	When this bit is 1, it indicates that the function relies on the presence of the PCI clock for $\overline{\text{PME}}$ operation. When this bit is 0, it indicates that no PCI clock is required for the function to generate $\overline{\text{PME}}$. Functions that do not support PME generation in any state must return 0 for this field.
2–0	Version	R	These 3 bits return 010b when read, indicating that there are 4 bytes of general-purpose power management (PM) registers as described in draft revision 1.1 of the <i>PCI Bus Power Management Interface Specification</i> .

‡ This bit is cleared only by the assertion of $\overline{\text{GRST}}$.

4.44 Power Management Control/Status Register

The power management control/status register determines and changes the current power state of the PCI7x21/PCI7x11 CardBus function. The contents of this register are not affected by the internally generated reset caused by the transition from the D3_{hot} to D0 state. See Table 4–20 for a complete description of the register contents.

All PCI registers, ExCA registers, and CardBus registers are reset as a result of a D3_{hot}-to-D0 state transition, with the exception of the $\overline{\text{PME}}$ context bits (if $\overline{\text{PME}}$ is enabled) and the $\overline{\text{GRST}}$ only bits.

Bit	15	14	13	12	11	10	9	8	7	6	5	4	3	2	1	0
Name	Power management control/status															
Type	RWC	R	R	R	R	R	R	RW	R	R	R	R	R	R	RW	RW
Default	0	0	0	0	0	0	0	0	0	0	0	0	0	0	0	0

Register: **Power management control/status**
 Offset: A4h (Functions 0, 1)
 Type: Read-only, Read/Write, Read/Write/Clear
 Default: 0000h

Table 4–20. Power Management Control/Status Register Description

BIT	SIGNAL	TYPE	FUNCTION
15 †	PMESTAT	RC	PME status. This bit is set when the CardBus function would normally assert the $\overline{\text{PME}}$ signal, independent of the state of the PME_EN bit. This bit is cleared by a writeback of 1, and this also clears the $\overline{\text{PME}}$ signal if PME was asserted by this function. Writing a 0 to this bit has no effect.
14–13	DATASCALE	R	This 2-bit field returns 0s when read. The CardBus function does not return any dynamic data.
12–9	DATASEL	R	Data select. This 4-bit field returns 0s when read. The CardBus function does not return any dynamic data.
8 ‡	PME_ENABLE	RW	This bit enables the function to assert $\overline{\text{PME}}$. If this bit is cleared, then assertion of $\overline{\text{PME}}$ is disabled. This bit is not cleared by the assertion of $\overline{\text{PRST}}$. It is only cleared by the assertion of $\overline{\text{GRST}}$.
7–2	RSVD	R	Reserved. These bits return 0s when read.
1–0	PWRSTATE	RW	Power state. This 2-bit field is used both to determine the current power state of a function and to set the function into a new power state. This field is encoded as: 00 = D0 01 = D1 10 = D2 11 = D3 _{hot}

† One or more bits in this register are PME context bits and can be cleared only by the assertion of $\overline{\text{GRST}}$ when $\overline{\text{PME}}$ is enabled. If $\overline{\text{PME}}$ is not enabled, then this bit is cleared by the assertion of $\overline{\text{PRST}}$ or $\overline{\text{GRST}}$.

‡ This bit is cleared only by the assertion of $\overline{\text{GRST}}$.

4.45 Power Management Control/Status Bridge Support Extensions Register

This register supports PCI bridge-specific functionality. It is required for all PCI-to-PCI bridges. See Table 4–21 for a complete description of the register contents.

Bit	7	6	5	4	3	2	1	0
Name	Power management control/status bridge support extensions							
Type	R	R	R	R	R	R	R	R
Default	1	1	0	0	0	0	0	0

Register: **Power management control/status bridge support extensions**
 Offset: A6h (Functions 0, 1)
 Type: Read-only
 Default: C0h

Table 4–21. Power Management Control/Status Bridge Support Extensions Register Description

BIT	SIGNAL	TYPE	FUNCTION
7	BPCC_EN	R	Bus power/clock control enable. This bit returns 1 when read. This bit is encoded as: 0 = Bus power/clock control is disabled. 1 = Bus power/clock control is enabled (default). A 0 indicates that the bus power/clock control policies defined in the <i>PCI Bus Power Management Interface Specification</i> are disabled. When the bus power/clock control enable mechanism is disabled, the power state field (bits 1–0) of the power management control/status register (PCI offset A4h, see Section 4.44) cannot be used by the system software to control the power or the clock of the secondary bus. A 1 indicates that the bus power/clock control mechanism is enabled.
6	<u>B2_B3</u>	R	B2/B3 support for D3 _{hot} . The state of this bit determines the action that is to occur as a direct result of programming the function to D3 _{hot} . This bit is only meaningful if bit 7 (BPCC_EN) is a 1. This bit is encoded as: 0 = When the bridge is programmed to D3 _{hot} , its secondary bus has its power removed (B3). 1 = When the bridge function is programmed to D3 _{hot} , its secondary bus PCI clock is stopped (B2) (default).
5–0	RSVD	R	Reserved. These bits return 0s when read.

4.46 Power-Management Data Register

The power-management data register returns 0s when read, because the CardBus functions do not report dynamic data.

Bit	7	6	5	4	3	2	1	0
Name	Power-management data							
Type	R	R	R	R	R	R	R	R
Default	0	0	0	0	0	0	0	0

Register: **Power-management data**
 Offset: A7h (functions 0, 1)
 Type: Read-only
 Default: 00h

4.47 Serial Bus Data Register

The serial bus data register is for programmable serial bus byte reads and writes. This register represents the data when generating cycles on the serial bus interface. To write a byte, this register must be programmed with the data, the serial bus index register must be programmed with the byte address, the serial bus slave address must be programmed with the 7-bit slave address, and the read/write indicator bit must be reset.

On byte reads, the byte address is programmed into the serial bus index register, the serial bus slave address register must be programmed with both the 7-bit slave address and the read/write indicator bit, and bit 5 (REQBUSY) in the serial bus control and status register (see Section 4.50) must be polled until clear. Then the contents of this register are valid read data from the serial bus interface. See Table 4–22 for a complete description of the register contents.

Bit	7	6	5	4	3	2	1	0
Name	Serial bus data							
Type	RW	RW	RW	RW	RW	RW	RW	RW
Default	0	0	0	0	0	0	0	0

Register: **Serial bus data**
 Offset: B0h (function 0)
 Type: Read/Write
 Default: 00h

Table 4–22. Serial Bus Data Register Description

BIT	SIGNAL	TYPE	FUNCTION
7–0 ‡	SBDATA	RW	Serial bus data. This bit field represents the data byte in a read or write transaction on the serial interface. On reads, the REQBUSY bit must be polled to verify that the contents of this register are valid.

‡ These bits are cleared only by the assertion of $\overline{\text{GRST}}$.

4.48 Serial Bus Index Register

The serial bus index register is for programmable serial bus byte reads and writes. This register represents the byte address when generating cycles on the serial bus interface. To write a byte, the serial bus data register must be programmed with the data, this register must be programmed with the byte address, and the serial bus slave address must be programmed with both the 7-bit slave address and the read/write indicator.

On byte reads, the word address is programmed into this register, the serial bus slave address must be programmed with both the 7-bit slave address and the read/write indicator bit, and bit 5 (REQBUSY) in the serial bus control and status register (see Section 4.50) must be polled until clear. Then the contents of the serial bus data register are valid read data from the serial bus interface. See Table 4–23 for a complete description of the register contents.

Bit	7	6	5	4	3	2	1	0
Name	Serial bus index							
Type	RW	RW	RW	RW	RW	RW	RW	RW
Default	0	0	0	0	0	0	0	0

Register: **Serial bus index**
 Offset: B1h (function 0)
 Type: Read/Write
 Default: 00h

Table 4–23. Serial Bus Index Register Description

BIT	SIGNAL	TYPE	FUNCTION
7–0 ‡	SBINDEX	RW	Serial bus index. This bit field represents the byte address in a read or write transaction on the serial interface.

‡ These bits are cleared only by the assertion of $\overline{\text{GRST}}$.

4.49 Serial Bus Slave Address Register

The serial bus slave address register is for programmable serial bus byte read and write transactions. To write a byte, the serial bus data register must be programmed with the data, the serial bus index register must be programmed with the byte address, and this register must be programmed with both the 7-bit slave address and the read/write indicator bit.

On byte reads, the byte address is programmed into the serial bus index register, this register must be programmed with both the 7-bit slave address and the read/write indicator bit, and bit 5 (REQBUSY) in the serial bus control and status register (see Section 4.50) must be polled until clear. Then the contents of the serial bus data register are valid read data from the serial bus interface. See Table 4–24 for a complete description of the register contents.

Bit	7	6	5	4	3	2	1	0
Name	Serial bus slave address							
Type	RW	RW	RW	RW	RW	RW	RW	RW
Default	0	0	0	0	0	0	0	0

Register: **Serial bus slave address**
 Offset: B2h (function 0)
 Type: Read/Write
 Default: 00h

Table 4–24. Serial Bus Slave Address Register Description

BIT	SIGNAL	TYPE	FUNCTION
7–1 ‡	SLAVADDR	RW	Serial bus slave address. This bit field represents the slave address of a read or write transaction on the serial interface.
0 ‡	RWCMD	RW	Read/write command. Bit 0 indicates the read/write command bit presented to the serial bus on byte read and write accesses. 0 = A byte write access is requested to the serial bus interface. 1 = A byte read access is requested to the serial bus interface.

‡ These bits are cleared only by the assertion of $\overline{\text{GRST}}$.

4.50 Serial Bus Control/Status Register

The serial bus control and status register communicates serial bus status information and selects the quick command protocol. Bit 5 (REQBUSY) in this register must be polled during serial bus byte reads to indicate when data is valid in the serial bus data register. See Table 4–25 for a complete description of the register contents.

Bit	7	6	5	4	3	2	1	0
Name	Serial bus control/status							
Type	RW	R	R	R	RW	RW	RC	RC
Default	0	0	0	0	0	0	0	0

Register: **Serial bus control/status**
 Offset: B3h (function 0)
 Type: Read-only, Read/Write, Read/Clear
 Default: 00h

Table 4–25. Serial Bus Control/Status Register Description

BIT	SIGNAL	TYPE	FUNCTION
7 ‡	PROT_SEL	RW	Protocol select. When bit 7 is set, the send-byte protocol is used on write requests and the receive-byte protocol is used on read commands. The word address byte in the serial bus index register (see Section 4.48) is not output by the PCI7x21/PCI7x11 controller when bit 7 is set.
6	RSVD	R	Reserved. Bit 6 returns 0 when read.
5	REQBUSY	R	Requested serial bus access busy. Bit 5 indicates that a requested serial bus access (byte read or write) is in progress. A request is made, and bit 5 is set, by writing to the serial bus slave address register (see Section 4.49). Bit 5 must be polled on reads from the serial interface. After the byte read access has been completed, this bit is cleared and the read data is valid in the serial bus data register.
4	ROMBUSY	R	Serial EEPROM busy status. Bit 4 indicates the status of the PCI7x21/PCI7x11 serial EEPROM circuitry. Bit 4 is set during the loading of the subsystem ID and other default values from the serial bus EEPROM. 0 = Serial EEPROM circuitry is not busy 1 = Serial EEPROM circuitry is busy
3 ‡	SBDETECT	RW	Serial bus detect. When the serial bus interface is detected through a pullup resistor on the SCL terminal after reset, this bit is set to 1. 0 = Serial bus interface not detected 1 = Serial bus interface detected
2 ‡	SBTEST	RW	Serial bus test. When bit 2 is set, the serial bus clock frequency is increased for test purposes. 0 = Serial bus clock at normal operating frequency, ≈ 100 kHz (default) 1 = Serial bus clock frequency increased for test purposes
1 ‡	REQ_ERR	RC	Requested serial bus access error. Bit 1 indicates when a data error occurs on the serial interface during a requested cycle and may be set due to a missing acknowledge. Bit 1 is cleared by a writeback of 1. 0 = No error detected during user-requested byte read or write cycle 1 = Data error detected during user-requested byte read or write cycle
0 ‡	ROM_ERR	RC	EEPROM data error status. Bit 0 indicates when a data error occurs on the serial interface during the auto-load from the serial bus EEPROM and may be set due to a missing acknowledge. Bit 0 is also set on invalid EEPROM data formats. See Section 3.6.4, <i>Serial Bus EEPROM Application</i> , for details on EEPROM data format. Bit 0 is cleared by a writeback of 1. 0 = No error detected during autoloading from serial bus EEPROM 1 = Data error detected during autoloading from serial bus EEPROM

‡ This bit is cleared only by the assertion of $\overline{\text{GRST}}$.

5 ExCA Compatibility Registers (Functions 0 and 1)

The ExCA (exchangeable card architecture) registers implemented in the PCI7x21/PCI7x11 controller are register-compatible with the Intel 82365SL-DF PCMCIA controller. ExCA registers are identified by an offset value, which is compatible with the legacy I/O index/data scheme used on the Intel™ 82365 ISA controller. The ExCA registers are accessed through this scheme by writing the register offset value into the index register (I/O base), and reading or writing the data register (I/O base + 1). The I/O base address used in the index/data scheme is programmed in the PC Card 16-bit I/F legacy mode base address register, which is shared by both card sockets. The offsets from this base address run contiguously from 00h to 3Fh for socket A, and from 40h to 7Fh for socket B. See Figure 5–1 for an ExCA I/O mapping illustration. Table 5–1 identifies each ExCA register and its respective ExCA offset.

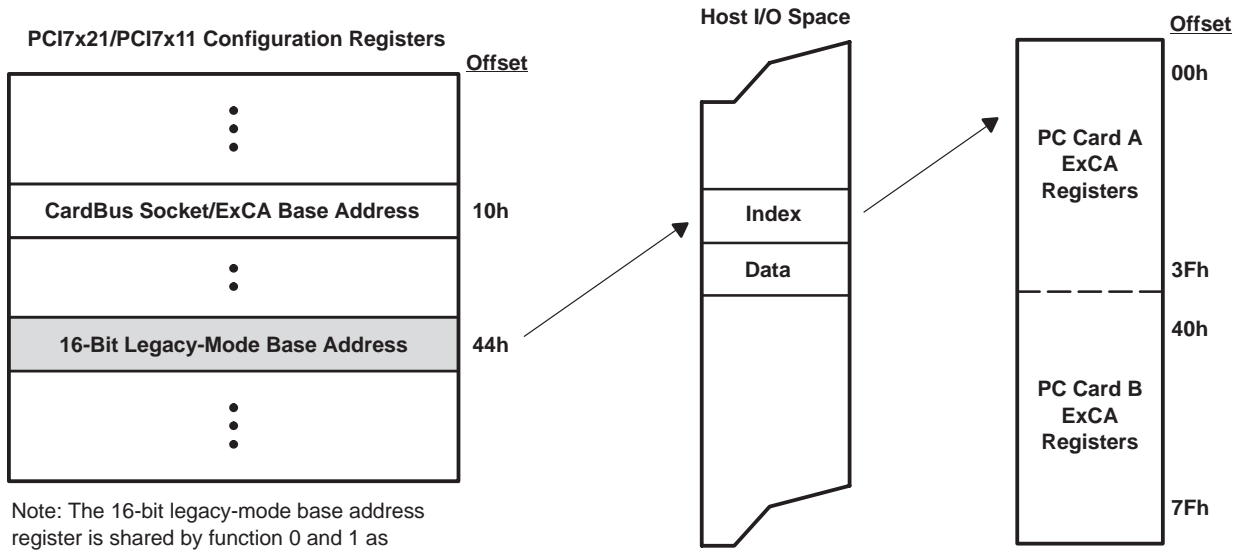
The PCI7x21/PCI7x11 controller also provides a memory-mapped alias of the ExCA registers by directly mapping them into PCI memory space. They are located through the CardBus socket registers/ExCA registers base address register (PCI register 10h) at memory offset 800h. Each socket has a separate base address programmable by function. See Figure 5–2 for an ExCA memory mapping illustration. Note that memory offsets are 800h–844h for both functions 0 and 1. This illustration also identifies the CardBus socket register mapping, which is mapped into the same 4K window at memory offset 0h.

The interrupt registers in the ExCA register set, as defined by the 82365SL specification, control such card functions as reset, type, interrupt routing, and interrupt enables. Special attention must be paid to the interrupt routing registers and the host interrupt signaling method selected for the PCI7x21/PCI7x11 controller to ensure that all possible PCI7x21/PCI7x11 interrupts can potentially be routed to the programmable interrupt controller. The ExCA registers that are critical to the interrupt signaling are at memory address ExCA offsets 803h and 805h.

Access to I/O mapped 16-bit PC Cards is available to the host system via two ExCA I/O windows. These are regions of host I/O address space into which the card I/O space is mapped. These windows are defined by start, end, and offset addresses programmed in the ExCA registers described in this chapter. I/O windows have byte granularity.

Access to memory-mapped 16-bit PC Cards is available to the host system via five ExCA memory windows. These are regions of host memory space into which the card memory space is mapped. These windows are defined by start, end, and offset addresses programmed in the ExCA registers described in this chapter. Memory windows have 4-Kbyte granularity.

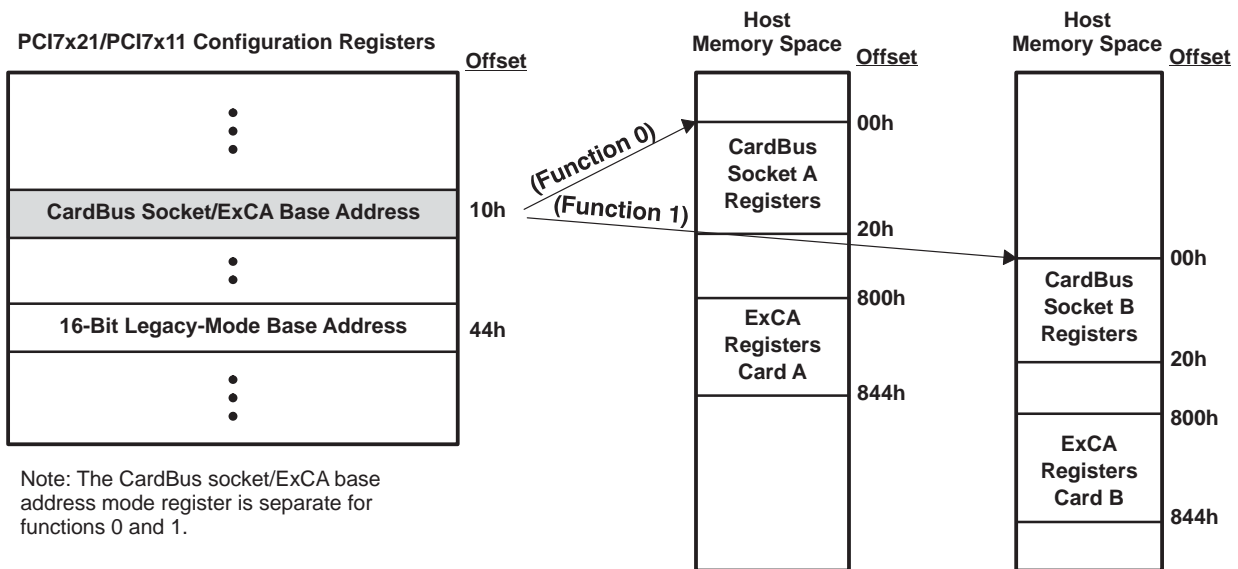
A bit location followed by a ‡ means that this bit is not cleared by the assertion of $\overline{\text{PRST}}$. This bit is only cleared by the assertion of $\overline{\text{GRST}}$. This is necessary to retain device context during the transition from D3 to D0.



Note: The 16-bit legacy-mode base address register is shared by function 0 and 1 as indicated by the shading.

Offset of desired register is placed in the index register and the data from that location is returned in the data register.

Figure 5-1. ExCA Register Access Through I/O



Note: The CardBus socket/ExCA base address mode register is separate for functions 0 and 1.

Offsets are from the CardBus socket/ExCA base address register's base address.

Figure 5-2. ExCA Register Access Through Memory

Table 5–1. ExCA Registers and Offsets

EXCA REGISTER NAME	PCI MEMORY ADDRESS OFFSET (HEX)	EXCA OFFSET (CARD A)	EXCA OFFSET (CARD B)
Identification and revision ‡	800	00	40
Interface status	801	01	41
Power control †	802†	02	42
Interrupt and general control †	803†	03	43
Card status change †	804†	04	44
Card status change interrupt configuration †	805†	05	45
Address window enable	806	06	46
I / O window control	807	07	47
I / O window 0 start-address low-byte	808	08	48
I / O window 0 start-address high-byte	809	09	49
I / O window 0 end-address low-byte	80A	0A	4A
I / O window 0 end-address high-byte	80B	0B	4B
I / O window 1 start-address low-byte	80C	0C	4C
I / O window 1 start-address high-byte	80D	0D	4D
I / O window 1 end-address low-byte	80E	0E	4E
I / O window 1 end-address high-byte	80F	0F	4F
Memory window 0 start-address low-byte	810	10	50
Memory window 0 start-address high-byte	811	11	51
Memory window 0 end-address low-byte	812	12	52
Memory window 0 end-address high-byte	813	13	53
Memory window 0 offset-address low-byte	814	14	54
Memory window 0 offset-address high-byte	815	15	55
Card detect and general control †	816	16	56
Reserved	817	17	57
Memory window 1 start-address low-byte	818	18	58
Memory window 1 start-address high-byte	819	19	59
Memory window 1 end-address low-byte	81A	1A	5A
Memory window 1 end-address high-byte	81B	1B	5B
Memory window 1 offset-address low-byte	81C	1C	5C
Memory window 1 offset-address high-byte	81D	1D	5D
Global control ‡	81E	1E	5E
Reserved	81F	1F	5F
Memory window 2 start-address low-byte	820	20	60
Memory window 2 start-address high-byte	821	21	61
Memory window 2 end-address low-byte	822	22	62
Memory window 2 end-address high-byte	823	23	63
Memory window 2 offset-address low-byte	824	24	64
Memory window 2 offset-address high-byte	825	25	65

† One or more bits in this register are cleared only by the assertion of $\overline{\text{GRST}}$ when $\overline{\text{PME}}$ is enabled. If $\overline{\text{PME}}$ is not enabled, then this bit is cleared by the assertion of $\overline{\text{PRST}}$ or $\overline{\text{GRST}}$.

‡ One or more bits in this register are cleared only by the assertion of $\overline{\text{GRST}}$.

Table 5–1. ExCA Registers and Offsets (continued)

EXCA REGISTER NAME	PCI MEMORY ADDRESS OFFSET (HEX)	EXCA OFFSET (CARD A)	EXCA OFFSET (CARD B)
Reserved	826	26	66
Reserved	827	27	67
Memory window 3 start-address low-byte	828	28	68
Memory window 3 start-address high-byte	829	29	69
Memory window 3 end-address low-byte	82A	2A	6A
Memory window 3 end-address high-byte	82B	2B	6B
Memory window 3 offset-address low-byte	82C	2C	6C
Memory window 3 offset-address high-byte	82D	2D	6D
Reserved	82E	2E	6E
Reserved	82F	2F	6F
Memory window 4 start-address low-byte	830	30	70
Memory window 4 start-address high-byte	831	31	71
Memory window 4 end-address low-byte	832	32	72
Memory window 4 end-address high-byte	833	33	73
Memory window 4 offset-address low-byte	834	34	74
Memory window 4 offset-address high-byte	835	35	75
I/O window 0 offset-address low-byte	836	36	76
I/O window 0 offset-address high-byte	837	37	77
I/O window 1 offset-address low-byte	838	38	78
I/O window 1 offset-address high-byte	839	39	79
Reserved	83A	3A	7A
Reserved	83B	3B	7B
Reserved	83C	3C	7C
Reserved	83D	3D	7D
Reserved	83E	3E	7E
Reserved	83F	3F	7F
Memory window page register 0	840	–	–
Memory window page register 1	841	–	–
Memory window page register 2	842	–	–
Memory window page register 3	843	–	–
Memory window page register 4	844	–	–

5.1 ExCA Identification and Revision Register

This register provides host software with information on 16-bit PC Card support and 82365SL-DF compatibility. See Table 5–2 for a complete description of the register contents.

NOTE: If bit 5 (SUBSYRW) in the system control register is 1, then this register is read-only.

Bit	7	6	5	4	3	2	1	0
Name	ExCA identification and revision							
Type	R	R	RW	RW	RW	RW	RW	RW
Default	1	0	0	0	0	1	0	0

Register: **ExCA identification and revision**

Offset: CardBus Socket Address + 800h: Card A ExCA Offset 00h
Card B ExCA Offset 40h

Type: Read/Write, Read-only

Default: 84h

Table 5–2. ExCA Identification and Revision Register Description

BIT	SIGNAL	TYPE	FUNCTION
7–6 ‡	IFTYPE	R	Interface type. These bits, which are hardwired as 10b, identify the 16-bit PC Card support provided by the PCI7x21/PCI7x11 controller. The PCI7x21/PCI7x11 controller supports both I/O and memory 16-bit PC Cards.
5–4 ‡	RSVD	RW	These bits can be used for 82365SL emulation.
3–0 ‡	365REV	RW	82365SL-DF revision. This field stores the Intel 82365SL-DF revision supported by the PCI7x21/PCI7x11 controller. Host software can read this field to determine compatibility to the 82365SL-DF register set. This field defaults to 0100b upon reset. Writing 0010b to this field places the controller in the 82356SL mode.

‡ These bits are cleared only by the assertion of \overline{GRST} .

5.2 ExCA Interface Status Register

This register provides information on current status of the PC Card interface. An X in the default bit values indicates that the value of the bit after reset depends on the state of the PC Card interface. See Table 5–3 for a complete description of the register contents.

Bit	7	6	5	4	3	2	1	0
Name	ExCA interface status							
Type	R	R	R	R	R	R	R	R
Default	0	0	X	X	X	X	X	X

Register: **ExCA interface status**
 Offset: CardBus Socket Address + 801h: Card A ExCA Offset 01h
 Card B ExCA Offset 41h
 Type: Read-only
 Default: 00XX XXXXb

Table 5–3. ExCA Interface Status Register Description

BIT	SIGNAL	TYPE	FUNCTION
7	RSVD	R	This bit returns 0 when read. A write has no effect.
6	CARDPWR	R	CARDPWR. Card power. This bit indicates the current power status of the PC Card socket. This bit reflects how the ExCA power control register has been programmed. The bit is encoded as: 0 = V_{CC} and V_{pp} to the socket are turned off (default). 1 = V_{CC} and V_{pp} to the socket are turned on.
5	READY	R	This bit indicates the current status of the READY signal at the PC Card interface. 0 = PC Card is not ready for a data transfer. 1 = PC Card is ready for a data transfer.
4	CARDWP	R	Card write protect. This bit indicates the current status of the WP signal at the PC Card interface. This signal reports to the PCI7x21/PCI7x11 controller whether or not the memory card is write protected. Further, write protection for an entire PCI7x21/PCI7x11 16-bit memory window is available by setting the appropriate bit in the ExCA memory window offset-address high-byte register. 0 = WP signal is 0. PC Card is R/W. 1 = WP signal is 1. PC Card is read-only.
3	CDETECT2	R	Card detect 2. This bit indicates the status of the CD2 signal at the PC Card interface. Software can use this and CDETECT1 to determine if a PC Card is fully seated in the socket. 0 = $\overline{CD2}$ signal is 1. No PC Card inserted. 1 = $\overline{CD2}$ signal is 0. PC Card at least partially inserted.
2	CDETECT1	R	Card detect 1. This bit indicates the status of the CD1 signal at the PC Card interface. Software can use this and CDETECT2 to determine if a PC Card is fully seated in the socket. 0 = $\overline{CD1}$ signal is 1. No PC Card inserted. 1 = $\overline{CD1}$ signal is 0. PC Card at least partially inserted.
1–0	BVDSTAT	R	Battery voltage detect. When a 16-bit memory card is inserted, the field indicates the status of the battery voltage detect signals (BVD1, BVD2) at the PC Card interface, where bit 0 reflects the BVD1 status, and bit 1 reflects BVD2. 00 = Battery is dead. 01 = Battery is dead. 10 = Battery is low; warning. 11 = Battery is good. When a 16-bit I/O card is inserted, this field indicates the status of the \overline{SPKR} (bit 1) signal and the \overline{STSCHG} (bit 0) at the PC Card interface. In this case, the two bits in this field directly reflect the current state of these card outputs.

5.4 ExCA Interrupt and General Control Register

This register controls interrupt routing for I/O interrupts as well as other critical 16-bit PC Card functions. See Table 5–6 for a complete description of the register contents.

Bit	7	6	5	4	3	2	1	0
Name	ExCA interrupt and general control							
Type	RW	RW	RW	RW	RW	RW	RW	RW
Default	0	0	0	0	0	0	0	0

Register: **ExCA interrupt and general control**
 Offset: CardBus Socket Address + 803h: Card A ExCA Offset 03h
 Card B ExCA Offset 43h
 Type: Read/Write
 Default: 00h

Table 5–6. ExCA Interrupt and General Control Register Description

BIT	SIGNAL	TYPE	FUNCTION
7	RINGEN	RW	Card ring indicate enable. Enables the ring indicate function of the BVD1/RI terminals. This bit is encoded as: 0 = Ring indicate disabled (default) 1 = Ring indicate enabled
6 †	RESET	RW	Card reset. This bit controls the 16-bit PC Card RESET signal, and allows host software to force a card reset. This bit affects 16-bit cards only. This bit is encoded as: 0 = RESET signal asserted (default) 1 = RESET signal deasserted.
5 †	CARDTYPE	RW	Card type. This bit indicates the PC Card type. This bit is encoded as: 0 = Memory PC Card is installed (default) 1 = I/O PC Card is installed
4	CSCROUTE	RW	PCI interrupt – CSC routing enable bit. This bit has meaning only if the CSC interrupt routing control bit (PCI offset 93h, bit 5) is 0. In this case, when this bit is set (high), the card status change interrupts are routed to PCI interrupts. When low, the card status change interrupts are routed using bits 7–4 in the ExCA card status-change interrupt configuration register (ExCA offset 805h, see Section 5.6). This bit is encoded as: 0 = CSC interrupts routed by ExCA registers (default) 1 = CSC interrupts routed to PCI interrupts If the CSC interrupt routing control bit (bit 5) of the diagnostic register (PCI offset 93h, see Section 4.40) is set to 1, this bit has no meaning, which is the default case.
3–0	INTSELECT	RW	Card interrupt select for I/O PC Card functional interrupts. These bits select the interrupt routing for I/O PC Card functional interrupts. This field is encoded as: 0000 = No IRQ selected (default). CSC interrupts are routed to PCI Interrupts. This bit setting is ORed with bit 4 (CSCROUTE) for backward compatibility. 0001 = IRQ1 enabled 0010 = SMI enabled 0011 = IRQ3 enabled 0100 = IRQ4 enabled 0101 = IRQ5 enabled 0110 = IRQ6 enabled 0111 = IRQ7 enabled 1000 = IRQ8 enabled 1001 = IRQ9 enabled 1010 = IRQ10 enabled 1011 = IRQ11 enabled 1100 = IRQ12 enabled 1101 = IRQ13 enabled 1110 = IRQ14 enabled 1111 = IRQ15 enabled

† This bit is cleared only by the assertion of GRST when PME is enabled. If PME is not enabled, then this bit is cleared by the assertion of PRST or GRST.

5.5 ExCA Card Status-Change Register

The ExCA card status-change register controls interrupt routing for I/O interrupts as well as other critical 16-bit PC Card functions. The register enables these interrupt sources to generate an interrupt to the host. When the interrupt source is disabled, the corresponding bit in this register always reads 0. When an interrupt source is enabled, the corresponding bit in this register is set to indicate that the interrupt source is active. After generating the interrupt to the host, the interrupt service routine must read this register to determine the source of the interrupt. The interrupt service routine is responsible for resetting the bits in this register as well. Resetting a bit is accomplished by one of two methods: a read of this register or an explicit writeback of 1 to the status bit. The choice of these two methods is based on bit 2 (interrupt flag clear mode select) in the ExCA global control register (CB offset 81Eh, see Section 5.20). See Table 5–7 for a complete description of the register contents.

Bit	7	6	5	4	3	2	1	0
Name	ExCA card status-change							
Type	R	R	R	R	R	R	R	R
Default	0	0	0	0	0	0	0	0

Register: **ExCA card status-change**
 Type: Read-only
 Offset: CardBus socket address + 804h; Card A ExCA offset 04h
 Card B ExCA offset 44h
 Default: 00h

Table 5–7. ExCA Card Status-Change Register Description

BIT	SIGNAL	TYPE	FUNCTION
7–4	RSVD	R	Reserved. Bits 7–4 return 0s when read.
3 †	CDCHANGE	R	Card detect change. Bit 3 indicates whether a change on $\overline{CD1}$ or $\overline{CD2}$ occurred at the PC Card interface. This bit is encoded as: 0 = No change detected on either $\overline{CD1}$ or $\overline{CD2}$ 1 = Change detected on either $\overline{CD1}$ or $\overline{CD2}$
2 †	READYCHANGE	R	Ready change. When a 16-bit memory is installed in the socket, bit 2 includes whether the source of a PCI7x21/PCI7x11 interrupt was due to a change on READY at the PC Card interface, indicating that the PC Card is now ready to accept new data. This bit is encoded as: 0 = No low-to-high transition detected on READY (default) 1 = Detected low-to-high transition on READY When a 16-bit I/O card is installed, bit 2 is always 0.
1 †	BATWARN	R	Battery warning change. When a 16-bit memory card is installed in the socket, bit 1 indicates whether the source of a PCI7x21/PCI7x11 interrupt was due to a battery-low warning condition. This bit is encoded as: 0 = No battery warning condition (default) 1 = Detected battery warning condition When a 16-bit I/O card is installed, bit 1 is always 0.
0 †	BATDEAD	R	Battery dead or status change. When a 16-bit memory card is installed in the socket, bit 0 indicates whether the source of a PCI7x21/PCI7x11 interrupt was due to a battery dead condition. This bit is encoded as: 0 = \overline{STSCHG} deasserted (default) 1 = \overline{STSCHG} asserted Ring indicate. When the PCI7x21/PCI7x11 is configured for ring indicate operation, bit 0 indicates the status of \overline{RI} .

† These are PME context bits and can be cleared only by the assertion of \overline{GRST} when \overline{PME} is enabled. If \overline{PME} is not enabled, then these bits are cleared by the assertion of \overline{PRST} or \overline{GRST} .

5.6 ExCA Card Status-Change Interrupt Configuration Register

This register controls interrupt routing for CSC interrupts, as well as masks/unmasks CSC interrupt sources. See Table 5–8 for a complete description of the register contents.

Bit	7	6	5	4	3	2	1	0
Name	ExCA card status-change interrupt configuration							
Type	RW	RW	RW	RW	RW	RW	RW	RW
Default	0	0	0	0	0	0	0	0

Register: **ExCA card status-change interrupt configuration**
 Offset: CardBus Socket Address + 805h: Card A ExCA Offset 05h
 Card B ExCA Offset 45h
 Type: Read/Write
 Default: 00h

Table 5–8. ExCA Card Status-Change Interrupt Configuration Register Description

BIT	SIGNAL	TYPE	FUNCTION
7–4	CSCSELECT	RW	<p>Interrupt select for card status change. These bits select the interrupt routing for card status-change interrupts. This field is encoded as:</p> <p>0000 = CSC interrupts routed to PCI interrupts if bit 5 of the diagnostic register (PCI offset 93h) is set to 1b. In this case bit 4 of ExCA 803 is a don't care. This is the default setting.</p> <p>0000 = No ISA interrupt routing if bit 5 of the diagnostic register (PCI offset 93h) is set to 0b. In this case, CSC interrupts are routed to PCI interrupts by setting bit 4 of ExCA 803h to 1b.</p> <p>0001 = IRQ1 enabled 0010 = SMI enabled 0011 = IRQ3 enabled 0100 = IRQ4 enabled 0101 = IRQ5 enabled 0110 = IRQ6 enabled 0111 = IRQ7 enabled 1000 = IRQ8 enabled 1001 = IRQ9 enabled 1010 = IRQ10 enabled 1011 = IRQ11 enabled 1100 = IRQ12 enabled 1101 = IRQ13 enabled 1110 = IRQ14 enabled 1111 = IRQ15 enabled</p>
3†	CDEN	RW	<p>Card detect enable. Enables interrupts on CD1 or CD2 changes. This bit is encoded as:</p> <p>0 = Disables interrupts on CD1 or CD2 line changes (default) 1 = Enables interrupts on CD1 or CD2 line changes</p>
2†	READYEN	RW	<p>Ready enable. This bit enables/disables a low-to-high transition on the PC Card READY signal to generate a host interrupt. This interrupt source is considered a card status change. This bit is encoded as:</p> <p>0 = Disables host interrupt generation (default) 1 = Enables host interrupt generation</p>
1†	BATWARNEN	RW	<p>Battery warning enable. This bit enables/disables a battery warning condition to generate a CSC interrupt. This bit is encoded as:</p> <p>0 = Disables host interrupt generation (default) 1 = Enables host interrupt generation</p>
0†	BATDEADEN	RW	<p>Battery <u>dead</u> enable. This bit enables/disables a battery dead condition on a memory PC Card or assertion of the STSCHG I/O PC Card signal to generate a CSC interrupt.</p> <p>0 = Disables host interrupt generation (default) 1 = Enables host interrupt generation</p>

† This bit is cleared only by the assertion of GRST when PME is enabled. If PME is not enabled, then this bit is cleared by the assertion of PRST or GRST.

5.7 ExCA Address Window Enable Register

The ExCA address window enable register enables/disables the memory and I/O windows to the 16-bit PC Card. By default, all windows to the card are disabled. The PCI7x21/PCI7x11 controller does not acknowledge PCI memory or I/O cycles to the card if the corresponding enable bit in this register is 0, regardless of the programming of the memory or I/O window start/end/offset address registers. See Table 5–9 for a complete description of the register contents.

Bit	7	6	5	4	3	2	1	0
Name	ExCA address window enable							
Type	RW	RW	R	RW	RW	RW	RW	RW
Default	0	0	0	0	0	0	0	0

Register: **ExCA address window enable**
 Type: Read-only, Read/Write
 Offset: CardBus socket address + 806h; Card A ExCA offset 06h
 Card B ExCA offset 46h
 Default: 00h

Table 5–9. ExCA Address Window Enable Register Description

BIT	SIGNAL	TYPE	FUNCTION
7	IOWIN1EN	RW	I/O window 1 enable. Bit 7 enables/disables I/O window 1 for the PC Card. This bit is encoded as: 0 = I/O window 1 disabled (default) 1 = I/O window 1 enabled
6	IOWIN0EN	RW	I/O window 0 enable. Bit 6 enables/disables I/O window 0 for the PC Card. This bit is encoded as: 0 = I/O window 0 disabled (default) 1 = I/O window 0 enabled
5	RSVD	R	Reserved. Bit 5 returns 0 when read.
4	MEMWIN4EN	RW	Memory window 4 enable. Bit 4 enables/disables memory window 4 for the PC Card. This bit is encoded as: 0 = Memory window 4 disabled (default) 1 = Memory window 4 enabled
3	MEMWIN3EN	RW	Memory window 3 enable. Bit 3 enables/disables memory window 3 for the PC Card. This bit is encoded as: 0 = Memory window 3 disabled (default) 1 = Memory window 3 enabled
2	MEMWIN2EN	RW	Memory window 2 enable. Bit 2 enables/disables memory window 2 for the PC Card. This bit is encoded as: 0 = Memory window 2 disabled (default) 1 = Memory window 2 enabled
1	MEMWIN1EN	RW	Memory window 1 enable. Bit 1 enables/disables memory window 1 for the PC Card. This bit is encoded as: 0 = Memory window 1 disabled (default) 1 = Memory window 1 enabled
0	MEMWIN0EN	RW	Memory window 0 enable. Bit 0 enables/disables memory window 0 for the PC Card. This bit is encoded as: 0 = Memory window 0 disabled (default) 1 = Memory window 0 enabled

5.8 ExCA I/O Window Control Register

The ExCA I/O window control register contains parameters related to I/O window sizing and cycle timing. See Table 5–10 for a complete description of the register contents.

Bit	7	6	5	4	3	2	1	0
Name	ExCA I/O window control							
Type	RW	RW	RW	RW	RW	RW	RW	RW
Default	0	0	0	0	0	0	0	0

Register: **ExCA I/O window control**
 Type: Read/Write
 Offset: CardBus socket address + 807h: Card A ExCA offset 07h
 Card B ExCA offset 47h
 Default: 00h

Table 5–10. ExCA I/O Window Control Register Description

BIT	SIGNAL	TYPE	FUNCTION
7	WAITSTATE1	RW	I/O window 1 wait state. Bit 7 controls the I/O window 1 wait state for 16-bit I/O accesses. Bit 7 has no effect on 8-bit accesses. This wait-state timing emulates the ISA wait state used by the Intel 82365SL-DF. This bit is encoded as: 0 = 16-bit cycles have standard length (default). 1 = 16-bit cycles are extended by one equivalent ISA wait state.
6	ZEROWS1	RW	I/O window 1 zero wait state. Bit 6 controls the I/O window 1 wait state for 8-bit I/O accesses. Bit 6 has no effect on 16-bit accesses. This wait-state timing emulates the ISA wait state used by the Intel 82365SL-DF. This bit is encoded as: 0 = 8-bit cycles have standard length (default). 1 = 8-bit cycles are reduced to equivalent of three ISA cycles.
5	IOSIS16W1	RW	I/O window 1 $\overline{\text{IOSIS16}}$ source. Bit 5 controls the I/O window 1 automatic data-sizing feature that uses $\overline{\text{IOSIS16}}$ from the PC Card to determine the data width of the I/O data transfer. This bit is encoded as: 0 = Window data width determined by DATASIZE1, bit 4 (default). 1 = Window data width determined by $\overline{\text{IOSIS16}}$.
4	DATASIZE1	RW	I/O window 1 data size. Bit 4 controls the I/O window 1 data size. Bit 4 is ignored if bit 5 (IOSIS16W1) is set. This bit is encoded as: 0 = Window data width is 8 bits (default). 1 = Window data width is 16 bits.
3	WAITSTATE0	RW	I/O window 0 wait state. Bit 3 controls the I/O window 0 wait state for 16-bit I/O accesses. Bit 3 has no effect on 8-bit accesses. This wait-state timing emulates the ISA wait state used by the Intel 82365SL-DF. This bit is encoded as: 0 = 16-bit cycles have standard length (default). 1 = 16-bit cycles are extended by one equivalent ISA wait state.
2	ZEROWS0	RW	I/O window 0 zero wait state. Bit 2 controls the I/O window 0 wait state for 8-bit I/O accesses. Bit 2 has no effect on 16-bit accesses. This wait-state timing emulates the ISA wait state used by the Intel 82365SL-DF. This bit is encoded as: 0 = 8-bit cycles have standard length (default). 1 = 8-bit cycles are reduced to equivalent of three ISA cycles.
1	IOSIS16W0	RW	I/O window 0 $\overline{\text{IOSIS16}}$ source. Bit 1 controls the I/O window 0 automatic data sizing feature that uses $\overline{\text{IOSIS16}}$ from the PC Card to determine the data width of the I/O data transfer. This bit is encoded as: 0 = Window data width is determined by DATASIZE0, bit 0 (default). 1 = Window data width is determined by $\overline{\text{IOSIS16}}$.
0	DATASIZE0	RW	I/O window 0 data size. Bit 0 controls the I/O window 0 data size. Bit 0 is ignored if bit 1 (IOSIS16W0) is set. This bit is encoded as: 0 = Window data width is 8 bits (default). 1 = Window data width is 16 bits.

5.9 ExCA I/O Windows 0 and 1 Start-Address Low-Byte Registers

These registers contain the low byte of the 16-bit I/O window start address for I/O windows 0 and 1. The 8 bits of these registers correspond to the lower 8 bits of the start address.

Bit	7	6	5	4	3	2	1	0
Name	ExCA I/O windows 0 and 1 start-address low-byte							
Type	RW	RW	RW	RW	RW	RW	RW	RW
Default	0	0	0	0	0	0	0	0

Register: **ExCA I/O window 0 start-address low-byte**
Offset: CardBus Socket Address + 808h: Card A ExCA Offset 08h
Card B ExCA Offset 48h

Register: **ExCA I/O window 1 start-address low-byte**
Offset: CardBus Socket Address + 80Ch: Card A ExCA Offset 0Ch
Card B ExCA Offset 4Ch

Type: Read/Write
Default: 00h

5.10 ExCA I/O Windows 0 and 1 Start-Address High-Byte Registers

These registers contain the high byte of the 16-bit I/O window start address for I/O windows 0 and 1. The 8 bits of these registers correspond to the upper 8 bits of the start address.

Bit	7	6	5	4	3	2	1	0
Name	ExCA I/O windows 0 and 1 start-address high-byte							
Type	RW	RW	RW	RW	RW	RW	RW	RW
Default	0	0	0	0	0	0	0	0

Register: **ExCA I/O window 0 start-address high-byte**
Offset: CardBus Socket Address + 809h: Card A ExCA Offset 09h
Card B ExCA Offset 49h

Register: **ExCA I/O window 1 start-address high-byte**
Offset: CardBus Socket Address + 80Dh: Card A ExCA Offset 0Dh
Card B ExCA Offset 4Dh

Type: Read/Write
Default: 00h

5.11 ExCA I/O Windows 0 and 1 End-Address Low-Byte Registers

These registers contain the low byte of the 16-bit I/O window end address for I/O windows 0 and 1. The 8 bits of these registers correspond to the lower 8 bits of the start address.

Bit	7	6	5	4	3	2	1	0
Name	ExCA I/O windows 0 and 1 end-address low-byte							
Type	RW	RW	RW	RW	RW	RW	RW	RW
Default	0	0	0	0	0	0	0	0

Register: **ExCA I/O window 0 end-address low-byte**

Offset: CardBus Socket Address + 80Ah: Card A ExCA Offset 0Ah
Card B ExCA Offset 4Ah

Register: **ExCA I/O window 1 end-address low-byte**

Offset: CardBus Socket Address + 80Eh: Card A ExCA Offset 0Eh
Card B ExCA Offset 4Eh

Type: Read/Write

Default: 00h

5.12 ExCA I/O Windows 0 and 1 End-Address High-Byte Registers

These registers contain the high byte of the 16-bit I/O window end address for I/O windows 0 and 1. The 8 bits of these registers correspond to the upper 8 bits of the end address.

Bit	7	6	5	4	3	2	1	0
Name	ExCA I/O windows 0 and 1 end-address high-byte							
Type	RW	RW	RW	RW	RW	RW	RW	RW
Default	0	0	0	0	0	0	0	0

Register: **ExCA I/O window 0 end-address high-byte**

Offset: CardBus Socket Address + 80Bh: Card A ExCA Offset 0Bh
Card B ExCA Offset 4Bh

Register: **ExCA I/O window 1 end-address high-byte**

Offset: CardBus Socket Address + 80Fh: Card A ExCA Offset 0Fh
Card B ExCA Offset 4Fh

Type: Read/Write

Default: 00h

5.13 ExCA Memory Windows 0–4 Start-Address Low-Byte Registers

These registers contain the low byte of the 16-bit memory window start address for memory windows 0, 1, 2, 3, and 4. The 8 bits of these registers correspond to bits A19–A12 of the start address.

Bit	7	6	5	4	3	2	1	0
Name	ExCA memory windows 0–4 start-address low-byte							
Type	RW	RW	RW	RW	RW	RW	RW	RW
Default	0	0	0	0	0	0	0	0

- Register: **ExCA memory window 0 start-address low-byte**
Offset: CardBus Socket Address + 810h: Card A ExCA Offset 10h
Card B ExCA Offset 50h
- Register: **ExCA memory window 1 start-address low-byte**
Offset: CardBus Socket Address + 818h: Card A ExCA Offset 18h
Card B ExCA Offset 58h
- Register: **ExCA memory window 2 start-address low-byte**
Offset: CardBus Socket Address + 820h: Card A ExCA Offset 20h
Card B ExCA Offset 60h
- Register: **ExCA memory window 3 start-address low-byte**
Offset: CardBus Socket Address + 828h: Card A ExCA Offset 28h
Card B ExCA Offset 68h
- Register: **ExCA memory window 4 start-address low-byte**
Offset: CardBus Socket Address + 830h: Card A ExCA Offset 30h
Card B ExCA Offset 70h
- Type: Read/Write
- Default: 00h

5.14 ExCA Memory Windows 0–4 Start-Address High-Byte Registers

These registers contain the high nibble of the 16-bit memory window start address for memory windows 0, 1, 2, 3, and 4. The lower 4 bits of these registers correspond to bits A23–A20 of the start address. In addition, the memory window data width and wait states are set in this register. See Table 5–11 for a complete description of the register contents.

Bit	7	6	5	4	3	2	1	0
Name	ExCA memory windows 0–4 start-address high-byte							
Type	RW	RW	RW	RW	RW	RW	RW	RW
Default	0	0	0	0	0	0	0	0

Register: **ExCA memory window 0 start-address high-byte**
 Offset: CardBus Socket Address + 811h: Card A ExCA Offset 11h
 Card B ExCA Offset 51h

Register: **ExCA memory window 1 start-address high-byte**
 Offset: CardBus Socket Address + 819h: Card A ExCA Offset 19h
 Card B ExCA Offset 59h

Register: **ExCA memory window 2 start-address high-byte**
 Offset: CardBus Socket Address + 821h: Card A ExCA Offset 21h
 Card B ExCA Offset 61h

Register: **ExCA memory window 3 start-address high-byte**
 Offset: CardBus Socket Address + 829h: Card A ExCA Offset 29h
 Card B ExCA Offset 69h

Register: **ExCA memory window 4 start-address high-byte**
 Offset: CardBus Socket Address + 831h: Card A ExCA Offset 31h
 Card B ExCA Offset 71h

Type: Read/Write
 Default: 00h

Table 5–11. ExCA Memory Windows 0–4 Start-Address High-Byte Registers Description

BIT	SIGNAL	TYPE	FUNCTION
7	DATASIZE	RW	This bit controls the memory window data width. This bit is encoded as: 0 = Window data width is 8 bits (default) 1 = Window data width is 16 bits
6	ZEROWAIT	RW	Zero wait-state. This bit controls the memory window wait state for 8- and 16-bit accesses. This wait-state timing emulates the ISA wait state used by the 82365SL-DF. This bit is encoded as: 0 = 8- and 16-bit cycles have standard length (default). 1 = 8-bit cycles reduced to equivalent of three ISA cycles 16-bit cycles reduced to the equivalent of two ISA cycles
5–4	SCRATCH	RW	Scratch pad bits. These bits have no effect on memory window operation.
3–0	STAHN	RW	Start address high-nibble. These bits represent the upper address bits A23–A20 of the memory window start address.

5.15 ExCA Memory Windows 0–4 End-Address Low-Byte Registers

These registers contain the low byte of the 16-bit memory window end address for memory windows 0, 1, 2, 3, and 4. The 8 bits of these registers correspond to bits A19–A12 of the end address.

Bit	7	6	5	4	3	2	1	0
Name	ExCA memory windows 0–4 end-address low-byte							
Type	RW	RW	RW	RW	RW	RW	RW	RW
Default	0	0	0	0	0	0	0	0

Register: **ExCA memory window 0 end-address low-byte**
 Offset: CardBus Socket Address + 812h: Card A ExCA Offset 12h
 Card B ExCA Offset 52h

Register: **ExCA memory window 1 end-address low-byte**
 Offset: CardBus Socket Address + 81Ah: Card A ExCA Offset 1Ah
 Card B ExCA Offset 5Ah

Register: **ExCA memory window 2 end-address low-byte**
 Offset: CardBus Socket Address + 822h: Card A ExCA Offset 22h
 Card B ExCA Offset 62h

Register: **ExCA memory window 3 end-address low-byte**
 Offset: CardBus Socket Address + 82Ah: Card A ExCA Offset 2Ah
 Card B ExCA Offset 6Ah

Register: **ExCA memory window 4 end-address low-byte**
 Offset: CardBus Socket Address + 832h: Card A ExCA Offset 32h
 Card B ExCA Offset 72h

Type: Read/Write
 Default: 00h

5.18 ExCA Memory Windows 0–4 Offset-Address High-Byte Registers

These registers contain the high 6 bits of the 16-bit memory window offset address for memory windows 0, 1, 2, 3, and 4. The lower 6 bits of these registers correspond to bits A25–A20 of the offset address. In addition, the write protection and common/attribute memory configurations are set in this register. See Table 5–13 for a complete description of the register contents.

Bit	7	6	5	4	3	2	1	0
Name	ExCA memory window 0–4 offset-address high-byte							
Type	RW	RW	RW	RW	RW	RW	RW	RW
Default	0	0	0	0	0	0	0	0

Register: **ExCA memory window 0 offset-address high-byte**

Offset: CardBus Socket Address + 815h: Card A ExCA Offset 15h
Card B ExCA Offset 55h

Register: **ExCA memory window 1 offset-address high-byte**

Offset: CardBus Socket Address + 81Dh: Card A ExCA Offset 1Dh
Card B ExCA Offset 5Dh

Register: **ExCA memory window 2 offset-address high-byte**

Offset: CardBus Socket Address + 825h: Card A ExCA Offset 25h
Card B ExCA Offset 65h

Register: **ExCA memory window 3 offset-address high-byte**

Offset: CardBus Socket Address + 82Dh: Card A ExCA Offset 2Dh
Card B ExCA Offset 6Dh

Register: **ExCA memory window 4 offset-address high-byte**

Offset: CardBus Socket Address + 835h: Card A ExCA Offset 35h
Card B ExCA Offset 75h

Type: Read/Write

Default: 00h

Table 5–13. ExCA Memory Windows 0–4 Offset-Address High-Byte Registers Description

BIT	SIGNAL	TYPE	FUNCTION
7	WINWP	RW	Write protect. This bit specifies whether write operations to this memory window are enabled. This bit is encoded as: 0 = Write operations are allowed (default). 1 = Write operations are not allowed.
6	REG	RW	This bit specifies whether this memory window is mapped to card attribute or common memory. This bit is encoded as: 0 = Memory window is mapped to common memory (default). 1 = Memory window is mapped to attribute memory.
5–0	OFFHB	RW	Offset-address high byte. These bits represent the upper address bits A25–A20 of the memory window offset address.

5.19 ExCA Card Detect and General Control Register

This register controls how the ExCA registers for the socket respond to card removal. It also reports the status of the $\overline{VS1}$ and $\overline{VS2}$ signals at the PC Card interface. Table 5–14 describes each bit in the ExCA card detect and general control register.

Bit	7	6	5	4	3	2	1	0
Name	ExCA card detect and general control							
Type	R	R	W	RW	R	R	RW	R
Default	X	X	0	0	0	0	0	0

Register: **ExCA card detect and general control**
 Offset: CardBus Socket Address + 816h: Card A ExCA Offset 16h
 Card B ExCA Offset 56h
 Type: Read-only, Write-only, Read/Write
 Default: XX00 0000b

Table 5–14. ExCA Card Detect and General Control Register Description

BIT	SIGNAL	TYPE	FUNCTION
7 †	VS2STAT	R	VS2. This bit reports the current state of the $\overline{VS2}$ signal at the PC Card interface, and, therefore, does not have a default value. 0 = $\overline{VS2}$ is low. 1 = $\overline{VS2}$ is high.
6 †	VS1STAT	R	VS1. This bit reports the current state of the $\overline{VS1}$ signal at the PC Card interface, and, therefore, does not have a default value. 0 = $\overline{VS1}$ is low. 1 = $\overline{VS1}$ is high.
5	SWCSC	W	Software card detect interrupt. If card detect enable, bit 3 in the ExCA card status change interrupt configuration register (ExCA offset 805h, see Section 5.6) is set, then writing a 1 to this bit causes a card-detect card-status-change interrupt for the associated card socket. If the card-detect enable bit is cleared to 0 in the ExCA card status-change interrupt configuration register (ExCA offset 805h, see Section 5.6), then writing a 1 to the software card-detect interrupt bit has no effect. This bit is write-only. A read operation of this bit always returns 0. Writing a 1 to this bit also clears it. If bit 2 of the ExCA global control register (ExCA offset 81Eh, see Section 5.20) is set and a 1 is written to clear bit 3 of the ExCA card status change interrupt register, then this bit also is cleared.
4	CDRESUME	RW	Card detect resume enable. If this bit is set to 1 and a card detect change has been detected on the $\overline{CD1}$ and $\overline{CD2}$ inputs, then the $\overline{RI_OUT}$ output goes from high to low. The $\overline{RI_OUT}$ remains low until the card status change bit in the ExCA card status-change register (ExCA offset 804h, see Section 5.5) is cleared. If this bit is a 0, then the card detect resume functionality is disabled. 0 = Card detect resume disabled (default) 1 = Card detect resume enabled
3–2	RSVD	R	These bits return 0s when read. Writes have no effect.
1	REGCONFIG	RW	Register configuration upon card removal. This bit controls how the ExCA registers for the socket react to a card removal event. This bit is encoded as: 0 = No change to ExCA registers upon card removal (default) 1 = Reset ExCA registers upon card removal
0	RSVD	R	This bit returns 0 when read. A write has no effect.

† One or more bits in this register are cleared only by the assertion of \overline{GRST} when \overline{PME} is enabled. If \overline{PME} is not enabled, then this bit is cleared by the assertion of \overline{PRST} or \overline{GRST} .

5.20 ExCA Global Control Register

This register controls both PC Card sockets, and is not duplicated for each socket. The host interrupt mode bits in this register are retained for 82365SL-DF compatibility. See Table 5–15 for a complete description of the register contents.

Bit	7	6	5	4	3	2	1	0
Name	ExCA global control							
Type	R	R	R	RW	RW	RW	RW	RW
Default	0	0	0	0	0	0	0	0

Register: **ExCA global control**
 Offset: CardBus Socket Address + 81Eh: Card A ExCA Offset 1Eh
 Card B ExCA Offset 5Eh
 Type: Read-only, Read/Write
 Default: 00h

Table 5–15. ExCA Global Control Register Description

BIT	SIGNAL	TYPE	FUNCTION
7–5	RSVD	R	These bits return 0s when read. Writes have no effect.
4	INTMODEB	RW	Level/edge interrupt mode select, card B. This bit selects the signaling mode for the PCI7x21/PCI7x11 host interrupt for card B interrupts. This bit is encoded as: 0 = Host interrupt is edge mode (default). 1 = Host interrupt is level mode.
3	INTMODEA	RW	Level/edge interrupt mode select, card A. This bit selects the signaling mode for the PCI7x21/PCI7x11 host interrupt for card A interrupts. This bit is encoded as: 0 = Host interrupt is edge-mode (default). 1 = Host interrupt is level-mode.
2 ‡	IFCMODE	RW	Interrupt flag clear mode select. This bit selects the interrupt flag clear mechanism for the flags in the ExCA card status change register. This bit is encoded as: 0 = Interrupt flags cleared by read of CSC register (default) 1 = Interrupt flags cleared by explicit writeback of 1
1 ‡	CSCMODE	RW	Card status change level/edge mode select. This bit selects the signaling mode for the PCI7x21/PCI7x11 host interrupt for card status changes. This bit is encoded as: 0 = Host interrupt is edge-mode (default). 1 = Host interrupt is level-mode.
0 ‡	PWRDWN	RW	Power-down mode select. When this bit is set to 1, the PCI7x21/PCI7x11 controller is in power-down mode. In power-down mode the PCI7x21/PCI7x11 card outputs are placed in a high-impedance state until an active cycle is executed on the card interface. Following an active cycle the outputs are again placed in a high-impedance state. The PCI7x21/PCI7x11 controller still receives functional interrupts and/or card status change interrupts; however, an actual card access is required to wake up the interface. This bit is encoded as: 0 = Power-down mode disabled (default) 1 = Power-down mode enabled

‡ One or more bits in this register are cleared only by the assertion of GRST.

5.23 ExCA Memory Windows 0–4 Page Registers

The upper 8 bits of a 4-byte PCI memory address are compared to the contents of this register when decoding addresses for 16-bit memory windows. Each window has its own page register, all of which default to 00h. By programming this register to a nonzero value, host software can locate 16-bit memory windows in any one of 256 16-Mbyte regions in the 4-gigabyte PCI address space. These registers are only accessible when the ExCA registers are memory-mapped, that is, these registers may not be accessed using the index/data I/O scheme.

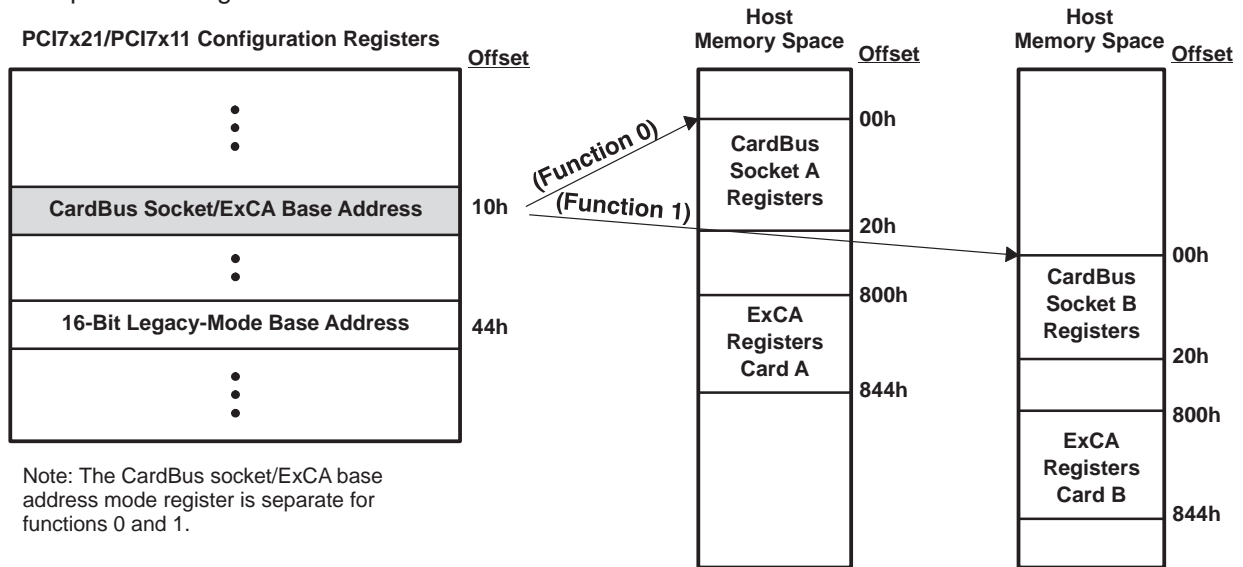
Bit	7	6	5	4	3	2	1	0
Name	ExCA memory windows 0–4 page							
Type	RW	RW	RW	RW	RW	RW	RW	R
Default	0	0	0	0	0	0	0	0

Register: **ExCA memory windows 0–4 page**
 Offset: CardBus Socket Address + 840h, 841h, 842h, 843h, 844h
 Type: Read/Write
 Default: 00h

6 CardBus Socket Registers (Functions 0 and 1)

The 1997 PC Card Standard requires a CardBus socket controller to provide five 32-bit registers that report and control socket-specific functions. The PCI7x21/PCI7x11 controller provides the CardBus socket/ExCA base address register (PCI offset 10h, see Section 4.12) to locate these CardBus socket registers in PCI memory address space. Each function has a separate base address register for accessing the CardBus socket registers (see Figure 6–1). Table 6–1 gives the location of the socket registers in relation to the CardBus socket/ExCA base address.

In addition to the five required registers, the PCI7x21/PCI7x11 controller implements a register at offset 20h that provides power management control for the socket.



Offsets are from the CardBus socket/ExCA base address register's base address.

Figure 6–1. Accessing CardBus Socket Registers Through PCI Memory

Table 6–1. CardBus Socket Registers

REGISTER NAME	OFFSET
Socket event †	00h
Socket mask †	04h
Socket present state †	08h
Socket force event	0Ch
Socket control †	10h
Reserved	14h–1Ch
Socket power management ‡	20h

† One or more bits in the register are PME context bits and can be cleared only by the assertion of $\overline{\text{GRST}}$ when $\overline{\text{PME}}$ is enabled. If $\overline{\text{PME}}$ is not enabled, then these bits are cleared by the assertion of $\overline{\text{PRST}}$ or $\overline{\text{GRST}}$.

‡ One or more bits in this register are cleared only by the assertion of $\overline{\text{GRST}}$.

6.1 Socket Event Register

This register indicates a change in socket status has occurred. These bits do not indicate what the change is, only that one has occurred. Software must read the socket present state register for current status. Each bit in this register can be cleared by writing a 1 to that bit. The bits in this register can be set to a 1 by software through writing a 1 to the corresponding bit in the socket force event register. All bits in this register are cleared by PCI reset. They can be immediately set again, if, when coming out of PC Card reset, the bridge finds the status unchanged (i.e., CSTSCHG reasserted or card detect is still true). Software needs to clear this register before enabling interrupts. If it is not cleared and interrupts are enabled, then an unmasked interrupt is generated based on any bit that is set. See Table 6–2 for a complete description of the register contents.

Bit	31	30	29	28	27	26	25	24	23	22	21	20	19	18	17	16
Name	Socket event															
Type	R	R	R	R	R	R	R	R	R	R	R	R	R	R	R	R
Default	0	0	0	0	0	0	0	0	0	0	0	0	0	0	0	0
Bit	15	14	13	12	11	10	9	8	7	6	5	4	3	2	1	0
Name	Socket event															
Type	R	R	R	R	R	R	R	R	R	R	R	R	RWC	RWC	RWC	RWC
Default	0	0	0	0	0	0	0	0	0	0	0	0	0	0	0	0

Register: **Socket event**
 Offset: CardBus Socket Address + 00h
 Type: Read-only, Read/Write to Clear
 Default: 0000 0000h

Table 6–2. Socket Event Register Description

BIT	SIGNAL	TYPE	FUNCTION
31–4	RSVD	R	These bits return 0s when read.
3†	PWREVENT	RWC	Power cycle. This bit is set when the PCI7x21/PCI7x11 controller detects that the PWRCYCLE bit in the socket present state register (offset 08h, see Section 6.3) has changed. This bit is cleared by writing a 1.
2†	CD2EVENT	RWC	$\overline{\text{CCD2}}$. This bit is set when the PCI7x21/PCI7x11 controller detects that the CDETECT2 field in the socket present state register (offset 08h, see Section 6.3) has changed. This bit is cleared by writing a 1.
1†	CD1EVENT	RWC	$\overline{\text{CCD1}}$. This bit is set when the PCI7x21/PCI7x11 controller detects that the CDETECT1 field in the socket present state register (offset 08h, see Section 6.3) has changed. This bit is cleared by writing a 1.
0†	CSTSEVENT	RWC	CSTSCHG. This bit is set when the CARDSTS field in the socket present state register (offset 08h, see Section 6.3) has changed state. For CardBus cards, this bit is set on the rising edge of the CSTSCHG signal. For 16-bit PC Cards, this bit is set on both transitions of the CSTSCHG signal. This bit is reset by writing a 1.

† This bit is cleared only by the assertion of $\overline{\text{GRST}}$ when $\overline{\text{PME}}$ is enabled. If $\overline{\text{PME}}$ is not enabled, then this bit is cleared by the assertion of $\overline{\text{PRST}}$ or $\overline{\text{GRST}}$.

6.2 Socket Mask Register

This register allows software to control the CardBus card events which generate a status change interrupt. The state of these mask bits does not prevent the corresponding bits from reacting in the socket event register (offset 00h, see Section 6.1). See Table 6–3 for a complete description of the register contents.

Bit	31	30	29	28	27	26	25	24	23	22	21	20	19	18	17	16
Name	Socket mask															
Type	R	R	R	R	R	R	R	R	R	R	R	R	R	R	R	R
Default	0	0	0	0	0	0	0	0	0	0	0	0	0	0	0	0
Bit	15	14	13	12	11	10	9	8	7	6	5	4	3	2	1	0
Name	Socket mask															
Type	R	R	R	R	R	R	R	R	R	R	R	R	RW	RW	RW	RW
Default	0	0	0	0	0	0	0	0	0	0	0	0	0	0	0	0

Register: **Socket mask**
 Offset: CardBus Socket Address + 04h
 Type: Read-only, Read/Write
 Default: 0000 0000h

Table 6–3. Socket Mask Register Description

BIT	SIGNAL	TYPE	FUNCTION
31–4	RSVD	R	These bits return 0s when read.
3†	PWRMASK	RW	Power cycle. This bit masks the PWRCYCLE bit in the socket present state register (offset 08h, see Section 6.3) from causing a status change interrupt. 0 = PWRCYCLE event does not cause a CSC interrupt (default). 1 = PWRCYCLE event causes a CSC interrupt.
2–1†	CDMASK	RW	Card detect mask. These bits mask the CDETECT1 and CDETECT2 bits in the socket present state register (offset 08h, see Section 6.3) from causing a CSC interrupt. 00 = Insertion/removal does not cause a CSC interrupt (default). 01 = Reserved (undefined) 10 = Reserved (undefined) 11 = Insertion/removal causes a CSC interrupt.
0†	CSTSMASK	RW	CSTSCHG mask. This bit masks the CARDSTS field in the socket present state register (offset 08h, see Section 6.3) from causing a CSC interrupt. 0 = CARDSTS event does not cause a CSC interrupt (default). 1 = CARDSTS event causes a CSC interrupt.

† This bit is cleared only by the assertion of $\overline{\text{GRST}}$ when $\overline{\text{PME}}$ is enabled. If $\overline{\text{PME}}$ is not enabled, then this bit is cleared by the assertion of PRST or GRST.

6.3 Socket Present State Register

This register reports information about the socket interface. Writes to the socket force event register (offset 0Ch, see Section 6.4), as well as general socket interface status, are reflected here. Information about PC Card V_{CC} support and card type is only updated at each insertion. Also note that the PCI7x21/PCI7x11 controller uses the CCD1 and CCD2 signals during card identification, and changes on these signals during this operation are not reflected in this register.

Bit	31	30	29	28	27	26	25	24	23	22	21	20	19	18	17	16
Name	Socket present state															
Type	R	R	R	R	R	R	R	R	R	R	R	R	R	R	R	R
Default	0	0	1	1	0	0	0	0	0	0	0	0	0	0	0	0
Bit	15	14	13	12	11	10	9	8	7	6	5	4	3	2	1	0
Name	Socket present state															
Type	R	R	R	R	R	R	R	R	R	R	R	R	R	R	R	R
Default	0	0	0	0	0	0	0	0	0	X	0	0	0	X	X	X

Register: **Socket present state**
 Offset: CardBus Socket Address + 08h
 Type: Read-only
 Default: 3000 00XXh

Table 6–4. Socket Present State Register Description

BIT	SIGNAL	TYPE	FUNCTION
31	YVSOCKET	R	YV socket. This bit indicates whether or not the socket can supply $V_{CC} = Y.Y$ V to PC Cards. The PCI7x21/PCI7x11 controller does not support Y.Y-V V_{CC} ; therefore, this bit is always reset unless overridden by the socket force event register (offset 0Ch, see Section 6.4). This bit defaults to 0.
30	XVSOCKET	R	XV socket. This bit indicates whether or not the socket can supply $V_{CC} = X.X$ V to PC Cards. The PCI7x21/PCI7x11 controller does not support X.X-V V_{CC} ; therefore, this bit is always reset unless overridden by the socket force event register (offset 0Ch, see Section 6.4). This bit defaults to 0.
29	3VSOCKET	R	3-V socket. This bit indicates whether or not the socket can supply $V_{CC} = 3.3$ Vdc to PC Cards. The PCI7x21/PCI7x11 controller does support 3.3-V V_{CC} ; therefore, this bit is always set unless overridden by the socket force event register (offset 0Ch, see Section 6.4).
28	5VSOCKET	R	5-V socket. This bit indicates whether or not the socket can supply $V_{CC} = 5$ Vdc to PC Cards. The PCI7x21/PCI7x11 controller does support 5-V V_{CC} ; therefore, this bit is always set unless overridden by bit 6 of the device control register (PCI offset 92h, see Section 4.39).
27–14	RSVD	R	These bits return 0s when read.
13 †	YVCARD	R	YV card. This bit indicates whether or not the PC Card inserted in the socket supports $V_{CC} = Y.Y$ Vdc. This bit can be set by writing a 1 to the corresponding bit in the socket force event register (offset 0Ch, see Section 6.4).
12 †	XVCARD	R	XV card. This bit indicates whether or not the PC Card inserted in the socket supports $V_{CC} = X.X$ Vdc. This bit can be set by writing a 1 to the corresponding bit in the socket force event register (offset 0Ch, see Section 6.4).
11 †	3VCARD	R	3-V card. This bit indicates whether or not the PC Card inserted in the socket supports $V_{CC} = 3.3$ Vdc. This bit can be set by writing a 1 to the corresponding bit in the socket force event register (offset 0Ch, see Section 6.4).
10 †	5VCARD	R	5-V card. This bit indicates whether or not the PC Card inserted in the socket supports $V_{CC} = 5$ Vdc. This bit can be set by writing a 1 to the corresponding bit in the socket force event register (offset 0Ch, see Section 6.4).

† One or more bits in the register are PME context bits and can be cleared only by the assertion of GRST when PME is enabled. If PME is not enabled, then these bits are cleared by the assertion of PRST or GRST.

Table 6–4. Socket Present State Register Description (Continued)

BIT	SIGNAL	TYPE	FUNCTION
9 †	BADVCCREQ	R	Bad V _{CC} request. This bit indicates that the host software has requested that the socket be powered at an invalid voltage. 0 = Normal operation (default) 1 = Invalid V _{CC} request by host software
8 †	DATALOST	R	Data lost. This bit indicates that a PC Card removal event may have caused lost data because the cycle did not terminate properly or because write data still resides in the PCI7x21/PCI7x11 controller. 0 = Normal operation (default) 1 = Potential data loss due to card removal
7 †	NOTACARD	R	Not a card. This bit indicates that an unrecognizable PC Card has been inserted in the socket. This bit is not updated until a valid PC Card is inserted into the socket. 0 = Normal operation (default) 1 = Unrecognizable PC Card detected
6	IREQCINT	R	READY(<u>IREQ</u>)/ <u>CINT</u> . This bit indicates the current status of the READY(<u>IREQ</u>)/ <u>CINT</u> signal at the PC Card interface. 0 = READY(<u>IREQ</u>)/ <u>CINT</u> is low. 1 = READY(<u>IREQ</u>)/ <u>CINT</u> is high.
5 †	CBCARD	R	CardBus card detected. This bit indicates that a CardBus PC Card is inserted in the socket. This bit is not updated until another card interrogation sequence occurs (card insertion).
4 †	16BITCARD	R	16-bit card detected. This bit indicates that a 16-bit PC Card is inserted in the socket. This bit is not updated until another card interrogation sequence occurs (card insertion).
3 †	PWRCYCLE	R	Power cycle. This bit indicates the status of each card powering request. This bit is encoded as: 0 = Socket is powered down (default). 1 = Socket is powered up.
2 †	CDETECT2	R	<u>CCD2</u> . This bit reflects the current status of the <u>CCD2</u> signal at the PC Card interface. Changes to this signal during card interrogation are not reflected here. 0 = <u>CCD2</u> is low (PC Card may be present) 1 = <u>CCD2</u> is high (PC Card not present)
1 †	CDETECT1	R	<u>CCD1</u> . This bit reflects the current status of the <u>CCD1</u> signal at the PC Card interface. Changes to this signal during card interrogation are not reflected here. 0 = <u>CCD1</u> is low (PC Card may be present). 1 = <u>CCD1</u> is high (PC Card not present).
0	CARDSTS	R	<u>CSTSCHG</u> . This bit reflects the current status of the <u>CSTSCHG</u> signal at the PC Card interface. 0 = <u>CSTSCHG</u> is low. 1 = <u>CSTSCHG</u> is high.

† One or more bits in the register are PME context bits and can be cleared only by the assertion of GRST when PME is enabled. If PME is not enabled, then these bits are cleared by the assertion of PRST or GRST.

6.4 Socket Force Event Register

This register is used to force changes to the socket event register (offset 00h, see Section 6.1) and the socket present state register (offset 08h, see Section 6.3). The CVSTEST bit (bit 14) in this register must be written when forcing changes that require card interrogation. See Table 6–5 for a complete description of the register contents.

Bit	31	30	29	28	27	26	25	24	23	22	21	20	19	18	17	16
Name	Socket force event															
Type	R	R	R	R	R	R	R	R	R	R	R	R	R	R	R	R
Default	0	0	0	0	0	0	0	0	0	0	0	0	0	0	0	0
Bit	15	14	13	12	11	10	9	8	7	6	5	4	3	2	1	0
Name	Socket force event															
Type	R	W	W	W	W	W	W	W	W	R	W	W	W	W	W	W
Default	X	X	X	X	X	X	X	X	X	X	X	X	X	X	X	X

Register: **Socket force event**
 Offset: CardBus Socket Address + 0Ch
 Type: Read-only, Write-only
 Default: 0000 XXXXh

Table 6–5. Socket Force Event Register Description

BIT	SIGNAL	TYPE	FUNCTION
31–15	RSVD	R	Reserved. These bits return 0s when read.
14	CVSTEST	W	Card VS test. When this bit is set, the PCI7x21/PCI7x11 controller reinterrogates the PC Card, updates the socket present state register (offset 08h, see Section 6.3), and re-enables the socket power control.
13	FYVCARD	W	Force YV card. Writes to this bit cause the YVCARD bit in the socket present state register (offset 08h, see Section 6.3) to be written. When set, this bit disables the socket power control.
12	FXVCARD	W	Force XV card. Writes to this bit cause the XVCARD bit in the socket present state register (offset 08h, see Section 6.3) to be written. When set, this bit disables the socket power control.
11	F3VCARD	W	Force 3-V card. Writes to this bit cause the 3VCARD bit in the socket present state register (offset 08h, see Section 6.3) to be written. When set, this bit disables the socket power control.
10	F5VCARD	W	Force 5-V card. Writes to this bit cause the 5VCARD bit in the socket present state register (offset 08h, see Section 6.3) to be written. When set, this bit disables the socket power control.
9	FBADVCCREQ	W	Force BadVccReq. Changes to the BADVCCREQ bit in the socket present state register (offset 08h, see Section 6.3) can be made by writing this bit.
8	FDATALOST	W	Force data lost. Writes to this bit cause the DATALOST bit in the socket present state register (offset 08h, see Section 6.3) to be written.
7	FNOTACARD	W	Force not a card. Writes to this bit cause the NOTACARD bit in the socket present state register (offset 08h, see Section 6.3) to be written.
6	RSVD	R	This bit returns 0 when read.
5	FCBCARD	W	Force CardBus card. Writes to this bit cause the CBCARD bit in the socket present state register (offset 08h, see Section 6.3) to be written.
4	F16BITCARD	W	Force 16-bit card. Writes to this bit cause the 16BITCARD bit in the socket present state register (offset 08h, see Section 6.3) to be written.
3	FPWRCYCLE	W	Force power cycle. Writes to this bit cause the PWREVENT bit in the socket event register (offset 00h, see Section 6.1) to be written, and the PWRCYCLE bit in the socket present state register (offset 08h, see Section 6.3) is unaffected.
2	FCDETECT2	W	Force <u>CCD2</u> . Writes to this bit cause the CD2EVENT bit in the socket event register (offset 00h, see Section 6.1) to be written, and the CDETECT2 bit in the socket present state register (offset 08h, see Section 6.3) is unaffected.
1	FCDETECT1	W	Force <u>CCD1</u> . Writes to this bit cause the CD1EVENT bit in the socket event register (offset 00h, see Section 6.1) to be written, and the CDETECT1 bit in the socket present state register (offset 08h, see Section 6.3) is unaffected.
0	FCARDSTS	W	Force CSTSCHG. Writes to this bit cause the CSTSEVENT bit in the socket event register (offset 00h, see Section 6.1) to be written. The CARDSTS bit in the socket present state register (offset 08h, see Section 6.3) is unaffected.

6.5 Socket Control Register

This register provides control of the voltages applied to the socket V_{PP} and V_{CC} . The PCI7x21/PCI7x11 controller ensures that the socket is powered up only at acceptable voltages when a CardBus card is inserted. See Table 6–6 for a complete description of the register contents.

Bit	31	30	29	28	27	26	25	24	23	22	21	20	19	18	17	16
Name	Socket control															
Type	R	R	R	R	R	R	R	R	R	R	R	R	R	R	R	R
Default	0	0	0	0	0	0	0	0	0	0	0	0	0	0	0	0
Bit	15	14	13	12	11	10	9	8	7	6	5	4	3	2	1	0
Name	Socket control															
Type	R	R	R	R	R	R	RW	R	RW	RW	RW	RW	R	RW	RW	RW
Default	0	0	0	0	0	1	0	0	0	0	0	0	0	0	0	0

Register: **Socket control**
 Offset: CardBus Socket Address + 10h
 Type: Read-only, Read/Write
 Default: 0000 0400h

Table 6–6. Socket Control Register Description

BIT	SIGNAL	TYPE	FUNCTION
31–11	RSVD	R	These bits return 0s when read.
10	RSVD	R	This bit returns 1 when read.
9–8	RSVD	R	These bits return 0s when read.
7	STOPCLK	RW	This bit controls how the CardBus clock run state machine decides when to stop the CardBus clock to the CardBus card: 0 = The CardBus $\overline{\text{CLKRUN}}$ protocol can only attempt to stop/slow the CardBus clock if the socket has been idle for 8 clocks and the PCI $\overline{\text{CLKRUN}}$ protocol is preparing to stop/slow the PCI bus clock. 1 = The CardBus $\overline{\text{CLKRUN}}$ protocol can only attempt to stop/slow the CardBus clock if the socket has been idle for 8 clocks, regardless of the state of the PCI $\overline{\text{CLKRUN}}$ signal.
6–4 †	VCCCTRL	RW	V_{CC} control. These bits are used to request card V_{CC} changes. 000 = Request power off (default) 100 = Request $V_{CC} = X.X$ V 001 = Reserved 101 = Request $V_{CC} = Y.Y$ V 010 = Request $V_{CC} = 5$ V 110 = Reserved 011 = Request $V_{CC} = 3.3$ V 111 = Reserved
3	RSVD	R	This bit returns 0 when read.
2–0 †	VPPCTRL	RW	V_{PP} control. These bits are used to request card V_{PP} changes. 000 = Request power off (default) 100 = Request $V_{PP} = X.X$ V 001 = Request $V_{PP} = 12$ V 101 = Request $V_{PP} = Y.Y$ V 010 = Request $V_{PP} = 5$ V 110 = Reserved 011 = Request $V_{PP} = 3.3$ V 111 = Reserved

† One or more bits in the register are PME context bits and can be cleared only by the assertion of $\overline{\text{GRST}}$ when $\overline{\text{PME}}$ is enabled. If $\overline{\text{PME}}$ is not enabled, then this bit is cleared by the assertion of $\overline{\text{PRST}}$ or $\overline{\text{GRST}}$.

6.6 Socket Power Management Register

This register provides power management control over the socket through a mechanism for slowing or stopping the clock on the card interface when the card is idle. See Table 6–7 for a complete description of the register contents.

Bit	31	30	29	28	27	26	25	24	23	22	21	20	19	18	17	16
Name	Socket power management															
Type	R	R	R	R	R	R	R	R	R	R	R	R	R	R	R	RW
Default	0	0	0	0	0	0	0	0	0	0	0	0	0	0	0	0
Bit	15	14	13	12	11	10	9	8	7	6	5	4	3	2	1	0
Name	Socket power management															
Type	R	R	R	R	R	R	R	R	R	R	R	R	R	R	R	RW
Default	0	0	0	0	0	0	0	0	0	0	0	0	0	0	0	0

Register: **Socket power management**
 Offset: CardBus Socket Address + 20h
 Type: Read-only, Read/Write
 Default: 0000 0000h

Table 6–7. Socket Power Management Register Description

BIT	SIGNAL	TYPE	FUNCTION
31–26	RSVD	R	Reserved. These bits return 0s when read.
25 ‡	SKTACCES	R	Socket access status. This bit provides information on whether a socket access has occurred. This bit is cleared by a read access. 0 = No PC Card access has occurred (default). 1 = PC Card has been accessed.
24 ‡	SKTMODE	R	Socket mode status. This bit provides clock mode information. 0 = Normal clock operation 1 = Clock frequency has changed.
23–17	RSVD	R	These bits return 0s when read.
16	CLKCTRLLEN	RW	CardBus clock control enable. This bit, when set, enables clock control according to bit 0 (CLKCTRL). 0 = Clock control disabled (default) 1 = Clock control enabled
15–1	RSVD	R	These bits return 0s when read.
0	CLKCTRL	RW	CardBus clock control. This bit determines whether the CardBus <u>CLKRUN</u> protocol attempts to stop or slow the CardBus clock during idle states. The CLKCTRLLEN bit enables this bit. 0 = Allows the CardBus <u>CLKRUN</u> protocol to attempt to stop the CardBus clock (default) 1 = Allows the CardBus <u>CLKRUN</u> protocol to attempt to slow the CardBus clock by a factor of 16

‡ This bit is cleared only by the assertion of GRST.

7 OHCI Controller Programming Model

This section describes the internal PCI configuration registers used to program the PCI7x21/PCI7x11 1394 open host controller interface. All registers are detailed in the same format: a brief description for each register is followed by the register offset and a bit table describing the reset state for each register.

A bit description table, typically included when the register contains bits of more than one type or purpose, indicates bit field names, a detailed field description, and field access tags which appear in the *type* column. Table 4–1 describes the field access tags.

The PCI7x21/PCI7x11 controller is a multifunction PCI device. The 1394 OHCI is integrated as PCI function 2. The function 2 configuration header is compliant with the *PCI Local Bus Specification* as a standard header. Table 7–1 illustrates the configuration header that includes both the predefined portion of the configuration space and the user-definable registers.

Table 7–1. Function 2 Configuration Register Map

REGISTER NAME				OFFSET
Device ID		Vendor ID		00h
Status		Command		04h
Class code			Revision ID	08h
BIST	Header type	Latency timer	Cache line size	0Ch
OHCI base address				10h
TI extension base address				14h
CardBus CIS base address				18h
Reserved				1Ch–27h
CardBus CIS pointer ‡				28h
Subsystem ID ‡		Subsystem vendor ID ‡		2Ch
Reserved				30h
Reserved			PCI power management capabilities pointer	34h
Reserved				38h
Maximum latency ‡	Minimum grant ‡	Interrupt pin	Interrupt line	3Ch
PCI OHCI control				40h
Power management capabilities		Next item pointer	Capability ID	44h
PM data	PMCSR_BSE	Power management control and status ‡		48h
Reserved				4Ch–EBh
PCI PHY control ‡				ECh
PCI miscellaneous configuration ‡				F0h
Link enhancement control ‡				F4h
Subsystem access ‡				F8h
GPIO control				FCh

‡ One or more bits in this register are cleared only by the assertion of $\overline{\text{GRST}}$.

7.1 Vendor ID Register

The vendor ID register contains a value allocated by the PCI SIG and identifies the manufacturer of the PCI device. The vendor ID assigned to Texas Instruments is 104Ch.

Bit	15	14	13	12	11	10	9	8	7	6	5	4	3	2	1	0
Name	Vendor ID															
Type	R	R	R	R	R	R	R	R	R	R	R	R	R	R	R	R
Default	0	0	0	1	0	0	0	0	0	1	0	0	1	1	0	0

Register: **Vendor ID**
 Offset: 00h
 Type: Read-only
 Default: 104Ch

7.2 Device ID Register

The device ID register contains a value assigned to the PCI7x21/PCI7x11 controller by Texas Instruments. The device identification for the PCI7x21/PCI7x11 controller is 8032h.

Bit	15	14	13	12	11	10	9	8	7	6	5	4	3	2	1	0
Name	Device ID															
Type	R	R	R	R	R	R	R	R	R	R	R	R	R	R	R	R
Default	1	0	0	0	0	0	0	0	0	0	1	1	0	0	1	0

Register: **Device ID**
 Offset: 02h
 Type: Read-only
 Default: 8032h

7.3 Command Register

The command register provides control over the PCI7x21/PCI7x11 interface to the PCI bus. All bit functions adhere to the definitions in the *PCI Local Bus Specification*, as seen in the following bit descriptions. See Table 7–2 for a complete description of the register contents.

Bit	15	14	13	12	11	10	9	8	7	6	5	4	3	2	1	0
Name	Command															
Type	R	R	R	R	R	RW	R	RW	R	RW	R	RW	R	RW	RW	R
Default	0	0	0	0	0	0	0	0	0	0	0	0	0	0	0	0

Register: **Command**
 Offset: 04h
 Type: Read/Write, Read-only
 Default: 0000h

Table 7–2. Command Register Description

BIT	FIELD NAME	TYPE	DESCRIPTION
15–11	RSVD	R	Reserved. Bits 15–11 return 0s when read.
10	INT_DISABLE	RW	$\overline{\text{INTx}}$ disable. When set to 1, this bit disables the function from asserting interrupts on the $\overline{\text{INTx}}$ signals. 0 = $\overline{\text{INTx}}$ assertion is enabled (default) 1 = $\overline{\text{INTx}}$ assertion is disabled
9	FBB_ENB	R	Fast back-to-back enable. The PCI7x21/PCI7x11 controller does not generate fast back-to-back transactions; therefore, bit 9 returns 0 when read.
8	SERR_ENB	RW	$\overline{\text{SERR}}$ enable. When bit 8 is set to 1, the PCI7x21/PCI7x11 $\overline{\text{SERR}}$ driver is enabled. $\overline{\text{SERR}}$ can be asserted after detecting an address parity error on the PCI bus. The default value for this bit is 0.
7	RSVD	R	Reserved. Bit 7 returns 0 when read.
6	PERR_ENB	RW	Parity error enable. When bit 6 is set to 1, the PCI7x21/PCI7x11 controller is enabled to drive $\overline{\text{PERR}}$ response to parity errors through the $\overline{\text{PERR}}$ signal. The default value for this bit is 0.
5	VGA_ENB	R	VGA palette snoop enable. The PCI7x21/PCI7x11 controller does not feature VGA palette snooping; therefore, bit 5 returns 0 when read.
4	MWI_ENB	RW	Memory write and invalidate enable. When bit 4 is set to 1, the PCI7x21/PCI7x11 controller is enabled to generate MWI PCI bus commands. If this bit is cleared, then the PCI7x21/PCI7x11 controller generates memory write commands instead. The default value for this bit is 0.
3	SPECIAL	R	Special cycle enable. The PCI7x21/PCI7x11 function does not respond to special cycle transactions; therefore, bit 3 returns 0 when read.
2	MASTER_ENB	RW	Bus master enable. When bit 2 is set to 1, the PCI7x21/PCI7x11 controller is enabled to initiate cycles on the PCI bus. The default value for this bit is 0.
1	MEMORY_ENB	RW	Memory response enable. Setting bit 1 to 1 enables the PCI7x21/PCI7x11 controller to respond to memory cycles on the PCI bus. This bit must be set to access OHCI registers. The default value for this bit is 0.
0	IO_ENB	R	I/O space enable. The PCI7x21/PCI7x11 controller does not implement any I/O-mapped functionality; therefore, bit 0 returns 0 when read.

7.4 Status Register

The status register provides status over the PCI7x21/PCI7x11 interface to the PCI bus. All bit functions adhere to the definitions in the *PCI Local Bus Specification*, as seen in the following bit descriptions. See Table 7–3 for a complete description of the register contents.

Bit	15	14	13	12	11	10	9	8	7	6	5	4	3	2	1	0
Name	Status															
Type	RCU	RCU	RCU	RCU	RCU	R	R	RCU	R	R	R	R	RU	R	R	R
Default	0	0	0	0	0	0	1	0	0	0	0	1	0	0	0	0

Register: **Status**
 Offset: 06h
 Type: Read/Clear/Update, Read-only
 Default: 0210h

Table 7–3. Status Register Description

BITS	FIELD NAME	TYPE	DESCRIPTION
15	PAR_ERR	RCU	Detected parity error. Bit 15 is set to 1 when either an address parity or data parity error is detected.
14	SYS_ERR	RCU	Signaled system error. Bit 14 is set to 1 when <u>SERR</u> is enabled and the PCI7x21/PCI7x11 controller has signaled a system error to the host.
13	MABORT	RCU	Received master abort. Bit 13 is set to 1 when a cycle initiated by the PCI7x21/PCI7x11 controller on the PCI bus has been terminated by a master abort.
12	TABORT_REC	RCU	Received target abort. Bit 12 is set to 1 when a cycle initiated by the PCI7x21/PCI7x11 controller on the PCI bus was terminated by a target abort.
11	TABORT_SIG	RCU	Signaled target abort. Bit 11 is set to 1 by the PCI7x21/PCI7x11 controller when it terminates a transaction on the PCI bus with a target abort.
10–9	PCI_SPEED	R	DEVSEL timing. Bits 10 and 9 encode the timing of <u>DEVSEL</u> and are hardwired to 01b, indicating that the PCI7x21/PCI7x11 controller asserts this signal at a medium speed on nonconfiguration cycle accesses.
8	DATAPAR	RCU	Data parity error detected. Bit 8 is set to 1 when the following conditions have been met: a. <u>PERR</u> was asserted by any PCI device including the PCI7x21/PCI7x11 controller. b. The PCI7x21/PCI7x11 controller was the bus master during the data parity error. c. Bit 6 (<u>PERR_EN</u>) in the command register at offset 04h in the PCI configuration space (see Section 7.3) is set to 1.
7	FBB_CAP	R	Fast back-to-back capable. The PCI7x21/PCI7x11 controller cannot accept fast back-to-back transactions; therefore, bit 7 is hardwired to 0.
6	UDF	R	User-definable features (UDF) supported. The PCI7x21/PCI7x11 controller does not support the UDF; therefore, bit 6 is hardwired to 0.
5	66MHZ	R	66-MHz capable. The PCI7x21/PCI7x11 controller operates at a maximum PCLK frequency of 33 MHz; therefore, bit 5 is hardwired to 0.
4	CAPLIST	R	Capabilities list. Bit 4 returns 1 when read, indicating that capabilities additional to standard PCI are implemented. The linked list of PCI power-management capabilities is implemented in this function.
3	INT_STATUS	RU	Interrupt status. This bit reflects the interrupt status of the function. Only when bit 10 (<u>INT_DISABLE</u>) in the command register (see Section 7.3) is a 0 and this bit is 1, is the function's <u>INTx</u> signal asserted. Setting the <u>INT_DISABLE</u> bit to 1 has no effect on the state of this bit.
2–0	RSVD	R	Reserved. Bits 3–0 return 0s when read.

7.5 Class Code and Revision ID Register

The class code and revision ID register categorizes the PCI7x21/PCI7x11 controller as a serial bus controller (0Ch), controlling an IEEE 1394 bus (00h), with an OHCI programming model (10h). Furthermore, the TI chip revision is indicated in the least significant byte. See Table 7–4 for a complete description of the register contents.

Bit	31	30	29	28	27	26	25	24	23	22	21	20	19	18	17	16
Name	Class code and revision ID															
Type	R	R	R	R	R	R	R	R	R	R	R	R	R	R	R	R
Default	0	0	0	0	1	1	0	0	0	0	0	0	0	0	0	0
Bit	15	14	13	12	11	10	9	8	7	6	5	4	3	2	1	0
Name	Class code and revision ID															
Type	R	R	R	R	R	R	R	R	R	R	R	R	R	R	R	R
Default	0	0	0	1	0	0	0	0	0	0	0	0	0	0	0	0

Register: **Class code and revision ID**

Offset: 08h

Type: Read-only

Default: 0C00 1000h

Table 7–4. Class Code and Revision ID Register Description

BIT	FIELD NAME	TYPE	DESCRIPTION
31–24	BASECLASS	R	Base class. This field returns 0Ch when read, which broadly classifies the function as a serial bus controller.
23–16	SUBCLASS	R	Subclass. This field returns 00h when read, which specifically classifies the function as controlling an IEEE 1394 serial bus.
15–8	PGMIF	R	Programming interface. This field returns 10h when read, which indicates that the programming model is compliant with the <i>1394 Open Host Controller Interface Specification</i> .
7–0	CHIPREV	R	Silicon revision. This field returns 00h when read, which indicates the silicon revision of the PCI7x21/PCI7x11 controller.

7.6 Latency Timer and Class Cache Line Size Register

The latency timer and class cache line size register is programmed by host BIOS to indicate system cache line size and the latency timer associated with the PCI7x21/PCI7x11 controller. See Table 7–5 for a complete description of the register contents.

Bit	15	14	13	12	11	10	9	8	7	6	5	4	3	2	1	0
Name	Latency timer and class cache line size															
Type	RW	RW	RW	RW	RW	RW	RW	RW	RW	RW	RW	RW	RW	RW	RW	RW
Default	0	0	0	0	0	0	0	0	0	0	0	0	0	0	0	0

Register: **Latency timer and class cache line size**

Offset: 0Ch

Type: Read/Write

Default: 0000h

Table 7–5. Latency Timer and Class Cache Line Size Register Description

BIT	FIELD NAME	TYPE	DESCRIPTION
15–8	LATENCY_TIMER	RW	PCI latency timer. The value in this register specifies the latency timer for the PCI7x21/PCI7x11 controller, in units of PCI clock cycles. When the PCI7x21/PCI7x11 controller is a PCI bus initiator and asserts FRAME, the latency timer begins counting from zero. If the latency timer expires before the PCI7x21/PCI7x11 transaction has terminated, then the PCI7x21/PCI7x11 controller terminates the transaction when its GNT is deasserted. The default value for this field is 00h.
7–0	CACHELINE_SZ	RW	Cache line size. This value is used by the PCI7x21/PCI7x11 controller during memory write and invalidate, memory-read line, and memory-read multiple transactions. The default value for this field is 00h.

7.7 Header Type and BIST Register

The header type and built-in self-test (BIST) register indicates the PCI7x21/PCI7x11 PCI header type and no built-in self-test. See Table 7–6 for a complete description of the register contents.

Bit	15	14	13	12	11	10	9	8	7	6	5	4	3	2	1	0
Name	Header type and BIST															
Type	R	R	R	R	R	R	R	R	R	R	R	R	R	R	R	R
Default	0	0	0	0	0	0	0	0	1	0	0	0	0	0	0	0

Register: **Header type and BIST**
 Offset: 0Eh
 Type: Read-only
 Default: 0080h

Table 7–6. Header Type and BIST Register Description

BIT	FIELD NAME	TYPE	DESCRIPTION
15–8	BIST	R	Built-in self-test. The PCI7x21/PCI7x11 controller does not include a BIST; therefore, this field returns 00h when read.
7–0	HEADER_TYPE	R	PCI header type. The PCI7x21/PCI7x11 controller includes the standard PCI header, which is communicated by returning 80h when this field is read.

7.8 OHCI Base Address Register

The OHCI base address register is programmed with a base address referencing the memory-mapped OHCI control. When BIOS writes all 1s to this register, the value read back is FFFF F800h, indicating that at least 2K bytes of memory address space are required for the OHCI registers. See Table 7–7 for a complete description of the register contents.

Bit	31	30	29	28	27	26	25	24	23	22	21	20	19	18	17	16
Name	OHCI base address															
Type	RW	RW	RW	RW	RW	RW	RW	RW	RW	RW	RW	RW	RW	RW	RW	RW
Default	0	0	0	0	0	0	0	0	0	0	0	0	0	0	0	0

Bit	15	14	13	12	11	10	9	8	7	6	5	4	3	2	1	0
Name	OHCI base address															
Type	RW	RW	RW	RW	RW	R	R	R	R	R	R	R	R	R	R	R
Default	0	0	0	0	0	0	0	0	0	0	0	0	0	0	0	0

Register: **OHCI base address**
 Offset: 10h
 Type: Read/Write, Read-only
 Default: 0000 0000h

Table 7–7. OHCI Base Address Register Description

BIT	FIELD NAME	TYPE	DESCRIPTION
31–11	OHCIREG_PTR	RW	OHCI register pointer. This field specifies the upper 21 bits of the 32-bit OHCI base address register. The default value for this field is all 0s.
10–4	OHCI_SZ	R	OHCI register size. This field returns 0s when read, indicating that the OHCI registers require a 2K-byte region of memory.
3	OHCI_PF	R	OHCI register prefetch. Bit 3 returns 0 when read, indicating that the OHCI registers are nonprefetchable.
2–1	OHCI_MEMTYPE	R	OHCI memory type. This field returns 0s when read, indicating that the OHCI base address register is 32 bits wide and mapping can be done anywhere in the 32-bit memory space.
0	OHCI_MEM	R	OHCI memory indicator. Bit 0 returns 0 when read, indicating that the OHCI registers are mapped into system memory space.

7.9 TI Extension Base Address Register

The TI extension base address register is programmed with a base address referencing the memory-mapped TI extension registers. When BIOS writes all 1s to this register, the value read back is FFFF C000h, indicating that at least 16K bytes of memory address space are required for the TI registers. See Table 7–8 for a complete description of the register contents.

Bit	31	30	29	28	27	26	25	24	23	22	21	20	19	18	17	16
Name	TI extension base address															
Type	RW	RW	RW	RW	RW	RW	RW	RW	RW	RW	RW	RW	RW	RW	RW	RW
Default	0	0	0	0	0	0	0	0	0	0	0	0	0	0	0	0
Bit	15	14	13	12	11	10	9	8	7	6	5	4	3	2	1	0
Name	TI extension base address															
Type	RW	RW	R	R	R	R	R	R	R	R	R	R	R	R	R	R
Default	0	0	0	0	0	0	0	0	0	0	0	0	0	0	0	0

Register: **TI extension base address**
 Offset: 14h
 Type: Read/Write, Read-only
 Default: 0000 0000h

Table 7–8. TI Base Address Register Description

BIT	FIELD NAME	TYPE	DESCRIPTION
31–14	TIREG_PTR	RW	TI register pointer. This field specifies the upper 18 bits of the 32-bit TI base address register. The default value for this field is all 0s.
13–4	TI_SZ	R	TI register size. This field returns 0s when read, indicating that the TI registers require a 16K-byte region of memory.
3	TI_PF	R	TI register prefetch. Bit 3 returns 0 when read, indicating that the TI registers are nonprefetchable.
2–1	TI_MEMTYPE	R	TI memory type. This field returns 0s when read, indicating that the TI base address register is 32 bits wide and mapping can be done anywhere in the 32-bit memory space.
0	TI_MEM	R	TI memory indicator. Bit 0 returns 0 when read, indicating that the TI registers are mapped into system memory space.

7.10 CardBus CIS Base Address Register

The internal $\overline{\text{CARDBUS}}$ input to the 1394 OHCI core is tied high such that this register returns 0s when read. See Table 7–9 for a complete description of the register contents.

Bit	31	30	29	28	27	26	25	24	23	22	21	20	19	18	17	16
Name	CardBus CIS base address															
Type	RW	RW	RW	RW	RW	RW	RW	RW	RW	RW	RW	RW	RW	RW	RW	RW
Default	0	0	0	0	0	0	0	0	0	0	0	0	0	0	0	0
Bit	15	14	13	12	11	10	9	8	7	6	5	4	3	2	1	0
Name	CardBus CIS base address															
Type	RW	RW	RW	RW	RW	R	R	R	R	R	R	R	R	R	R	R
Default	0	0	0	0	0	0	0	0	0	0	0	0	0	0	0	0

Register: **CardBus CIS base address**
 Offset: 18h
 Type: Read/Write, Read-only
 Default: 0000 0000h

Table 7–9. CardBus CIS Base Address Register Description

BIT	FIELD NAME	TYPE	DESCRIPTION
31–11	CIS_BASE	RW	CIS base address. This field specifies the upper 21 bits of the 32-bit CIS base address. If $\overline{\text{CARDBUS}}$ is sampled high on a $\overline{\text{GRST}}$, then this field is read-only, returning 0s when read.
10–4	CIS_SZ	R	CIS address space size. This field returns 0s when read, indicating that the CIS space requires a 2K-byte region of memory.
3	CIS_PF	R	CIS prefetch. Bit 3 returns 0 when read, indicating that the CIS is nonprefetchable. Furthermore, the CIS is a byte-accessible address space, and either a doubleword or 16-bit word access yields indeterminate results.
2–1	CIS_MEMTYPE	R	CIS memory type. This field returns 0s when read, indicating that the CardBus CIS base address register is 32 bits wide and mapping can be done anywhere in the 32-bit memory space.
0	CIS_MEM	R	CIS memory indicator. Bit 0 returns 0 when read, indicating that the CIS is mapped into system memory space.

7.11 CardBus CIS Pointer Register

The internal $\overline{\text{CARDBUS}}$ input to the 1394 OHCI core is tied high such that this register returns 0s when read.

Bit	31	30	29	28	27	26	25	24	23	22	21	20	19	18	17	16
Name	CardBus CIS pointer															
Type	R	R	R	R	R	R	R	R	R	R	R	R	R	R	R	R
Default	0	0	0	0	0	0	0	0	0	0	0	0	0	0	0	0
Bit	15	14	13	12	11	10	9	8	7	6	5	4	3	2	1	0
Name	CardBus CIS pointer															
Type	R	R	R	R	R	R	R	R	R	R	R	R	R	R	R	R
Default	0	0	0	0	0	0	0	0	0	0	0	0	0	0	0	0

Register: **CardBus CIS pointer**
 Offset: 28h
 Type: Read-only
 Default: 0000 0000h

7.12 Subsystem Identification Register

The subsystem identification register is used for system and option card identification purposes. This register can be initialized from the serial EEPROM or programmed via the subsystem access register at offset F8h in the PCI configuration space (see Section 7.25). See Table 7–10 for a complete description of the register contents.

Bit	31	30	29	28	27	26	25	24	23	22	21	20	19	18	17	16
Name	Subsystem identification															
Type	RU	RU	RU	RU	RU	RU	RU	RU	RU	RU	RU	RU	RU	RU	RU	RU
Default	0	0	0	0	0	0	0	0	0	0	0	0	0	0	0	0
Bit	15	14	13	12	11	10	9	8	7	6	5	4	3	2	1	0
Name	Subsystem identification															
Type	RU	RU	RU	RU	RU	RU	RU	RU	RU	RU	RU	RU	RU	RU	RU	RU
Default	0	0	0	0	0	0	0	0	0	0	0	0	0	0	0	0

Register: **Subsystem identification**
 Offset: 2Ch
 Type: Read/Update
 Default: 0000 0000h

Table 7–10. Subsystem Identification Register Description

BIT	FIELD NAME	TYPE	DESCRIPTION
31–16 ‡	OHCI_SSID	RU	Subsystem device ID. This field indicates the subsystem device ID.
15–0 ‡	OHCI_SSVID	RU	Subsystem vendor ID. This field indicates the subsystem vendor ID.

‡ These bits are cleared only by the assertion of GRST.

7.13 Power Management Capabilities Pointer Register

The power management capabilities pointer register provides a pointer into the PCI configuration header where the power-management register block resides. The PCI7x21/PCI7x11 configuration header doublewords at offsets 44h and 48h provide the power-management registers. This register is read-only and returns 44h when read.

Bit	7	6	5	4	3	2	1	0
Name	Power management capabilities pointer							
Type	R	R	R	R	R	R	R	R
Default	0	1	0	0	0	1	0	0

Register: **Power management capabilities pointer**
 Offset: 34h
 Type: Read-only
 Default: 44h

7.14 Interrupt Line Register

The interrupt line register communicates interrupt line routing information. See Table 7–11 for a complete description of the register contents.

Bit	7	6	5	4	3	2	1	0
Name	Interrupt line							
Type	RW	RW	RW	RW	RW	RW	RW	RW
Default	1	1	1	1	1	1	1	1

Register: **Interrupt line**
 Offset: 3Ch
 Type: Read/Write
 Default: FFh

Table 7–11. Interrupt Line Register Description

BIT	FIELD NAME	TYPE	DESCRIPTION
7–0	INTR_LINE	RW	Interrupt line. This field is programmed by the system and indicates to software which interrupt line the PCI7x21/PCI7x11 PCI_INTA is connected to. The default value for this field is 00h.

7.15 Interrupt Pin Register

The value read from this register is function dependent and depends on the values of bits 28, the tie-all bit (TIEALL), and 29, the interrupt tie bit (INTRTIE), in the system control register (PCI offset 80h, see Section 4.29). The INTRTIE bit is compatible with previous TI CardBus controllers, and when set to 1, ties INTB to INTA internally. The TIEALL bit ties INTA, INTB, INTC, and INTD together internally. The internal interrupt connections set by INTRTIE and TIEALL are communicated to host software through this standard register interface. This read-only register is described for all PCI7x21/PCI7x11 functions in Table 7–12.

Bit	7	6	5	4	3	2	1	0
Name	Interrupt pin							
Type	R	R	R	R	R	R	R	R
Default	0	0	0	0	0	0	1	0

Register: **Interrupt pin**
 Offset: 3Dh
 Type: Read-only
 Default: 02h

Table 7–12. PCI Interrupt Pin Register—Read-Only INTPIN Per Function

INTRTIE BIT (BIT 29, OFFSET 80h)	TIEALL BIT (BIT 28, OFFSET 80h)	INTPIN FUNCTION 0 (CARDBUS)	INTPIN FUNCTION 1 (CARDBUS)	INTPIN FUNCTION 2 (1394 OHCI)	INTPIN FUNCTION 3 (FLASH MEDIA)	INTPIN FUNCTION 4 (SD HOST)	INTPIN FUNCTION 5 (SMART CARD)
0	0	01h ($\overline{\text{INTA}}$)	02h ($\overline{\text{INTB}}$)	03h ($\overline{\text{INTC}}$)	Determined by bits 6–5 (INT_SEL) in the flash media general control register (see Section 11.21)	Determined by bits (INT_SEL) in the SD host general control register (see Section 12.22)	Determined by bits (INT_SEL) in the Smart Card general control register (see Section 13.22)
1	0	01h ($\overline{\text{INTA}}$)	01h ($\overline{\text{INTA}}$)	03h ($\overline{\text{INTC}}$)			
X	1	01h ($\overline{\text{INTA}}$)	01h ($\overline{\text{INTA}}$)	01h ($\overline{\text{INTA}}$)	01h ($\overline{\text{INTA}}$)	01h ($\overline{\text{INTA}}$)	01h ($\overline{\text{INTA}}$)

NOTE: When configuring the PCI7x21/PCI7x11 functions to share PCI interrupts, multifunction terminal MFUNC3 must be configured as IRQSER prior to setting the INTRTIE bit.

7.16 Minimum Grant and Maximum Latency Register

The minimum grant and maximum latency register communicates to the system the desired setting of bits 15–8 in the latency timer and class cache line size register at offset 0Ch in the PCI configuration space (see Section 7.6). If a serial EEPROM is detected, then the contents of this register are loaded through the serial EEPROM interface after a $\overline{\text{GRST}}$. If no serial EEPROM is detected, then this register returns a default value that corresponds to the $\text{MAX_LAT} = 4$, $\text{MIN_GNT} = 2$. See Table 7–13 for a complete description of the register contents.

Bit	15	14	13	12	11	10	9	8	7	6	5	4	3	2	1	0
Name	Minimum grant and maximum latency															
Type	RU	RU	RU	RU	RU	RU	RU	RU	RU	RU	RU	RU	RU	RU	RU	RU
Default	0	0	0	0	0	1	0	0	0	0	0	0	0	0	1	0

Register: **Minimum grant and maximum latency**
 Offset: 3Eh
 Type: Read/Update
 Default: 0402h

Table 7–13. Minimum Grant and Maximum Latency Register Description

BIT	FIELD NAME	TYPE	DESCRIPTION
15–8 ‡	MAX_LAT	RU	Maximum latency. The contents of this field may be used by host BIOS to assign an arbitration priority level to the PCI7x21/PCI7x11 controller. The default for this register indicates that the PCI7x21/PCI7x11 controller may need to access the PCI bus as often as every 0.25 μs ; thus, an extremely high priority level is requested. Bits 11–8 of this field may also be loaded through the serial EEPROM.
7–0 ‡	MIN_GNT	RU	Minimum grant. The contents of this field may be used by host BIOS to assign a latency timer register value to the PCI7x21/PCI7x11 controller. The default for this register indicates that the PCI7x21/PCI7x11 controller may need to sustain burst transfers for nearly 64 μs and thus request a large value be programmed in bits 15–8 of the PCI7x21/PCI7x11 latency timer and class cache line size register at offset 0Ch in the PCI configuration space (see Section 7.6). Bits 3–0 of this field may also be loaded through the serial EEPROM.

‡ These bits are cleared only by the assertion of $\overline{\text{GRST}}$.

7.17 OHCI Control Register

The PCI OHCI control register is defined by the *1394 Open Host Controller Interface Specification* and provides a bit for big endian PCI support. See Table 7–14 for a complete description of the register contents.

Bit	31	30	29	28	27	26	25	24	23	22	21	20	19	18	17	16
Name	OHCI control															
Type	R	R	R	R	R	R	R	R	R	R	R	R	R	R	R	R
Default	0	0	0	0	0	0	0	0	0	0	0	0	0	0	0	0
Bit	15	14	13	12	11	10	9	8	7	6	5	4	3	2	1	0
Name	OHCI control															
Type	R	R	R	R	R	R	R	R	R	R	R	R	R	R	R	RW
Default	0	0	0	0	0	0	0	0	0	0	0	0	0	0	0	0

Register: **OHCI control**
 Offset: 40h
 Type: Read/Write, Read-only
 Default: 0000 0000h

Table 7–14. OHCI Control Register Description

BIT	FIELD NAME	TYPE	DESCRIPTION
31–1	RSVD	R	Reserved. Bits 31–1 return 0s when read.
0	GLOBAL_SWAP	RW	When bit 0 is set to 1, all quadlets read from and written to the PCI interface are byte-swapped (big endian). The default value for this bit is 0 which is little endian mode.

7.18 Capability ID and Next Item Pointer Registers

The capability ID and next item pointer register identifies the linked-list capability item and provides a pointer to the next capability item. See Table 7–15 for a complete description of the register contents.

Bit	15	14	13	12	11	10	9	8	7	6	5	4	3	2	1	0
Name	Capability ID and next item pointer															
Type	R	R	R	R	R	R	R	R	R	R	R	R	R	R	R	R
Default	0	0	0	0	0	0	0	0	0	0	0	0	0	0	0	1

Register: **Capability ID and next item pointer**
 Offset: 44h
 Type: Read-only
 Default: 0001h

Table 7–15. Capability ID and Next Item Pointer Registers Description

BIT	FIELD NAME	TYPE	DESCRIPTION
15–8	NEXT_ITEM	R	Next item pointer. The PCI7x21/PCI7x11 controller supports only one additional capability that is communicated to the system through the extended capabilities list; therefore, this field returns 00h when read.
7–0	CAPABILITY_ID	R	Capability identification. This field returns 01h when read, which is the unique ID assigned by the PCI SIG for PCI power-management capability.

7.19 Power Management Capabilities Register

The power management capabilities register indicates the capabilities of the PCI7x21/PCI7x11 controller related to PCI power management. See Table 7–16 for a complete description of the register contents.

Bit	15	14	13	12	11	10	9	8	7	6	5	4	3	2	1	0
Name	Power management capabilities															
Type	RU	R	R	R	R	R	R	R	R	R	R	R	R	R	R	R
Default	0	1	1	1	1	1	1	0	0	0	0	0	0	0	1	0

Register: **Power management capabilities**

Offset: 46h

Type: Read/Update, Read-only

Default: 7E02h

Table 7–16. Power Management Capabilities Register Description

BIT	FIELD NAME	TYPE	DESCRIPTION
15	PME_D3COLD	RU	$\overline{\text{PME}}$ support from D3 _{cold} . This bit can be set to 1 or cleared to 0 via bit 15 (PME_D3COLD) in the PCI miscellaneous configuration register at offset F0h in the PCI configuration space (see Section 7.23). The PCI miscellaneous configuration register is loaded from ROM. When this bit is set to 1, it indicates that the PCI7x21/PCI7x11 controller is capable of generating a $\overline{\text{PME}}$ wake event from D3 _{cold} . This bit state is dependent upon the PCI7x21/PCI7x11 V _{AUX} implementation and may be configured by using bit 15 (PME_D3COLD) in the PCI miscellaneous configuration register (see Section 7.23).
14–11	PME_SUPPORT	R	$\overline{\text{PME}}$ support. This 4-bit field indicates the power states from which the PCI7x21/PCI7x11 controller may assert PME. This field returns a value of 1111b by default, indicating that PME may be asserted from the D3 _{hot} , D2, D1, and D0 power states.
10	D2_SUPPORT	R	D2 support. Bit 10 is hardwired to 1, indicating that the PCI7x21/PCI7x11 controller supports the D2 power state.
9	D1_SUPPORT	R	D1 support. Bit 9 is hardwired to 1, indicating that the PCI7x21/PCI7x11 controller supports the D1 power state.
8–6	AUX_CURRENT	R	Auxiliary current. This 3-bit field reports the 3.3-V _{AUX} auxiliary current requirements. When bit 15 (PME_D3COLD) is cleared, this field returns 000b; otherwise, it returns 001b. 000b = Self-powered 001b = 55 mA (3.3-V _{AUX} maximum current required)
5	DSI	R	Device-specific initialization. This bit returns 0 when read, indicating that the PCI7x21/PCI7x11 controller does not require special initialization beyond the standard PCI configuration header before a generic class driver is able to use it.
4	RSVD	R	Reserved. Bit 4 returns 0 when read.
3	PME_CLK	R	$\overline{\text{PME}}$ clock. This bit returns 0 when read, indicating that no host bus clock is required for the PCI7x21/PCI7x11 controller to generate $\overline{\text{PME}}$.
2–0	PM_VERSION	R	Power-management version. This field returns 010b when read, indicating that the PCI7x21/PCI7x11 controller is compatible with the registers described in the <i>PCI Bus Power Management Interface Specification</i> (Revision 1.1).

7.20 Power Management Control and Status Register

The power management control and status register implements the control and status of the PCI power-management function. This register is not affected by the internally generated reset caused by the transition from the D3_{hot} to D0 state. See Table 7–17 for a complete description of the register contents.

Bit	15	14	13	12	11	10	9	8	7	6	5	4	3	2	1	0
Name	Power management control and status															
Type	RWC	R	R	R	R	R	R	RW	R	R	R	R	R	R	RW	RW
Default	0	0	0	0	0	0	0	0	0	0	0	0	0	0	0	0

Register: **Power management control and status**
 Offset: 48h
 Type: Read/Clear, Read/Write, Read-only
 Default: 0000h

Table 7–17. Power Management Control and Status Register Description

BIT	FIELD NAME	TYPE	DESCRIPTION
15 ‡	PME_STS	RWC	Bit 15 is set to 1 when the PCI7x21/PCI7x11 controller normally asserts the $\overline{\text{PME}}$ signal independent of the state of bit 8 (PME_ENB). This bit is cleared by a writeback of 1, which also clears the $\overline{\text{PME}}$ signal driven by the PCI7x21/PCI7x11 controller. Writing a 0 to this bit has no effect.
14–13	DATA_SCALE	R	This field returns 0s, because the data register is not implemented.
12–9	DATA_SELECT	R	This field returns 0s, because the data register is not implemented.
8 ‡	PME_ENB	RW	When bit 8 is set to 1, $\overline{\text{PME}}$ assertion is enabled. When bit 8 is cleared, $\overline{\text{PME}}$ assertion is disabled. This bit defaults to 0 if the function does not support $\overline{\text{PME}}$ generation from D3 _{cold} . If the function supports $\overline{\text{PME}}$ from D3 _{cold} , then this bit is sticky and must be explicitly cleared by the operating system each time it is initially loaded.
7–2	RSVD	R	Reserved. Bits 7–2 return 0s when read.
1–0 ‡	PWR_STATE	RW	Power state. This 2-bit field sets the PCI7x21/PCI7x11 controller power state and is encoded as follows: 00 = Current power state is D0. 01 = Current power state is D1. 10 = Current power state is D2. 11 = Current power state is D3.

‡ These bits are cleared only by the assertion of $\overline{\text{GRST}}$.

7.21 Power Management Extension Registers

The power management extension register provides extended power-management features not applicable to the PCI7x21/PCI7x11 controller; thus, it is read-only and returns 0 when read. See Table 7–18 for a complete description of the register contents.

Bit	15	14	13	12	11	10	9	8	7	6	5	4	3	2	1	0
Name	Power management extension															
Type	R	R	R	R	R	R	R	R	R	R	R	R	R	R	R	R
Default	0	0	0	0	0	0	0	0	0	0	0	0	0	0	0	0

Register: **Power management extension**
 Offset: 4Ah
 Type: Read-only
 Default: 0000h

Table 7–18. Power Management Extension Registers Description

BIT	FIELD NAME	TYPE	DESCRIPTION
15–0	RSVD	R	Reserved. Bits 15–0 return 0s when read.

7.22 PCI PHY Control Register

The PCI PHY control register provides a method for enabling the PHY CNA output. See Table 7–19 for a complete description of the register contents.

Bit	31	30	29	28	27	26	25	24	23	22	21	20	19	18	17	16
Name	PCI PHY control															
Type	R	R	R	R	R	R	R	R	R	R	R	R	R	R	R	R
Default	0	0	0	0	0	0	0	0	0	0	0	0	0	0	0	0
Bit	15	14	13	12	11	10	9	8	7	6	5	4	3	2	1	0
Name	PCI PHY control															
Type	R	R	R	R	R	R	R	R	RW	R	R	RW	RW	RW	RW	RW
Default	0	0	0	0	0	0	0	0	0	0	0	0	1	0	0	0

Register: **PCI PHY control**
 Offset: ECh
 Type: Read/Write, Read-only
 Default: 0000 0008h

Table 7–19. PCI PHY Control Register Description

BIT	FIELD NAME	TYPE	DESCRIPTION
31–8	RSVD	R	Reserved. Bits 31–8 return 0s when read.
7 ‡	CNAOUT	RW	When bit 7 is set to 1, the PHY CNA output is routed to terminal P18. When implementing a serial EEPROM, this bit is loaded via the serial EEPROM as defined by Table 3–9 and must be 1 for normal operation.
6–5	RSVD	R	Reserved. Bits 6–5 return 0s when read. These bits must be 0s for normal operation.
4 ‡	PHYRST	RW	PHY reset. This bit controls the RST input to the PHY. When bit 4 is set, the PHY reset is asserted. The default value is 0. This bit must be 0 for normal operation.
3 ‡	RSVD	RW	Reserved. Bit 3 defaults to 1 to indicate compliance with IEEE Std 1394a-2000. This bit is loaded via the serial EEPROM as defined by Table 3–9 and must be 1 for normal operation.
2 ‡	PD	RW	This bit controls the power-down input to the PHY. When bit 2 is set, the PHY is in the power-down mode and enters the ULP mode if the LPS is disabled. If PD is asserted, then a reset to the physical layer must be initiated via bit 4 (PHYRST) after PD is cleared. The default value is 0. This bit must be 0 for normal operation.
1–0 ‡	RSVD	RW	Reserved. Bits 1–0 return 0s when read. These bits are affected when implementing a serial EEPROM; thus, bits 1–0 are loaded via the serial EEPROM as defined by Table 3–9 and must be 0s for normal operation.

‡ These bits are cleared only by the assertion of $\overline{\text{GRST}}$.

7.23 PCI Miscellaneous Configuration Register

The PCI miscellaneous configuration register provides miscellaneous PCI-related configuration. See Table 7–20 for a complete description of the register contents.

Bit	31	30	29	28	27	26	25	24	23	22	21	20	19	18	17	16
Name	PCI miscellaneous configuration															
Type	R	R	R	R	R	R	R	R	R	R	R	R	R	R	R	R
Default	0	0	0	0	0	0	0	0	0	0	0	0	0	0	0	0
Bit	15	14	13	12	11	10	9	8	7	6	5	4	3	2	1	0
Name	PCI miscellaneous configuration															
Type	RW	R	RW	R	RW	RW	RW	RW	R	R	R	RW	RW	RW	RW	RW
Default	0	0	0	0	0	0	0	0	0	0	0	0	0	0	0	0

Register: **PCI miscellaneous configuration**

Offset: F0h

Type: Read/Write, Read-only

Default: 0000 0000h

Table 7–20. PCI Miscellaneous Configuration Register Description

BIT	FIELD NAME	TYPE	DESCRIPTION
31–16	RSVD	R	Reserved. Bits 31–16 return 0s when read.
15 ‡	PME_D3COLD	RW	PME support from D3 _{COLD} . This bit programs bit 15 (PME_D3COLD) in the power management capabilities register at offset 46h in the PCI configuration space (see Section 7.19).
14–12	RSVD	R	Reserved. Bits 14–12 return 0s when read.
11 ‡	PCI2_3_EN	RW	PCI 2.3 Enable. The PCI7x21/PCI7x11 1394 OHCI function always conforms to the PCI 2.3 specification. Therefore, this bit is tied to 0.
10 ‡	ignore_mstrIntEna_for_pme	RW	Ignore IntMask.masterIntEnable bit for PME generation. When set, this bit causes the PME generation behavior to be changed as described in Section 3.8. When set, this bit also causes bit 26 of the OHCI vendor ID register at OHCI offset 40h (see Section 8.15) to read 1; otherwise, bit 26 reads 0. 0 = PME behavior generated from unmasked interrupt bits and IntMask.masterIntEnable bit (default) 1 = PME generation does not depend on the value of IntMask.masterIntEnable
9–8 ‡	MR_ENHANCE	RW	This field selects the read command behavior of the PCI master for read transactions of greater than two data phases. For read transactions of one or two data phases, a memory read command is used. The default of this field is 00. This register is loaded by the serial EEPROM word 12, bits 1–0. 00 = Memory read line (default) 01 = Memory read 10 = Memory read multiple 11 = Reserved, behavior reverts to default
7–6	RSVD	R	Reserved. Bits 7–6 return 0s when read.
5 ‡	RSVD	R	Reserved. Bit 5 returns 0 when read.
4 ‡	DIS_TGT_ABT	RW	Bit 4 defaults to 0, which provides OHCI-Lynx™ compatible target abort signaling. When this bit is set to 1, it enables the no-target-abort mode, in which the PCI7x21/PCI7x11 controller returns indeterminate data instead of signaling target abort. The PCI7x21/PCI7x11 LLC is divided into the PCLK and SCLK domains. If software tries to access registers in the link that are not active because the SCLK is disabled, then a target abort is issued by the link. On some systems, this can cause a problem resulting in a fatal system error. Enabling this bit allows the link to respond to these types of requests by returning FFh. It is recommended that this bit be cleared to 0.
3 ‡	GP2IIC	RW	When bit 3 is set to 1, the GPIO3 and GPIO2 signals are internally routed to the SCL and SDA, respectively. The GPIO3 and GPIO2 terminals are also placed in the high-impedance state.
2 ‡	DISABLE_SCLKGATE	RW	When bit 2 is set to 1, the internal SCLK runs identically with the chip input. This is a test feature only and must be cleared to 0 (all applications).

Table 7–20. PCI Miscellaneous Configuration Register Description (Continued)

BIT	FIELD NAME	TYPE	DESCRIPTION
1 ‡	DISABLE_PCIGATE	RW	When bit 1 is set to 1, the internal PCI clock runs identically with the chip input. This is a test feature only and must be cleared to 0 (all applications).
0 ‡	KEEP_PCLK	RW	When bit 0 is set to 1, the PCI clock is always kept <u>running</u> through the CLKRUN protocol. When this bit is cleared, the PCI clock can be stopped using <u>CLKRUN</u> on MFUNC6.

‡ This bit is cleared only by the assertion of GRST.

7.24 Link Enhancement Control Register

The link enhancement control register implements TI proprietary bits that are initialized by software or by a serial EEPROM, if present. After these bits are set to 1, their functionality is enabled only if bit 22 (aPhyEnhanceEnable) in the host controller control register at OHCI offset 50h/54h (see Section 8.16) is set to 1. See Table 7–21 for a complete description of the register contents.

Bit	31	30	29	28	27	26	25	24	23	22	21	20	19	18	17	16
Name	Link enhancement control															
Type	R	R	R	R	R	R	R	R	R	R	R	R	R	R	R	R
Default	0	0	0	0	0	0	0	0	0	0	0	0	0	0	0	0
Bit	15	14	13	12	11	10	9	8	7	6	5	4	3	2	1	0
Name	Link enhancement control															
Type	RW	R	RW	RW	R	RW	R	RW	RW	R	R	R	R	R	RW	R
Default	0	0	0	1	0	0	0	0	0	0	0	0	0	0	0	0

Register: **Link enhancement control**
 Offset: F4h
 Type: Read/Write, Read-only
 Default: 0000 1000h

Table 7–21. Link Enhancement Control Register Description

BIT	FIELD NAME	TYPE	DESCRIPTION
31–16	RSVD	R	Reserved. Bits 31–16 return 0s when read.
15 ‡	dis_at_pipeline	RW	Disable AT pipelining. When bit 15 is set to 1, out-of-order AT pipelining is disabled. The default value for this bit is 0.
14 ‡	RSVD	R	Reserved. Bit 14 defaults to 0 and must remain 0 for normal operation of the OHCI core.
13–12 ‡	atx_thresh	RW	<p>This field sets the initial AT threshold value, which is used until the AT FIFO is underrun. When the PCI7x21/PCI7x11 controller retries the packet, it uses a 2K-byte threshold, resulting in a store-and-forward operation.</p> <ul style="list-style-type: none"> 00 = Threshold ~ 2K bytes resulting in a store-and-forward operation 01 = Threshold ~ 1.7K bytes (default) 10 = Threshold ~ 1K bytes 11 = Threshold ~ 512 bytes <p>These bits fine-tune the asynchronous transmit threshold. For most applications the 1.7K-byte threshold is optimal. Changing this value may increase or decrease the 1394 latency depending on the average PCI bus latency.</p> <p>Setting the AT threshold to 1.7K, 1K, or 512 bytes results in data being transmitted at these thresholds or when an entire packet has been checked into the FIFO. If the packet to be transmitted is larger than the AT threshold, then the remaining data must be received before the AT FIFO is emptied; otherwise, an underrun condition occurs, resulting in a packet error at the receiving node. As a result, the link then commences a store-and-forward operation. It waits until it has the complete packet in the FIFO before retransmitting it on the second attempt to ensure delivery.</p> <p>An AT threshold of 2K results in a store-and-forward operation, which means that asynchronous data is not transmitted until an end-of-packet token is received. Restated, setting the AT threshold to 2K results in only complete packets being transmitted.</p> <p>Note that this controller always uses a store-and-forward operation when the asynchronous transmit retries register at OHCI offset 08h (see Section 8.3) is cleared.</p>

‡ These bits are cleared only by the assertion of GRST.

Table 7–21. Link Enhancement Control Register Description (Continued)

BIT	FIELD NAME	TYPE	DESCRIPTION
11	RSVD	R	Reserved. Bit 11 returns 0 when read.
10 ‡	enab_mpeg_ts	RW	Enable MPEG CIP timestamp enhancement. When bit 9 is set to 1, the enhancement is enabled for MPEG CIP transmit streams (FMT = 20h). The default value for this bit is 0.
9	RSVD	R	Reserved. Bit 9 returns 0 when read.
8 ‡	enab_dv_ts	RW	Enable DV CIP timestamp enhancement. When bit 8 is set to 1, the enhancement is enabled for DV CIP transmit streams (FMT = 00h). The default value for this bit is 0.
7 ‡	enab_unfair	RW	Enable asynchronous priority requests. OHCI-Lynx™ compatible. Setting bit 7 to 1 enables the link to respond to requests with priority arbitration. It is recommended that this bit be set to 1. The default value for this bit is 0.
6	RSVD	R	This bit is not assigned in the PCI7x21/PCI7x11 follow-on products, because this bit location loaded by the serial EEPROM from the enhancements field corresponds to bit 23 (programPhyEnable) in the host controller control register at OHCI offset 50h/54h (see Section 8.16).
5–3	RSVD	R	Reserved. Bits 5–3 return 0s when read.
2 ‡	RSVD	R	Reserved. Bit 2 returns 0 when read.
1 ‡	enab_accel	RW	Enable acceleration enhancements. OHCI-Lynx™ compatible. When bit 1 is set to 1, the PHY layer is notified that the link supports the IEEE Std 1394a-2000 acceleration enhancements, that is, ack-accelerated, fly-by concatenation, etc. It is recommended that this bit be set to 1. The default value for this bit is 0.
0	RSVD	R	Reserved. Bit 0 returns 0 when read.

‡ This bit is cleared only by the assertion of $\overline{\text{GRST}}$.

7.25 Subsystem Access Register

Write access to the subsystem access register updates the subsystem identification registers identically to OHCI-Lynx™. The system ID value written to this register may also be read back from this register. See Table 7–22 for a complete description of the register contents.

Bit	31	30	29	28	27	26	25	24	23	22	21	20	19	18	17	16
Name	Subsystem access															
Type	RW	RW	RW	RW	RW	RW	RW	RW	RW	RW	RW	RW	RW	RW	RW	RW
Default	0	0	0	0	0	0	0	0	0	0	0	0	0	0	0	0
Bit	15	14	13	12	11	10	9	8	7	6	5	4	3	2	1	0
Name	Subsystem access															
Type	RW	RW	RW	RW	RW	RW	RW	RW	RW	RW	RW	RW	RW	RW	RW	RW
Default	0	0	0	0	0	0	0	0	0	0	0	0	0	0	0	0

Register: **Subsystem access**
 Offset: F8h
 Type: Read/Write
 Default: 0000 0000h

Table 7–22. Subsystem Access Register Description

BIT	FIELD NAME	TYPE	DESCRIPTION
31–16 ‡	SUBDEV_ID	RW	Subsystem device ID alias. This field indicates the subsystem device ID.
15–0 ‡	SUBVEN_ID	RW	Subsystem vendor ID alias. This field indicates the subsystem vendor ID.

‡ These bits are cleared only by the assertion of $\overline{\text{GRST}}$.

7.26 GPIO Control Register

The GPIO control register has the control and status bits for GPIO0, GPIO1, GPIO2, and GPIO3 ports. Upon reset, GPIO0 and GPIO1 default to bus manager contender (BMC) and link power status terminals, respectively. The BMC terminal can be configured as GPIO0 by setting bit 7 (DISABLE_BMC) to 1. The LPS terminal can be configured as GPIO1 by setting bit 15 (DISABLE_LPS) to 1. See Table 7–23 for a complete description of the register contents.

Bit	31	30	29	28	27	26	25	24	23	22	21	20	19	18	17	16
Name	GPIO control															
Type	R	R	R/W	R/W	R	R	R	R/W	R	R	R/W	R/W	R	R	R	R/W
Default	0	0	0	0	0	0	0	0	0	0	0	0	0	0	0	0
Bit	15	14	13	12	11	10	9	8	7	6	5	4	3	2	1	0
Name	GPIO control															
Type	R/W	R	R/W	R/W	R	R	R	R/W	R/W	R	R/W	R/W	R	R	R	R/W
Default	0	0	0	0	0	0	0	0	0	0	0	0	0	0	0	0

Register: **GPIO control**
 Type: Read-only, Read/Write
 Offset: FCh
 Default: 0000 0000h

Table 7–23. GPIO Control Register Description

BIT	SIGNAL	TYPE	FUNCTION
31–30	RSVD	R	Reserved. Bits 31 and 30 return 0s when read.
29	GPIO_INV3	R/W	GPIO3 polarity invert. This bit controls the input/output polarity control of GPIO3. 0 = Noninverted (default) 1 = Inverted
28	GPIO_ENB3	R/W	GPIO3 enable control. This bit controls the output enable for GPIO3. 0 = High-impedance output (default) 1 = Output is enabled
27–25	RSVD	R	Reserved. Bits 27–25 return 0s when read.
24	GPIO_DATA3	R/W	GPIO3 data. When GPIO3 output is enabled, the value written to this bit represents the logical data driven to the GPIO3 terminal.
23–22	RSVD	R	Reserved. Bits 23 and 22 return 0s when read.
21	GPIO_INV2	R/W	GPIO2 polarity invert. This bit controls the input/output polarity control of GPIO2. 0 = Noninverted (default) 1 = Inverted
20	GPIO_ENB2	R/W	GPIO2 enable control. This bit controls the output enable for GPIO2. 0 = High-impedance output (default) 1 = Output is enabled
19–17	RSVD	R	Reserved. Bits 19–17 return 0s when read.
16	GPIO_DATA2	R/W	GPIO2 data. When GPIO2 output is enabled, the value written to this bit represents the logical data driven to the GPIO2 terminal.
15	DISABLE_LPS	R/W	Disable link power status (LPS). This bit configures this terminal as 0 = LPS (default) 1 = GPIO1
14	RSVD	R	Reserved. Bit 14 returns 0 when read.
13	GPIO_INV1	R/W	GPIO1 polarity invert. When bit 15 (DISABLE_LPS) is set to 1, this bit controls the input/output polarity control of GPIO1. 0 = Noninverted (default) 1 = Inverted

Table 7–23. GPIO Control Register Description (Continued)

BIT	SIGNAL	TYPE	FUNCTION
12	GPIO_ENB1	R/W	GPIO1 enable control. When bit 15 (DISABLE_LPS) is set to 1, this bit controls the output enable for GPIO1. 0 = High-impedance output (default) 1 = Output is enabled
11–9	RSVD	R	Reserved. Bits 11–9 return 0s when read.
8	GPIO_DATA1	R/W	GPIO1 data. When bit 15 (DISABLE_LPS) is set to 1 and GPIO1 output is enabled, the value written to this bit represents the logical data driven to the GPIO1 terminal.
7	DISABLE_BMC	R/W	Disable bus manager contender (BMC). This bit configures this terminal as bus manager contender or GPIO0. 0 = BMC (default) 1 = GPIO0
6	RSVD	R	Reserved. Bit 6 returns 0 when read.
5	GPIO_INV0	R/W	GPIO0 polarity invert. When bit 7 (DISABLE_BMC) is set to 1, this bit controls the input/output polarity control for GPIO0. 0 = Noninverted (default) 1 = Inverted
4	GPIO_ENB0	R/W	GPIO0 enable control. When bit 7 (DISABLE_BMC) is set to 1, this bit controls the output enable for GPIO0. 0 = High-impedance output (default) 1 = Output is enabled
3–1	RSVD	R	Reserved. Bits 3–1 return 0s when read.
0	GPIO_DATA0	R/W	GPIO0 data. When bit 7 (DISABLE_BMC) is set to 1 and GPIO0 output is enabled, the value written to this bit represents the logical data driven to the GPIO0 terminal.

8 OHCI Registers

The OHCI registers defined by the *1394 Open Host Controller Interface Specification* are memory-mapped into a 2K-byte region of memory pointed to by the OHCI base address register at offset 10h in PCI configuration space (see Section 7.8). These registers are the primary interface for controlling the PCI7x21/PCI7x11 IEEE 1394 link function.

This section provides the register interface and bit descriptions. Several set/clear register pairs in this programming model are implemented to solve various issues with typical read-modify-write control registers. There are two addresses for a set/clear register: RegisterSet and RegisterClear. See Table 8–1 for a register listing. A 1 bit written to RegisterSet causes the corresponding bit in the set/clear register to be set to 1; a 0 bit leaves the corresponding bit unaffected. A 1 bit written to RegisterClear causes the corresponding bit in the set/clear register to be cleared; a 0 bit leaves the corresponding bit in the set/clear register unaffected.

Typically, a read from either RegisterSet or RegisterClear returns the contents of the set or clear register, respectively. However, sometimes reading the RegisterClear provides a masked version of the set or clear register. The interrupt event register is an example of this behavior.

Table 8–1. OHCI Register Map

DMA CONTEXT	REGISTER NAME	ABBREVIATION	OFFSET	
—	OHCI version	Version	00h	
	GUID ROM	GUID_ROM	04h	
	Asynchronous transmit retries	ATRetries	08h	
	CSR data	CSRData	0Ch	
	CSR compare	CSRCompareData	10h	
	CSR control	CSRControl	14h	
	Configuration ROM header	ConfigROMhdr	18h	
	Bus identification	BusID	1Ch	
	Bus options ‡	BusOptions	20h	
	GUID high ‡	GUIDHi	24h	
	GUID low ‡	GUIDLo	28h	
	Reserved	—	2Ch–30h	
	Configuration ROM mapping	ConfigROMmap	34h	
	Posted write address low	PostedWriteAddressLo	38h	
	Posted write address high	PostedWriteAddressHi	3Ch	
	Vendor ID	VendorID	40h	
	Reserved	—	44h–4Ch	
	Host controller control ‡	HCControlSet		50h
		HCControlClr		54h
	Reserved	—	58h–5Ch	

‡ One or more bits in this register are cleared only by the assertion of \overline{GRST} .

Table 8–1. OHCI Register Map (Continued)

DMA CONTEXT	REGISTER NAME	ABBREVIATION	OFFSET	
Self-ID	Reserved	—	60h	
	Self-ID buffer pointer	SelfIDBuffer	64h	
	Self-ID count	SelfIDCount	68h	
	Reserved	—	6Ch	
—	Isochronous receive channel mask high	IRChannelMaskHiSet	70h	
		IRChannelMaskHiClear	74h	
	Isochronous receive channel mask low	IRChannelMaskLoSet	78h	
		IRChannelMaskLoClear	7Ch	
	Interrupt event	IntEventSet	80h	
		IntEventClear	84h	
	Interrupt mask	IntMaskSet	88h	
		IntMaskClear	8Ch	
	Isochronous transmit interrupt event	IsoXmitIntEventSet	90h	
		IsoXmitIntEventClear	94h	
	Isochronous transmit interrupt mask	IsoXmitIntMaskSet	98h	
		IsoXmitIntMaskClear	9Ch	
	—	Isochronous receive interrupt event	IsoRecvIntEventSet	A0h
			IsoRecvIntEventClear	A4h
Isochronous receive interrupt mask		IsoRecvIntMaskSet	A8h	
		IsoRecvIntMaskClear	ACh	
Initial bandwidth available		InitialBandwidthAvailable	B0h	
Initial channels available high		InitialChannelsAvailableHi	B4h	
Initial channels available low		InitialChannelsAvailableLo	B8h	
Reserved		—	BCh–D8h	
Fairness control		FairnessControl	DCh	
Link control ‡		LinkControlSet	E0h	
		LinkControlClear	E4h	
Node identification		NodeID	E8h	
PHY layer control		PhyControl	ECh	
Isochronous cycle timer		Isocyc timer	F0h	
Reserved		—	F4h–FCh	
Asynchronous request filter high		AsyncRequestFilterHiSet	100h	
		AsyncRequestFilterHiClear	104h	
Asynchronous request filter low		AsyncRequestFilterLoSet	108h	
		AsyncRequestFilterLoClear	10Ch	
Physical request filter high		PhysicalRequestFilterHiSet	110h	
		PhysicalRequestFilterHiClear	114h	
Physical request filter low		PhysicalRequestFilterLoSet	118h	
	PhysicalRequestFilterLoClear	11Ch		
Physical upper bound	PhysicalUpperBound	120h		
Reserved	—	124h–17Ch		

‡ One or more bits in this register are cleared only by the assertion of $\overline{\text{GRST}}$.

Table 8–1. OHCI Register Map (Continued)

DMA CONTEXT	REGISTER NAME	ABBREVIATION	OFFSET
Asynchronous Request Transmit [ATRQ]	Asynchronous context control	ContextControlSet	180h
		ContextControlClear	184h
	Reserved	—	188h
	Asynchronous context command pointer	CommandPtr	18Ch
	Reserved	—	190h–19Ch
Asynchronous Response Transmit [ATRS]	Asynchronous context control	ContextControlSet	1A0h
		ContextControlClear	1A4h
	Reserved	—	1A8h
	Asynchronous context command pointer	CommandPtr	1ACh
	Reserved	—	1B0h–1BCh
Asynchronous Request Receive [ARRQ]	Asynchronous context control	ContextControlSet	1C0h
		ContextControlClear	1C4h
	Reserved	—	1C8h
	Asynchronous context command pointer	CommandPtr	1CCh
	Reserved	—	1D0h–1DCh
Asynchronous Response Receive [ARRS]	Asynchronous context control	ContextControlSet	1E0h
		ContextControlClear	1E4h
	Reserved	—	1E8h
	Asynchronous context command pointer	CommandPtr	1ECh
	Reserved	—	1F0h–1FCh
Isochronous Transmit Context n n = 0, 1, 2, 3, ..., 7	Isochronous transmit context control	ContextControlSet	200h + 16*n
		ContextControlClear	204h + 16*n
	Reserved	—	208h + 16*n
	Isochronous transmit context command pointer	CommandPtr	20Ch + 16*n
	Reserved	—	210h–3FCh
Isochronous Receive Context n n = 0, 1, 2, 3	Isochronous receive context control	ContextControlSet	400h + 32*n
		ContextControlClear	404h + 32*n
	Reserved	—	408h + 32*n
	Isochronous receive context command pointer	CommandPtr	40Ch + 32*n
	Isochronous receive context match	ContextMatch	410h + 32*n

8.1 OHCI Version Register

The OHCI version register indicates the OHCI version support and whether or not the serial EEPROM is present. See Table 8–2 for a complete description of the register contents.

Bit	31	30	29	28	27	26	25	24	23	22	21	20	19	18	17	16
Name	OHCI version															
Type	R	R	R	R	R	R	R	RU	R	R	R	R	R	R	R	R
Default	0	0	0	0	0	0	0	X	0	0	0	0	0	0	0	1
Bit	15	14	13	12	11	10	9	8	7	6	5	4	3	2	1	0
Name	OHCI version															
Type	R	R	R	R	R	R	R	R	R	R	R	R	R	R	R	R
Default	0	0	0	0	0	0	0	0	0	0	0	1	0	0	0	0

Register: **OHCI version**
 Offset: 00h
 Type: Read-only
 Default: 0X01 0010h

Table 8–2. OHCI Version Register Description

BIT	FIELD NAME	TYPE	DESCRIPTION
31–25	RSVD	R	Reserved. Bits 31–25 return 0s when read.
24 ‡	GUID_ROM	RU	The PCI7x21/PCI7x11 controller sets bit 24 to 1 if the serial EEPROM is detected. If the serial EEPROM is present, then the Bus_Info_Block is automatically loaded on system (hardware) reset. The default value for this bit is 0.
23–16	version	R	Major version of the OHCI. The PCI7x21/PCI7x11 controller is compliant with the <i>1394 Open Host Controller Interface Specification</i> (Release 1.1); thus, this field reads 01h.
15–8	RSVD	R	Reserved. Bits 15–8 return 0s when read.
7–0	revision	R	Minor version of the OHCI. The PCI7x21/PCI7x11 controller is compliant with the <i>1394 Open Host Controller Interface Specification</i> (Release 1.1); thus, this field reads 10h.

‡ This bit is cleared only by the assertion of $\overline{\text{GRST}}$.

8.2 GUID ROM Register

The GUID ROM register accesses the serial EEPROM, and is only applicable if bit 24 (GUID_ROM) in the OHCI version register at OHCI offset 00h (see Section 8.1) is set to 1. See Table 8–3 for a complete description of the register contents.

Bit	31	30	29	28	27	26	25	24	23	22	21	20	19	18	17	16
Name	GUID ROM															
Type	RSU	R	R	R	R	R	RSU	R	RU	RU	RU	RU	RU	RU	RU	RU
Default	0	0	0	0	0	0	0	0	X	X	X	X	X	X	X	X
Bit	15	14	13	12	11	10	9	8	7	6	5	4	3	2	1	0
Name	GUID ROM															
Type	R	R	R	R	R	R	R	R	R	R	R	R	R	R	R	R
Default	0	0	0	0	0	0	0	0	0	0	0	0	0	0	0	0

Register: **GUID ROM**
 Offset: 04h
 Type: Read/Set/Update, Read/Update, Read-only
 Default: 00XX 0000h

Table 8–3. GUID ROM Register Description

BIT	FIELD NAME	TYPE	DESCRIPTION
31	addrReset	RSU	Software sets bit 31 to 1 to reset the GUID ROM address to 0. When the PCI7x21/PCI7x11 controller completes the reset, it clears this bit. The PCI7x21/PCI7x11 controller does not automatically fill bits 23–16 (rdData field) with the 0 th byte.
30–26	RSVD	R	Reserved. Bits 30–26 return 0s when read.
25	rdStart	RSU	A read of the currently addressed byte is started when bit 25 is set to 1. This bit is automatically cleared when the PCI7x21/PCI7x11 controller completes the read of the currently addressed GUID ROM byte.
24	RSVD	R	Reserved. Bit 24 returns 0 when read.
23–16	rdData	RU	This field contains the data read from the GUID ROM.
15–8	RSVD	R	Reserved. Bits 15–8 return 0s when read.
7–0	miniROM	R	The miniROM field defaults to 00h indicating that no mini-ROM is implemented. If an EEPROM is implemented, then all 8 bits of this miniROM field are downloaded from EEPROM word offset 28h. For this device, the miniROM field must be greater than ??h to indicate a valid miniROM offset into the EEPROM.

8.3 Asynchronous Transmit Retries Register

The asynchronous transmit retries register indicates the number of times the PCI7x21/PCI7x11 controller attempts a retry for asynchronous DMA request transmit and for asynchronous physical and DMA response transmit. See Table 8–4 for a complete description of the register contents.

Bit	31	30	29	28	27	26	25	24	23	22	21	20	19	18	17	16
Name	Asynchronous transmit retries															
Type	R	R	R	R	R	R	R	R	R	R	R	R	R	R	R	R
Default	0	0	0	0	0	0	0	0	0	0	0	0	0	0	0	0
Bit	15	14	13	12	11	10	9	8	7	6	5	4	3	2	1	0
Name	Asynchronous transmit retries															
Type	R	R	R	R	RW	RW	RW	RW	RW	RW	RW	RW	RW	RW	RW	RW
Default	0	0	0	0	0	0	0	0	0	0	0	0	0	0	0	0

Register: **Asynchronous transmit retries**
 Offset: 08h
 Type: Read/Write, Read-only
 Default: 0000 0000h

Table 8–4. Asynchronous Transmit Retries Register Description

BIT	FIELD NAME	TYPE	DESCRIPTION
31–29	secondLimit	R	The second limit field returns 0s when read, because outbound dual-phase retry is not implemented.
28–16	cycleLimit	R	The cycle limit field returns 0s when read, because outbound dual-phase retry is not implemented.
15–12	RSVD	R	Reserved. Bits 15–12 return 0s when read.
11–8	maxPhysRespRetries	RW	This field tells the physical response unit how many times to attempt to retry the transmit operation for the response packet when a busy acknowledge or ack_data_error is received from the target node. The default value for this field is 0h.
7–4	maxATRespRetries	RW	This field tells the asynchronous transmit response unit how many times to attempt to retry the transmit operation for the response packet when a busy acknowledge or ack_data_error is received from the target node. The default value for this field is 0h.
3–0	maxATReqRetries	RW	This field tells the asynchronous transmit DMA request unit how many times to attempt to retry the transmit operation for the response packet when a busy acknowledge or ack_data_error is received from the target node. The default value for this field is 0h.

8.4 CSR Data Register

The CSR data register accesses the bus management CSR registers from the host through compare-swap operations. This register contains the data to be stored in a CSR if the compare is successful.

Bit	31	30	29	28	27	26	25	24	23	22	21	20	19	18	17	16
Name	CSR data															
Type	R	R	R	R	R	R	R	R	R	R	R	R	R	R	R	R
Default	X	X	X	X	X	X	X	X	X	X	X	X	X	X	X	X
Bit	15	14	13	12	11	10	9	8	7	6	5	4	3	2	1	0
Name	CSR data															
Type	R	R	R	R	R	R	R	R	R	R	R	R	R	R	R	R
Default	X	X	X	X	X	X	X	X	X	X	X	X	X	X	X	X

Register: **CSR data**
 Offset: 0Ch
 Type: Read-only
 Default: XXXX XXXXh

8.5 CSR Compare Register

The CSR compare register accesses the bus management CSR registers from the host through compare-swap operations. This register contains the data to be compared with the existing value of the CSR resource.

Bit	31	30	29	28	27	26	25	24	23	22	21	20	19	18	17	16
Name	CSR compare															
Type	R	R	R	R	R	R	R	R	R	R	R	R	R	R	R	R
Default	X	X	X	X	X	X	X	X	X	X	X	X	X	X	X	X
Bit	15	14	13	12	11	10	9	8	7	6	5	4	3	2	1	0
Name	CSR compare															
Type	R	R	R	R	R	R	R	R	R	R	R	R	R	R	R	R
Default	X	X	X	X	X	X	X	X	X	X	X	X	X	X	X	X

Register: **CSR compare**
 Offset: 10h
 Type: Read-only
 Default: XXXX XXXXh

8.6 CSR Control Register

The CSR control register accesses the bus management CSR registers from the host through compare-swap operations. This register controls the compare-swap operation and selects the CSR resource. See Table 8–5 for a complete description of the register contents.

Bit	31	30	29	28	27	26	25	24	23	22	21	20	19	18	17	16
Name	CSR control															
Type	RU	R	R	R	R	R	R	R	R	R	R	R	R	R	R	R
Default	1	0	0	0	0	0	0	0	0	0	0	0	0	0	0	0
Bit	15	14	13	12	11	10	9	8	7	6	5	4	3	2	1	0
Name	CSR control															
Type	R	R	R	R	R	R	R	R	R	R	R	R	R	R	RW	RW
Default	0	0	0	0	0	0	0	0	0	0	0	0	0	0	X	X

Register: **CSR control**
 Offset: 14h
 Type: Read/Write, Read/Update, Read-only
 Default: 8000 000Xh

Table 8–5. CSR Control Register Description

BIT	FIELD NAME	TYPE	DESCRIPTION
31	csrDone	RU	Bit 31 is set to 1 by the PCI7x21/PCI7x11 controller when a compare-swap operation is complete. It is cleared whenever this register is written.
30–2	RSVD	R	Reserved. Bits 30–2 return 0s when read.
1–0	csrSel	RW	This field selects the CSR resource as follows: 00 = BUS_MANAGER_ID 01 = BANDWIDTH_AVAILABLE 10 = CHANNELS_AVAILABLE_HI 11 = CHANNELS_AVAILABLE_LO

8.7 Configuration ROM Header Register

The configuration ROM header register externally maps to the first quadlet of the 1394 configuration ROM, offset FFFF F000 0400h. See Table 8–6 for a complete description of the register contents.

Bit	31	30	29	28	27	26	25	24	23	22	21	20	19	18	17	16
Name	Configuration ROM header															
Type	RW	RW	RW	RW	RW	RW	RW	RW	RW	RW	RW	RW	RW	RW	RW	RW
Default	0	0	0	0	0	0	0	0	0	0	0	0	0	0	0	0
Bit	15	14	13	12	11	10	9	8	7	6	5	4	3	2	1	0
Name	Configuration ROM header															
Type	RW	RW	RW	RW	RW	RW	RW	RW	RW	RW	RW	RW	RW	RW	RW	RW
Default	X	X	X	X	X	X	X	X	X	X	X	X	X	X	X	X

Register: **Configuration ROM header**
 Offset: 18h
 Type: Read/Write
 Default: 0000 XXXXh

Table 8–6. Configuration ROM Header Register Description

BIT	FIELD NAME	TYPE	DESCRIPTION
31–24	info_length	RW	IEEE 1394 bus-management field. Must be valid when bit 17 (linkEnable) in the host controller control register at OHCI offset 50h/54h (see Section 8.16) is set to 1. The default value for this field is 00h.
23–16	crc_length	RW	IEEE 1394 bus-management field. Must be valid when bit 17 (linkEnable) in the host controller control register at OHCI offset 50h/54h (see Section 8.16) is set to 1. The default value for this field is 00h.
15–0	rom_crc_value	RW	IEEE 1394 bus-management field. Must be valid at any time bit 17 (linkEnable) in the host controller control register at OHCI offset 50h/54h (see Section 8.16) is set to 1.

8.8 Bus Identification Register

The bus identification register externally maps to the first quadlet in the Bus_Info_Block and contains the constant 3133 3934h, which is the ASCII value of 1394.

Bit	31	30	29	28	27	26	25	24	23	22	21	20	19	18	17	16
Name	Bus identification															
Type	R	R	R	R	R	R	R	R	R	R	R	R	R	R	R	R
Default	0	0	1	1	0	0	0	1	0	0	1	1	0	0	1	1
Bit	15	14	13	12	11	10	9	8	7	6	5	4	3	2	1	0
Name	Bus identification															
Type	R	R	R	R	R	R	R	R	R	R	R	R	R	R	R	R
Default	0	0	1	1	1	0	0	1	0	0	1	1	0	1	0	0

Register: **Bus identification**
 Offset: 1Ch
 Type: Read-only
 Default: 3133 3934h

8.9 Bus Options Register

The bus options register externally maps to the second quadlet of the Bus_Info_Block. See Table 8–7 for a complete description of the register contents.

Bit	31	30	29	28	27	26	25	24	23	22	21	20	19	18	17	16
Name	Bus options															
Type	RW	RW	RW	RW	RW	R	R	R	RW	RW	RW	RW	RW	RW	RW	RW
Default	X	X	X	X	0	0	0	0	X	X	X	X	X	X	X	X
Bit	15	14	13	12	11	10	9	8	7	6	5	4	3	2	1	0
Name	Bus options															
Type	RW	RW	RW	RW	R	R	R	R	RW	RW	R	R	R	R	R	R
Default	1	0	1	0	0	0	0	0	X	X	0	0	0	0	1	0

Register: **Bus options**
 Offset: 20h
 Type: Read/Write, Read-only
 Default: X0XX A0X2h

Table 8–7. Bus Options Register Description

BIT	FIELD NAME	TYPE	DESCRIPTION
31	irmc	RW	Isochronous resource-manager capable. IEEE 1394 bus-management field. Must be valid when bit 17 (linkEnable) in the host controller control register at OHCI offset 50h/54h (see Section 8.16) is set to 1. The default value for this bit is 0.
30	cmc	RW	Cycle master capable. IEEE 1394 bus-management field. Must be valid when bit 17 (linkEnable) in the host controller control register at OHCI offset 50h/54h (see Section 8.16) is set to 1. The default value for this bit is 0.
29	isc	RW	Isochronous support capable. IEEE 1394 bus-management field. Must be valid when bit 17 (linkEnable) in the host controller control register at OHCI offset 50h/54h (see Section 8.16) is set to 1. The default value for this bit is 0.
28	bmc	RW	Bus manager capable. IEEE 1394 bus-management field. Must be valid when bit 17 (linkEnable) in the host controller control register at OHCI offset 50h/54h (see Section 8.16) is set to 1. The default value for this bit is 0.
27	pmc	RW	Power-management capable. IEEE 1394 bus-management field. When bit 27 is set to 1, this indicates that the node is power-management capable. Must be valid when bit 17 (linkEnable) in the host controller control register at OHCI offset 50h/54h (see Section 8.16) is set to 1. The default value for this bit is 0.
26–24	RSVD	R	Reserved. Bits 26–24 return 0s when read.
23–16	cyc_clk_acc	RW	Cycle master clock accuracy, in parts per million. IEEE 1394 bus-management field. Must be valid when bit 17 (linkEnable) in the host controller control register at OHCI offset 50h/54h (see Section 8.16) is set to 1. The default value for this field is 00h.
15–12 ‡	max_rec	RW	Maximum request. IEEE 1394 bus-management field. Hardware initializes this field to indicate the maximum number of bytes in a block request packet that is supported by the implementation. This value, max_rec_bytes, must be 512 or greater, and is calculated by $2^{(\text{max_rec} + 1)}$. Software may change this field; however, this field must be valid at any time bit 17 (linkEnable) in the host controller control register at OHCI offset 50h/54h (see Section 8.16) is set to 1. A received block write request packet with a length greater than max_rec_bytes may generate an ack_type_error. This field is not affected by a software reset, and defaults to value indicating 2048 bytes on a system (hardware) reset. The default value for this field is Ah.
11–8	RSVD	R	Reserved. Bits 11–8 return 0s when read.
7–6	g	RW	Generation counter. This field is incremented if any portion of the configuration ROM has been incremented since the prior bus reset.
5–3	RSVD	R	Reserved. Bits 5–3 return 0s when read.
2–0	Lnk_spd	R	Link speed. This field returns 010, indicating that the link speeds of 100M bits/s, 200M bits/s, and 400M bits/s are supported.

‡ These bits are cleared only by the assertion of $\overline{\text{GRST}}$.

8.10 GUID High Register

The GUID high register represents the upper quadlet in a 64-bit global unique ID (GUID) which maps to the third quadlet in the Bus_Info_Block. This register contains node_vendor_ID and chip_ID_hi fields. This register initializes to 0s on a system (hardware) reset, which is an illegal GUID value. If a serial EEPROM is detected, then the contents of this register are loaded through the serial EEPROM interface after a GRST. At that point, the contents of this register cannot be changed. If no serial EEPROM is detected, then the contents of this register are loaded by the BIOS. At that point, the contents of this register cannot be changed. All bits in this register are reset by GRST only.

Bit	31	30	29	28	27	26	25	24	23	22	21	20	19	18	17	16
Name	GUID high															
Type	R	R	R	R	R	R	R	R	R	R	R	R	R	R	R	R
Default	0	0	0	0	0	0	0	0	0	0	0	0	0	0	0	0
Bit	15	14	13	12	11	10	9	8	7	6	5	4	3	2	1	0
Name	GUID high															
Type	R	R	R	R	R	R	R	R	R	R	R	R	R	R	R	R
Default	0	0	0	0	0	0	0	0	0	0	0	0	0	0	0	0

Register: **GUID high**
 Offset: 24h
 Type: Read-only
 Default: 0000 0000h

8.11 GUID Low Register

The GUID low register represents the lower quadlet in a 64-bit global unique ID (GUID) which maps to chip_ID_lo in the Bus_Info_Block. This register initializes to 0s on a system (hardware) reset and behaves identical to the GUID high register at OHCI offset 24h (see Section 8.10). All bits in this register are reset by GRST only.

Bit	31	30	29	28	27	26	25	24	23	22	21	20	19	18	17	16
Name	GUID low															
Type	R	R	R	R	R	R	R	R	R	R	R	R	R	R	R	R
Default	0	0	0	0	0	0	0	0	0	0	0	0	0	0	0	0
Bit	15	14	13	12	11	10	9	8	7	6	5	4	3	2	1	0
Name	GUID low															
Type	R	R	R	R	R	R	R	R	R	R	R	R	R	R	R	R
Default	0	0	0	0	0	0	0	0	0	0	0	0	0	0	0	0

Register: **GUID low**
 Offset: 28h
 Type: Read-only
 Default: 0000 0000h

8.12 Configuration ROM Mapping Register

The configuration ROM mapping register contains the start address within system memory that maps to the start address of 1394 configuration ROM for this node. See Table 8–8 for a complete description of the register contents.

Bit	31	30	29	28	27	26	25	24	23	22	21	20	19	18	17	16
Name	Configuration ROM mapping															
Type	RW	RW	RW	RW	RW	RW	RW	RW	RW	RW	RW	RW	RW	RW	RW	RW
Default	0	0	0	0	0	0	0	0	0	0	0	0	0	0	0	0
Bit	15	14	13	12	11	10	9	8	7	6	5	4	3	2	1	0
Name	Configuration ROM mapping															
Type	RW	RW	RW	RW	RW	RW	R	R	R	R	R	R	R	R	R	R
Default	0	0	0	0	0	0	0	0	0	0	0	0	0	0	0	0

Register: **Configuration ROM mapping**
 Offset: 34h
 Type: Read/Write
 Default: 0000 0000h

Table 8–8. Configuration ROM Mapping Register Description

BIT	FIELD NAME	TYPE	DESCRIPTION
31–10	configROMAddr	RW	If a quadlet read request to 1394 offset FFFF F000 0400h through offset FFFF F000 07FFh is received, then the low-order 10 bits of the offset are added to this register to determine the host memory address of the read request.
9–0	RSVD	R	Reserved. Bits 9–0 return 0s when read.

8.13 Posted Write Address Low Register

The posted write address low register communicates error information if a write request is posted and an error occurs while the posted data packet is being written. See Table 8–9 for a complete description of the register contents.

Bit	31	30	29	28	27	26	25	24	23	22	21	20	19	18	17	16
Name	Posted write address low															
Type	RU	RU	RU	RU	RU	RU	RU	RU	RU	RU	RU	RU	RU	RU	RU	RU
Default	X	X	X	X	X	X	X	X	X	X	X	X	X	X	X	X
Bit	15	14	13	12	11	10	9	8	7	6	5	4	3	2	1	0
Name	Posted write address low															
Type	RU	RU	RU	RU	RU	RU	RU	RU	RU	RU	RU	RU	RU	RU	RU	RU
Default	X	X	X	X	X	X	X	X	X	X	X	X	X	X	X	X

Register: **Posted write address low**
 Offset: 38h
 Type: Read/Update
 Default: XXXX XXXXh

Table 8–9. Posted Write Address Low Register Description

BIT	FIELD NAME	TYPE	DESCRIPTION
31–0	offsetLo	RU	The lower 32 bits of the 1394 destination offset of the write request that failed.

8.14 Posted Write Address High Register

The posted write address high register communicates error information if a write request is posted and an error occurs while writing the posted data packet. See Table 8–10 for a complete description of the register contents.

Bit	31	30	29	28	27	26	25	24	23	22	21	20	19	18	17	16
Name	Posted write address high															
Type	RU	RU	RU	RU	RU	RU	RU	RU	RU	RU	RU	RU	RU	RU	RU	RU
Default	X	X	X	X	X	X	X	X	X	X	X	X	X	X	X	X
Bit	15	14	13	12	11	10	9	8	7	6	5	4	3	2	1	0
Name	Posted write address high															
Type	RU	RU	RU	RU	RU	RU	RU	RU	RU	RU	RU	RU	RU	RU	RU	RU
Default	X	X	X	X	X	X	X	X	X	X	X	X	X	X	X	X

Register: **Posted write address high**
 Offset: 3Ch
 Type: Read/Update
 Default: XXXX XXXXh

Table 8–10. Posted Write Address High Register Description

BIT	FIELD NAME	TYPE	DESCRIPTION
31–16	sourceID	RU	This field is the 10-bit bus number (bits 31–22) and 6-bit node number (bits 21–16) of the node that issued the write request that failed.
15–0	offsetHi	RU	The upper 16 bits of the 1394 destination offset of the write request that failed.

8.15 Vendor ID Register

The vendor ID register holds the company ID of an organization that specifies any vendor-unique registers. The PCI7x21/PCI7x11 controller implements Texas Instruments unique behavior with regards to OHCI. Thus, this register is read-only and returns 0108 0028h when read.

Bit	31	30	29	28	27	26	25	24	23	22	21	20	19	18	17	16
Name	Vendor ID															
Type	R	R	R	R	R	R	R	R	R	R	R	R	R	R	R	R
Default	0	0	0	0	0	0	0	1	0	0	0	0	1	0	0	0
Bit	15	14	13	12	11	10	9	8	7	6	5	4	3	2	1	0
Name	Vendor ID															
Type	R	R	R	R	R	R	R	R	R	R	R	R	R	R	R	R
Default	0	0	0	0	0	0	0	0	0	0	1	0	1	0	0	0

Register: **Vendor ID**
 Offset: 40h
 Type: Read-only
 Default: 0108 0028h

8.16 Host Controller Control Register

The host controller control set/clear register pair provides flags for controlling the PCI7x21/PCI7x11 controller. See Table 8–11 for a complete description of the register contents.

Bit	31	30	29	28	27	26	25	24	23	22	21	20	19	18	17	16
Name	Host controller control															
Type	RSU	RSC	RSC	R	R	R	R	R	R	RSC	R	R	RSC	RSC	RSC	RSCU
Default	0	X	0	0	0	0	0	0	1	0	0	0	0	X	0	0
Bit	15	14	13	12	11	10	9	8	7	6	5	4	3	2	1	0
Name	Host controller control															
Type	R	R	R	R	R	R	R	R	R	R	R	R	R	R	R	R
Default	0	0	0	0	0	0	0	0	0	0	0	0	0	0	0	0

Register: **Host controller control**
 Offset: 50h set register
 54h clear register
 Type: Read/Set/Clear/Update, Read/Set/Clear, Read/Clear, Read-only
 Default: X08X 0000h

Table 8–11. Host Controller Control Register Description

BIT	FIELD NAME	TYPE	DESCRIPTION
31	BIBimage Valid	RSU	When bit 31 is set to 1, the PCI7x21/PCI7x11 physical response unit is enabled to respond to block read requests to host configuration ROM and to the mechanism for atomically updating configuration ROM. Software creates a valid image of the bus_info_block in host configuration ROM before setting this bit. When this bit is cleared, the PCI7x21/PCI7x11 controller returns ack_type_error on block read requests to host configuration ROM. Also, when this bit is cleared and a 1394 bus reset occurs, the configuration ROM mapping register at OHCI offset 34h (see Section 8.12), configuration ROM header register at OHCI offset 18h (see Section 8.7), and bus options register at OHCI offset 20h (see Section 8.9) are not updated. Software can set this bit only when bit 17 (linkEnable) is 0. Once bit 31 is set to 1, it can be cleared by a system (hardware) reset, a software reset, or if a fetch error occurs when the PCI7x21/PCI7x11 controller loads bus_info_block registers from host memory.
30	noByteSwapData	RSC	Bit 30 controls whether physical accesses to locations outside the PCI7x21/PCI7x11 controller itself, as well as any other DMA data accesses are byte swapped.
29	AckTardyEnable	RSC	Bit 29 controls the acknowledgement of ack_tardy. When bit 29 is set to 1, ack_tardy may be returned as an acknowledgment to accesses from the 1394 bus to the PCI7x21/PCI7x11 controller, including accesses to the bus_info_block. The PCI7x21/PCI7x11 controller returns ack_tardy to all other asynchronous packets addressed to the PCI7x21/PCI7x11 node. When the PCI7x21/PCI7x11 controller sends ack_tardy, bit 27 (ack_tardy) in the interrupt event register at OHCI offset 80h/84h (see Section 8.21) is set to 1 to indicate the attempted asynchronous access. Software ensures that bit 27 (ack_tardy) in the interrupt event register is 0. Software also unmask wake-up interrupt events such as bit 19 (phy) and bit 27 (ack_tardy) in the interrupt event register before placing the PCI7x21/PCI7x11 controller into the D1 power mode. Software must not set this bit if the PCI7x21/PCI7x11 node is the 1394 bus manager.
28–24	RSVD	R	Reserved. Bits 28–24 return 0s when read.
23 ‡	programPhyEnable	R	Bit 23 informs upper-level software that lower-level software has consistently configured the IEEE 1394a-2000 enhancements in the link and PHY layers. When this bit is 1, generic software such as the OHCI driver is responsible for configuring IEEE 1394a-2000 enhancements in the PHY layer and bit 22 (aPhyEnhanceEnable). When this bit is 0, the generic software may not modify the IEEE 1394a-2000 enhancements in the PHY layer and cannot interpret the setting of bit 22 (aPhyEnhanceEnable). This bit is initialized from serial EEPROM. This bit defaults to 1.

‡ This bit is cleared only by the assertion of $\overline{\text{GRST}}$.

Table 8–11. Host Controller Control Register Description (Continued)

BIT	FIELD NAME	TYPE	DESCRIPTION
22	aPhyEnhanceEnable	RSC	When bits 23 (programPhyEnable) and 17 (linkEnable) are 1, the OHCI driver can set bit 22 to 1 to use all IEEE 1394a-2000 enhancements. When bit 23 (programPhyEnable) is cleared to 0, the software does not change PHY enhancements or this bit.
21–20	RSVD	R	Reserved. Bits 21 and 20 return 0s when read.
19	LPS	RSC	Bit 19 controls the link power status. Software must set this bit to 1 to permit the link-PHY communication. A 0 prevents link-PHY communication. The OHCI-link is divided into two clock domains (PCLK and PHY_SCLK). If software tries to access any register in the PHY_SCLK domain while the PHY_SCLK is disabled, then a target abort is issued by the link. This problem can be avoided by setting bit 4 (DIS_TGT_ABT) to 1 in the PCI miscellaneous configuration register at offset F0h in the PCI configuration space (see Section 7.23). This allows the link to respond to these types of request by returning all Fs (hex). OHCI registers at offsets DCh–F0h and 100h–11Ch are in the PHY_SCLK domain. After setting LPS, software must wait approximately 10 ms before attempting to access any of the OHCI registers. This gives the PHY_SCLK time to stabilize.
18	postedWriteEnable	RSC	Bit 18 enables (1) or disables (0) posted writes. Software changes this bit only when bit 17 (linkEnable) is 0.
17	linkEnable	RSC	Bit 17 is cleared to 0 by either a system (hardware) or software reset. Software must set this bit to 1 when the system is ready to begin operation and then force a bus reset. This bit is necessary to keep other nodes from sending transactions before the local system is ready. When this bit is cleared, the PCI7x21/PCI7x11 controller is logically and immediately disconnected from the 1394 bus, no packets are received or processed, nor are packets transmitted.
16	SoftReset	RSCU	When bit 16 is set to 1, all PCI7x21/PCI7x11 states are reset, all FIFOs are flushed, and all OHCI registers are set to their system (hardware) reset values, unless otherwise specified. PCI registers are not affected by this bit. This bit remains set to 1 while the software reset is in progress and reverts back to 0 when the reset has completed.
15–0	RSVD	R	Reserved. Bits 15–0 return 0s when read.

8.17 Self-ID Buffer Pointer Register

The self-ID buffer pointer register points to the 2K-byte aligned base address of the buffer in host memory where the self-ID packets are stored during bus initialization. Bits 31–11 are read/write accessible. Bits 10–0 are reserved, and return 0s when read.

Bit	31	30	29	28	27	26	25	24	23	22	21	20	19	18	17	16
Name	Self-ID buffer pointer															
Type	RW	RW	RW	RW	RW	RW	RW	RW	RW	RW	RW	RW	RW	RW	RW	RW
Default	X	X	X	X	X	X	X	X	X	X	X	X	X	X	X	X
Bit	15	14	13	12	11	10	9	8	7	6	5	4	3	2	1	0
Name	Self-ID buffer pointer															
Type	RW	RW	RW	RW	RW	R	R	R	R	R	R	R	R	R	R	R
Default	X	X	X	X	X	0	0	0	0	0	0	0	0	0	0	0

Register: **Self-ID buffer pointer**
 Offset: 64h
 Type: Read/Write, Read-only
 Default: XXXX XX00h

8.18 Self-ID Count Register

The self-ID count register keeps a count of the number of times the bus self-ID process has occurred, flags self-ID packet errors, and keeps a count of the self-ID data in the self-ID buffer. See Table 8–12 for a complete description of the register contents.

Bit	31	30	29	28	27	26	25	24	23	22	21	20	19	18	17	16
Name	Self-ID count															
Type	RU	R	R	R	R	R	R	R	RU	RU	RU	RU	RU	RU	RU	RU
Default	X	0	0	0	0	0	0	0	X	X	X	X	X	X	X	X
Bit	15	14	13	12	11	10	9	8	7	6	5	4	3	2	1	0
Name	Self-ID count															
Type	R	R	R	R	R	RU	RU	RU	RU	RU	RU	RU	RU	RU	R	R
Default	0	0	0	0	0	0	0	0	0	0	0	0	0	0	0	0

Register: **Self-ID count**
 Offset: 68h
 Type: Read/Update, Read-only
 Default: X0XX 0000h

Table 8–12. Self-ID Count Register Description

BIT	FIELD NAME	TYPE	DESCRIPTION
31	selfIDError	RU	When bit 31 is set to 1, an error was detected during the most recent self-ID packet reception. The contents of the self-ID buffer are undefined. This bit is cleared after a self-ID reception in which no errors are detected. Note that an error can be a hardware error or a host bus write error.
30–24	RSVD	R	Reserved. Bits 30–24 return 0s when read.
23–16	selfIDGeneration	RU	The value in this field increments each time a bus reset is detected. This field rolls over to 0 after reaching 255.
15–11	RSVD	R	Reserved. Bits 15–11 return 0s when read.
10–2	selfIDSize	RU	This field indicates the number of quadlets that have been written into the self-ID buffer for the current bits 23–16 (selfIDGeneration field). This includes the header quadlet and the self-ID data. This field is cleared to 0s when the self-ID reception begins.
1–0	RSVD	R	Reserved. Bits 1 and 0 return 0s when read.

8.19 Isochronous Receive Channel Mask High Register

The isochronous receive channel mask high set/clear register enables packet receives from the upper 32 isochronous data channels. A read from either the set register or clear register returns the content of the isochronous receive channel mask high register. See Table 8–13 for a complete description of the register contents.

Bit	31	30	29	28	27	26	25	24	23	22	21	20	19	18	17	16
Name	Isochronous receive channel mask high															
Type	RSC	RSC	RSC	RSC	RSC	RSC	RSC	RSC	RSC	RSC	RSC	RSC	RSC	RSC	RSC	RSC
Default	X	X	X	X	X	X	X	X	X	X	X	X	X	X	X	X

Bit	15	14	13	12	11	10	9	8	7	6	5	4	3	2	1	0
Name	Isochronous receive channel mask high															
Type	RSC	RSC	RSC	RSC	RSC	RSC	RSC	RSC	RSC	RSC	RSC	RSC	RSC	RSC	RSC	RSC
Default	X	X	X	X	X	X	X	X	X	X	X	X	X	X	X	X

Register: **Isochronous receive channel mask high**
 Offset: 70h set register
 74h clear register
 Type: Read/Set/Clear
 Default: XXXX XXXXh

Table 8–13. Isochronous Receive Channel Mask High Register Description

BIT	FIELD NAME	TYPE	DESCRIPTION
31	isoChannel63	RSC	When bit 31 is set to 1, the controller is enabled to receive from isochronous channel number 63.
30	isoChannel62	RSC	When bit 30 is set to 1, the controller is enabled to receive from isochronous channel number 62.
29	isoChannel61	RSC	When bit 29 is set to 1, the controller is enabled to receive from isochronous channel number 61.
28	isoChannel60	RSC	When bit 28 is set to 1, the controller is enabled to receive from isochronous channel number 60.
27	isoChannel59	RSC	When bit 27 is set to 1, the controller is enabled to receive from isochronous channel number 59.
26	isoChannel58	RSC	When bit 26 is set to 1, the controller is enabled to receive from isochronous channel number 58.
25	isoChannel57	RSC	When bit 25 is set to 1, the controller is enabled to receive from isochronous channel number 57.
24	isoChannel56	RSC	When bit 24 is set to 1, the controller is enabled to receive from isochronous channel number 56.
23	isoChannel55	RSC	When bit 23 is set to 1, the controller is enabled to receive from isochronous channel number 55.
22	isoChannel54	RSC	When bit 22 is set to 1, the controller is enabled to receive from isochronous channel number 54.
21	isoChannel53	RSC	When bit 21 is set to 1, the controller is enabled to receive from isochronous channel number 53.
20	isoChannel52	RSC	When bit 20 is set to 1, the controller is enabled to receive from isochronous channel number 52.
19	isoChannel51	RSC	When bit 19 is set to 1, the controller is enabled to receive from isochronous channel number 51.
18	isoChannel50	RSC	When bit 18 is set to 1, the controller is enabled to receive from isochronous channel number 50.
17	isoChannel49	RSC	When bit 17 is set to 1, the controller is enabled to receive from isochronous channel number 49.
16	isoChannel48	RSC	When bit 16 is set to 1, the controller is enabled to receive from isochronous channel number 48.
15	isoChannel47	RSC	When bit 15 is set to 1, the controller is enabled to receive from isochronous channel number 47.
14	isoChannel46	RSC	When bit 14 is set to 1, the controller is enabled to receive from isochronous channel number 46.
13	isoChannel45	RSC	When bit 13 is set to 1, the controller is enabled to receive from isochronous channel number 45.
12	isoChannel44	RSC	When bit 12 is set to 1, the controller is enabled to receive from isochronous channel number 44.
11	isoChannel43	RSC	When bit 11 is set to 1, the controller is enabled to receive from isochronous channel number 43.
10	isoChannel42	RSC	When bit 10 is set to 1, the controller is enabled to receive from isochronous channel number 42.
9	isoChannel41	RSC	When bit 9 is set to 1, the controller is enabled to receive from isochronous channel number 41.
8	isoChannel40	RSC	When bit 8 is set to 1, the controller is enabled to receive from isochronous channel number 40.
7	isoChannel39	RSC	When bit 7 is set to 1, the controller is enabled to receive from isochronous channel number 39.

Table 8–13. Isochronous Receive Channel Mask High Register Description (Continued)

BIT	FIELD NAME	TYPE	DESCRIPTION
6	isoChannel38	RSC	When bit 6 is set to 1, the controller is enabled to receive from isochronous channel number 38.
5	isoChannel37	RSC	When bit 5 is set to 1, the controller is enabled to receive from isochronous channel number 37.
4	isoChannel36	RSC	When bit 4 is set to 1, the controller is enabled to receive from isochronous channel number 36.
3	isoChannel35	RSC	When bit 3 is set to 1, the controller is enabled to receive from isochronous channel number 35.
2	isoChannel34	RSC	When bit 2 is set to 1, the controller is enabled to receive from isochronous channel number 34.
1	isoChannel33	RSC	When bit 1 is set to 1, the controller is enabled to receive from isochronous channel number 33.
0	isoChannel32	RSC	When bit 0 is set to 1, the controller is enabled to receive from isochronous channel number 32.

8.20 Isochronous Receive Channel Mask Low Register

The isochronous receive channel mask low set/clear register enables packet receives from the lower 32 isochronous data channels. See Table 8–14 for a complete description of the register contents.

Bit	31	30	29	28	27	26	25	24	23	22	21	20	19	18	17	16
Name	Isochronous receive channel mask low															
Type	RSC	RSC	RSC	RSC	RSC	RSC	RSC	RSC	RSC	RSC	RSC	RSC	RSC	RSC	RSC	RSC
Default	X	X	X	X	X	X	X	X	X	X	X	X	X	X	X	X
Bit	15	14	13	12	11	10	9	8	7	6	5	4	3	2	1	0
Name	Isochronous receive channel mask low															
Type	RSC	RSC	RSC	RSC	RSC	RSC	RSC	RSC	RSC	RSC	RSC	RSC	RSC	RSC	RSC	RSC
Default	X	X	X	X	X	X	X	X	X	X	X	X	X	X	X	X

Register: **Isochronous receive channel mask low**

Offset: 78h set register

7Ch clear register

Type: Read/Set/Clear

Default: XXXX XXXXh

Table 8–14. Isochronous Receive Channel Mask Low Register Description

BIT	FIELD NAME	TYPE	DESCRIPTION
31	isoChannel31	RSC	When bit 31 is set to 1, the controller is enabled to receive from isochronous channel number 31.
30	isoChannel30	RSC	When bit 30 is set to 1, the controller is enabled to receive from isochronous channel number 30.
29–2	isoChanneln	RSC	Bits 29 through 2 (isoChanneln, where n = 29, 28, 27, ..., 2) follow the same pattern as bits 31 and 30.
1	isoChannel1	RSC	When bit 1 is set to 1, the controller is enabled to receive from isochronous channel number 1.
0	isoChannel0	RSC	When bit 0 is set to 1, the controller is enabled to receive from isochronous channel number 0.

8.21 Interrupt Event Register

The interrupt event set/clear register reflects the state of the various PCI7x21/PCI7x11 interrupt sources. The interrupt bits are set to 1 by an asserting edge of the corresponding interrupt signal or by writing a 1 in the corresponding bit in the set register. The only mechanism to clear a bit in this register is to write a 1 to the corresponding bit in the clear register.

This register is fully compliant with the *1394 Open Host Controller Interface Specification*, and the PCI7x21/PCI7x11 controller adds a vendor-specific interrupt function to bit 30. When the interrupt event register is read, the return value is the bit-wise AND function of the interrupt event and interrupt mask registers. See Table 8–15 for a complete description of the register contents.

Bit	31	30	29	28	27	26	25	24	23	22	21	20	19	18	17	16
Name	Interrupt event															
Type	R	RSC	RSC	R	RSCU	RSCU	RSCU	RSCU	RSCU	RSCU	RSCU	RSCU	RSCU	RSCU	RSCU	RSCU
Default	0	X	0	0	0	X	X	X	X	X	X	X	X	0	X	X

Bit	15	14	13	12	11	10	9	8	7	6	5	4	3	2	1	0
Name	Interrupt event															
Type	RSCU	R	R	R	R	R	RSCU	RSCU	RU	RU	RSCU	RSCU	RSCU	RSCU	RSCU	RSCU
Default	0	0	0	0	0	0	X	X	X	X	X	X	X	X	X	X

Register: **Interrupt event**
 Offset: 80h set register
 84h clear register [returns the content of the interrupt event register bit-wise ANDed with the interrupt mask register when read]
 Type: Read/Set/Clear/Update, Read/Set/Clear, Read/Update, Read-only
 Default: XXXX 0XXXh

Table 8–15. Interrupt Event Register Description

BIT	FIELD NAME	TYPE	DESCRIPTION
31–30	RSVD	R	Reserved. Bits 31 and 30 return 0 when read.
29	SoftInterrupt	RSC	Bit 29 is used by software to generate a PCI7x21/PCI7x11 interrupt for its own use.
28	RSVD	R	Reserved. Bit 28 returns 0 when read.
27	ack_tardy	RSCU	Bit 27 is set to 1 when bit 29 (AckTardyEnable) in the host controller control register at OHCI offset 50h/54h (see Section 8.16) is set to 1 and any of the following conditions occur: a. Data is present in a receive FIFO that is to be delivered to the host. b. The physical response unit is busy processing requests or sending responses. c. The PCI7x21/PCI7x11 controller sent an ack_tardy acknowledgment.
26	phyRegRcvd	RSCU	The PCI7x21/PCI7x11 controller has received a PHY register data byte which can be read from bits 23–16 in the PHY layer control register at OHCI offset ECh (see Section 8.33).
25	cycleTooLong	RSCU	If bit 21 (cycleMaster) in the link control register at OHCI offset E0h/E4h (see Section 8.31) is set to 1, then this indicates that over 125 μs has elapsed between the start of sending a cycle start packet and the end of a subaction gap. Bit 21 (cycleMaster) in the link control register is cleared by this event.
24	unrecoverableError	RSCU	This event occurs when the PCI7x21/PCI7x11 controller encounters any error that forces it to stop operations on any or all of its subunits, for example, when a DMA context sets its dead bit to 1. While bit 24 is set to 1, all normal interrupts for the context(s) that caused this interrupt are blocked from being set to 1.
23	cycleInconsistent	RSCU	A cycle start was received that had values for the cycleSeconds and cycleCount fields that are different from the values in bits 31–25 (cycleSeconds field) and bits 24–12 (cycleCount field) in the isochronous cycle timer register at OHCI offset F0h (see Section 8.34).

Table 8–15. Interrupt Event Register Description (Continued)

BIT	FIELD NAME	TYPE	DESCRIPTION
22	cycleLost	RSCU	A lost cycle is indicated when no cycle_start packet is sent or received between two successive cycleSynch events. A lost cycle can be predicted when a cycle_start packet does not immediately follow the first subaction gap after the cycleSynch event or if an arbitration reset gap is detected after a cycleSynch event without an intervening cycle start. Bit 22 may be set to 1 either when a lost cycle occurs or when logic predicts that one will occur.
21	cycle64Seconds	RSCU	Indicates that the seventh bit of the cycle second counter has changed.
20	cycleSynch	RSCU	Indicates that a new isochronous cycle has started. Bit 20 is set to 1 when the low-order bit of the cycle count toggles.
19	phy	RSCU	Indicates that the PHY layer requests an interrupt through a status transfer.
18	regAccessFail	RSCU	Indicates that a PCI7x21/PCI7x11 register access has failed due to a missing SCLK clock signal from the PHY layer. When a register access fails, bit 18 is set to 1 before the next register access.
17	busReset	RSCU	Indicates that the PHY layer has entered bus reset mode.
16	selfIDcomplete	RSCU	A self-ID packet stream has been received. It is generated at the end of the bus initialization process. Bit 16 is turned off simultaneously when bit 17 (busReset) is turned on.
15	selfIDcomplete2	RSCU	Secondary indication of the end of a self-ID packet stream. Bit 15 is set to 1 by the PCI7x21/PCI7x11 controller when it sets bit 16 (selfIDcomplete), and retains the state, independent of bit 17 (busReset).
14–10	RSVD	R	Reserved. Bits 14–10 return 0s when read.
9	lockRespErr	RSCU	Indicates that the PCI7x21/PCI7x11 controller sent a lock response for a lock request to a serial bus register, but did not receive an ack_complete.
8	postedWriteErr	RSCU	Indicates that a host bus error occurred while the PCI7x21/PCI7x11 controller was trying to write a 1394 write request, which had already been given an ack_complete, into system memory.
7	isochRx	RU	Isochronous receive DMA interrupt. Indicates that one or more isochronous receive contexts have generated an interrupt. This is not a latched event; it is the logical OR of all bits in the isochronous receive interrupt event register at OHCI offset A0h/A4h (see Section 8.25) and isochronous receive interrupt mask register at OHCI offset A8h/ACh (see Section 8.26). The isochronous receive interrupt event register indicates which contexts have been interrupted.
6	isochTx	RU	Isochronous transmit DMA interrupt. Indicates that one or more isochronous transmit contexts have generated an interrupt. This is not a latched event; it is the logical OR of all bits in the isochronous transmit interrupt event register at OHCI offset 90h/94h (see Section 8.23) and isochronous transmit interrupt mask register at OHCI offset 98h/9Ch (see Section 8.24). The isochronous transmit interrupt event register indicates which contexts have been interrupted.
5	RSPkt	RSCU	Indicates that a packet was sent to an asynchronous receive response context buffer and the descriptor xferStatus and resCount fields have been updated.
4	RQPkt	RSCU	Indicates that a packet was sent to an asynchronous receive request context buffer and the descriptor xferStatus and resCount fields have been updated.
3	ARRS	RSCU	Asynchronous receive response DMA interrupt. Bit 3 is conditionally set to 1 upon completion of an ARRS DMA context command descriptor.
2	ARRQ	RSCU	Asynchronous receive request DMA interrupt. Bit 2 is conditionally set to 1 upon completion of an ARRQ DMA context command descriptor.
1	respTxComplete	RSCU	Asynchronous response transmit DMA interrupt. Bit 1 is conditionally set to 1 upon completion of an ATRS DMA command.
0	reqTxComplete	RSCU	Asynchronous request transmit DMA interrupt. Bit 0 is conditionally set to 1 upon completion of an ATRQ DMA command.

8.22 Interrupt Mask Register

The interrupt mask set/clear register enables the various PCI7x21/PCI7x11 interrupt sources. Reads from either the set register or the clear register always return the contents of the interrupt mask register. In all cases except masterIntEnable (bit 31) and vendorSpecific (bit 30), the enables for each interrupt event align with the interrupt event register bits detailed in Table 8–15.

This register is fully compliant with the *1394 Open Host Controller Interface Specification* and the PCI7x21/PCI7x11 controller adds an interrupt function to bit 30. See Table 8–16 for a complete description of bits 31 and 30.

Bit	31	30	29	28	27	26	25	24	23	22	21	20	19	18	17	16
Name	Interrupt mask															
Type	RSCU	RSC	RSC	R	RSC	RSC	RSC	RSC	RSC	RSC	RSC	RSC	RSC	RSC	RSC	RSC
Default	X	X	0	0	0	X	X	X	X	X	X	X	X	0	X	X
Bit	15	14	13	12	11	10	9	8	7	6	5	4	3	2	1	0
Name	Interrupt mask															
Type	RSC	R	R	R	R	R	RSC	RSC	RSC	RSC	RSC	RSC	RSC	RSC	RSC	RSC
Default	0	0	0	0	0	0	X	X	X	X	X	X	X	X	X	X

Register: **Interrupt mask**
 Offset: 88h set register
 8Ch clear register
 Type: Read/Set/Clear/Update, Read/Set/Clear, Read/Update, Read-only
 Default: XXXX 0XXXh

Table 8–16. Interrupt Mask Register Description

BIT	FIELD NAME	TYPE	DESCRIPTION
31	masterIntEnable	RSCU	Master interrupt enable. If bit 31 is set to 1, then external interrupts are generated in accordance with the interrupt mask register. If this bit is cleared, then external interrupts are not generated regardless of the interrupt mask register settings.
30	VendorSpecific	RSC	When this bit and bit 30 (vendorSpecific) in the interrupt event register at OHCI offset 80h/84h (see Section 8.21) are set to 1, this vendor-specific interrupt mask enables interrupt generation.
29	SoftInterrupt	RSC	When this bit and bit 29 (SoftInterrupt) in the interrupt event register at OHCI offset 80h/84h (see Section 8.21) are set to 1, this soft-interrupt mask enables interrupt generation.
28	RSVD	R	Reserved. Bit 28 returns 0 when read.
27	ack_tardy	RSC	When this bit and bit 27 (ack_tardy) in the interrupt event register at OHCI offset 80h/84h (see Section 8.21) are set to 1, this acknowledge-tardy interrupt mask enables interrupt generation.
26	phyRegRcvd	RSC	When this bit and bit 26 (phyRegRcvd) in the interrupt event register at OHCI offset 80h/84h (see Section 8.21) are set to 1, this PHY-register interrupt mask enables interrupt generation.
25	cycleTooLong	RSC	When this bit and bit 25 (cycleTooLong) in the interrupt event register at OHCI offset 80h/84h (see Section 8.21) are set to 1, this cycle-too-long interrupt mask enables interrupt generation.
24	unrecoverableError	RSC	When this bit and bit 24 (unrecoverableError) in the interrupt event register at OHCI offset 80h/84h (see Section 8.21) are set to 1, this unrecoverable-error interrupt mask enables interrupt generation.
23	cycleInconsistent	RSC	When this bit and bit 23 (cycleInconsistent) in the interrupt event register at OHCI offset 80h/84h (see Section 8.21) are set to 1, this inconsistent-cycle interrupt mask enables interrupt generation.
22	cycleLost	RSC	When this bit and bit 22 (cycleLost) in the interrupt event register at OHCI offset 80h/84h (see Section 8.21) are set to 1, this lost-cycle interrupt mask enables interrupt generation.
21	cycle64Seconds	RSC	When this bit and bit 21 (cycle64Seconds) in the interrupt event register at OHCI offset 80h/84h (see Section 8.21) are set to 1, this 64-second-cycle interrupt mask enables interrupt generation.
20	cycleSynch	RSC	When this bit and bit 20 (cycleSynch) in the interrupt event register at OHCI offset 80h/84h (see Section 8.21) are set to 1, this isochronous-cycle interrupt mask enables interrupt generation.
19	phy	RSC	When this bit and bit 19 (phy) in the interrupt event register at OHCI offset 80h/84h (see Section 8.21) are set to 1, this PHY-status-transfer interrupt mask enables interrupt generation.

Table 8–16. Interrupt Mask Register Description (Continued)

BIT	FIELD NAME	TYPE	DESCRIPTION
18	regAccessFail	RSC	When this bit and bit 18 (regAccessFail) in the interrupt event register at OHCI offset 80h/84h (see Section 8.21) are set to 1, this register-access-failed interrupt mask enables interrupt generation.
17	busReset	RSC	When this bit and bit 17 (busReset) in the interrupt event register at OHCI offset 80h/84h (see Section 8.21) are set to 1, this bus-reset interrupt mask enables interrupt generation.
16	selfIDcomplete	RSC	When this bit and bit 16 (selfIDcomplete) in the interrupt event register at OHCI offset 80h/84h (see Section 8.21) are set to 1, this self-ID-complete interrupt mask enables interrupt generation.
15	selfIDcomplete2	RSC	When this bit and bit 15 (selfIDcomplete2) in the interrupt event register at OHCI offset 80h/84h (see Section 8.21) are set to 1, this second-self-ID-complete interrupt mask enables interrupt generation.
14–10	RSVD	R	Reserved. Bits 14–10 return 0s when read.
9	lockRespErr	RSC	When this bit and bit 9 (lockRespErr) in the interrupt event register at OHCI offset 80h/84h (see Section 8.21) are set to 1, this lock-response-error interrupt mask enables interrupt generation.
8	postedWriteErr	RSC	When this bit and bit 8 (postedWriteErr) in the interrupt event register at OHCI offset 80h/84h (see Section 8.21) are set to 1, this posted-write-error interrupt mask enables interrupt generation.
7	isochRx	RSC	When this bit and bit 7 (isochRx) in the interrupt event register at OHCI offset 80h/84h (see Section 8.21) are set to 1, this isochronous-receive-DMA interrupt mask enables interrupt generation.
6	isochTx	RSC	When this bit and bit 6 (isochTx) in the interrupt event register at OHCI offset 80h/84h (see Section 8.21) are set to 1, this isochronous-transmit-DMA interrupt mask enables interrupt generation.
5	RSPkt	RSC	When this bit and bit 5 (RSPkt) in the interrupt event register at OHCI offset 80h/84h (see Section 8.21) are set to 1, this receive-response-packet interrupt mask enables interrupt generation.
4	RQPkt	RSC	When this bit and bit 4 (RQPkt) in the interrupt event register at OHCI offset 80h/84h (see Section 8.21) are set to 1, this receive-request-packet interrupt mask enables interrupt generation.
3	ARRS	RSC	When this bit and bit 3 (ARRS) in the interrupt event register at OHCI offset 80h/84h (see Section 8.21) are set to 1, this asynchronous-receive-response-DMA interrupt mask enables interrupt generation.
2	ARRQ	RSC	When this bit and bit 2 (ARRQ) in the interrupt event register at OHCI offset 80h/84h (see Section 8.21) are set to 1, this asynchronous-receive-request-DMA interrupt mask enables interrupt generation.
1	respTxComplete	RSC	When this bit and bit 1 (respTxComplete) in the interrupt event register at OHCI offset 80h/84h (see Section 8.21) are set to 1, this response-transmit-complete interrupt mask enables interrupt generation.
0	reqTxComplete	RSC	When this bit and bit 0 (reqTxComplete) in the interrupt event register at OHCI offset 80h/84h (see Section 8.21) are set to 1, this request-transmit-complete interrupt mask enables interrupt generation.

8.23 Isochronous Transmit Interrupt Event Register

The isochronous transmit interrupt event set/clear register reflects the interrupt state of the isochronous transmit contexts. An interrupt is generated on behalf of an isochronous transmit context if an OUTPUT_LAST* command completes and its interrupt bits are set to 1. Upon determining that the isochTx (bit 6) interrupt has occurred in the interrupt event register at OHCI offset 80h/84h (see Section 8.21), software can check this register to determine which context(s) caused the interrupt. The interrupt bits are set to 1 by an asserting edge of the corresponding interrupt signal, or by writing a 1 in the corresponding bit in the set register. The only mechanism to clear a bit in this register is to write a 1 to the corresponding bit in the clear register. See Table 8–17 for a complete description of the register contents.

Bit	31	30	29	28	27	26	25	24	23	22	21	20	19	18	17	16
Name	Isochronous transmit interrupt event															
Type	R	R	R	R	R	R	R	R	R	R	R	R	R	R	R	R
Default	0	0	0	0	0	0	0	0	0	0	0	0	0	0	0	0
Bit	15	14	13	12	11	10	9	8	7	6	5	4	3	2	1	0
Name	Isochronous transmit interrupt event															
Type	R	R	R	R	R	R	R	R	RSC	RSC	RSC	RSC	RSC	RSC	RSC	RSC
Default	0	0	0	0	0	0	0	0	X	X	X	X	X	X	X	X

Register: **Isochronous transmit interrupt event**
 Offset: 90h set register
 94h clear register [returns the contents of the isochronous transmit interrupt event register bit-wise ANDed with the isochronous transmit interrupt mask register when read]
 Type: Read/Set/Clear, Read-only
 Default: 0000 00XXh

Table 8–17. Isochronous Transmit Interrupt Event Register Description

BIT	FIELD NAME	TYPE	DESCRIPTION
31–8	RSVD	R	Reserved. Bits 31–8 return 0s when read.
7	isoXmit7	RSC	Isochronous transmit channel 7 caused the interrupt event register bit 6 (isochTx) interrupt.
6	isoXmit6	RSC	Isochronous transmit channel 6 caused the interrupt event register bit 6 (isochTx) interrupt.
5	isoXmit5	RSC	Isochronous transmit channel 5 caused the interrupt event register bit 6 (isochTx) interrupt.
4	isoXmit4	RSC	Isochronous transmit channel 4 caused the interrupt event register bit 6 (isochTx) interrupt.
3	isoXmit3	RSC	Isochronous transmit channel 3 caused the interrupt event register bit 6 (isochTx) interrupt.
2	isoXmit2	RSC	Isochronous transmit channel 2 caused the interrupt event register bit 6 (isochTx) interrupt.
1	isoXmit1	RSC	Isochronous transmit channel 1 caused the interrupt event register bit 6 (isochTx) interrupt.
0	isoXmit0	RSC	Isochronous transmit channel 0 caused the interrupt event register bit 6 (isochTx) interrupt.

8.24 Isochronous Transmit Interrupt Mask Register

The isochronous transmit interrupt mask set/clear register enables the isochTx interrupt source on a per-channel basis. Reads from either the set register or the clear register always return the contents of the isochronous transmit interrupt mask register. In all cases the enables for each interrupt event align with the isochronous transmit interrupt event register bits detailed in Table 8–17.

Bit	31	30	29	28	27	26	25	24	23	22	21	20	19	18	17	16
Name	Isochronous transmit interrupt mask															
Type	R	R	R	R	R	R	R	R	R	R	R	R	R	R	R	R
Default	0	0	0	0	0	0	0	0	0	0	0	0	0	0	0	0
Bit	15	14	13	12	11	10	9	8	7	6	5	4	3	2	1	0
Name	Isochronous transmit interrupt mask															
Type	R	R	R	R	R	R	R	R	RSC	RSC	RSC	RSC	RSC	RSC	RSC	RSC
Default	0	0	0	0	0	0	0	0	X	X	X	X	X	X	X	X

Register: **Isochronous transmit interrupt mask**
 Offset: 98h set register
 9Ch clear register
 Type: Read/Set/Clear, Read-only
 Default: 0000 00XXh

8.25 Isochronous Receive Interrupt Event Register

The isochronous receive interrupt event set/clear register reflects the interrupt state of the isochronous receive contexts. An interrupt is generated on behalf of an isochronous receive context if an INPUT_* command completes and its interrupt bits are set to 1. Upon determining that the isoChRx (bit 7) interrupt in the interrupt event register at OHCI offset 80h/84h (see Section 8.21) has occurred, software can check this register to determine which context(s) caused the interrupt. The interrupt bits are set to 1 by an asserting edge of the corresponding interrupt signal or by writing a 1 in the corresponding bit in the set register. The only mechanism to clear a bit in this register is to write a 1 to the corresponding bit in the clear register. See Table 8–18 for a complete description of the register contents.

Bit	31	30	29	28	27	26	25	24	23	22	21	20	19	18	17	16
Name	Isochronous receive interrupt event															
Type	R	R	R	R	R	R	R	R	R	R	R	R	R	R	R	R
Default	0	0	0	0	0	0	0	0	0	0	0	0	0	0	0	0
Bit	15	14	13	12	11	10	9	8	7	6	5	4	3	2	1	0
Name	Isochronous receive interrupt event															
Type	R	R	R	R	R	R	R	R	R	R	R	R	RSC	RSC	RSC	RSC
Default	0	0	0	0	0	0	0	0	0	0	0	0	X	X	X	X

Register: **Isochronous receive interrupt event**
 Offset: A0h set register
 A4h clear register [returns the contents of isochronous receive interrupt event register bit-wise ANDed with the isochronous receive mask register when read]
 Type: Read/Set/Clear, Read-only
 Default: 0000 000Xh

Table 8–18. Isochronous Receive Interrupt Event Register Description

BIT	FIELD NAME	TYPE	DESCRIPTION
31–4	RSVD	R	Reserved. Bits 31–4 return 0s when read.
3	isoRecv3	RSC	Isochronous receive channel 3 caused the interrupt event register bit 7 (isoChRx) interrupt.
2	isoRecv2	RSC	Isochronous receive channel 2 caused the interrupt event register bit 7 (isoChRx) interrupt.
1	isoRecv1	RSC	Isochronous receive channel 1 caused the interrupt event register bit 7 (isoChRx) interrupt.
0	isoRecv0	RSC	Isochronous receive channel 0 caused the interrupt event register bit 7 (isoChRx) interrupt.

8.26 Isochronous Receive Interrupt Mask Register

The isochronous receive interrupt mask set/clear register enables the isochRx interrupt source on a per-channel basis. Reads from either the set register or the clear register always return the contents of the isochronous receive interrupt mask register. In all cases the enables for each interrupt event align with the isochronous receive interrupt event register bits detailed in Table 8–18.

Bit	31	30	29	28	27	26	25	24	23	22	21	20	19	18	17	16
Name	Isochronous receive interrupt mask															
Type	R	R	R	R	R	R	R	R	R	R	R	R	R	R	R	R
Default	0	0	0	0	0	0	0	0	0	0	0	0	0	0	0	0
Bit	15	14	13	12	11	10	9	8	7	6	5	4	3	2	1	0
Name	Isochronous receive interrupt mask															
Type	R	R	R	R	R	R	R	R	R	R	R	R	RSC	RSC	RSC	RSC
Default	0	0	0	0	0	0	0	0	0	0	0	0	X	X	X	X

Register: **Isochronous receive interrupt mask**
 Offset: A8h set register
 ACh clear register
 Type: Read/Set/Clear, Read-only
 Default: 0000 000Xh

8.27 Initial Bandwidth Available Register

The initial bandwidth available register value is loaded into the corresponding bus management CSR register on a system (hardware) or software reset. See Table 8–19 for a complete description of the register contents.

Bit	31	30	29	28	27	26	25	24	23	22	21	20	19	18	17	16
Name	Initial bandwidth available															
Type	R	R	R	R	R	R	R	R	R	R	R	R	R	R	R	R
Default	0	0	0	0	0	0	0	0	0	0	0	0	0	0	0	0
Bit	15	14	13	12	11	10	9	8	7	6	5	4	3	2	1	0
Name	Initial bandwidth available															
Type	R	R	R	RW	RW	RW	RW	RW	RW	RW	RW	RW	RW	RW	RW	RW
Default	0	0	0	1	0	0	1	1	0	0	1	1	0	0	1	1

Register: **Initial bandwidth available**
 Offset: B0h
 Type: Read-only, Read/Write
 Default: 0000 1333h

Table 8–19. Initial Bandwidth Available Register Description

BIT	FIELD NAME	TYPE	DESCRIPTION
31–13	RSVD	R	Reserved. Bits 31–13 return 0s when read.
12–0	InitBWAvailable	RW	This field is reset to 1333h on a system (hardware) or software reset, and is not affected by a 1394 bus reset. The value of this field is loaded into the BANDWIDTH_AVAILABLE CSR register upon a GRST, PRST, or a 1394 bus reset.

8.28 Initial Channels Available High Register

The initial channels available high register value is loaded into the corresponding bus management CSR register on a system (hardware) or software reset. See Table 8–20 for a complete description of the register contents.

Bit	31	30	29	28	27	26	25	24	23	22	21	20	19	18	17	16
Name	Initial channels available high															
Type	RW	RW	RW	RW	RW	RW	RW	RW	RW	RW	RW	RW	RW	RW	RW	RW
Default	1	1	1	1	1	1	1	1	1	1	1	1	1	1	1	1
Bit	15	14	13	12	11	10	9	8	7	6	5	4	3	2	1	0
Name	Initial channels available high															
Type	RW	RW	RW	RW	RW	RW	RW	RW	RW	RW	RW	RW	RW	RW	RW	RW
Default	1	1	1	1	1	1	1	1	1	1	1	1	1	1	1	1

Register: **Initial channels available high**

Offset: B4h

Type: Read/Write

Default: FFFF FFFFh

Table 8–20. Initial Channels Available High Register Description

BIT	FIELD NAME	TYPE	DESCRIPTION
31–0	InitChanAvailHi	RW	This field is reset to FFFF_FFFFh on a system (hardware) or software reset, and is not affected by a 1394 bus reset. The value of this field is loaded into the CHANNELS_AVAILABLE_HI CSR register upon a GRST, PRST, or a 1394 bus reset.

8.29 Initial Channels Available Low Register

The initial channels available low register value is loaded into the corresponding bus management CSR register on a system (hardware) or software reset. See Table 8–21 for a complete description of the register contents.

Bit	31	30	29	28	27	26	25	24	23	22	21	20	19	18	17	16
Name	Initial channels available low															
Type	RW	RW	RW	RW	RW	RW	RW	RW	RW	RW	RW	RW	RW	RW	RW	RW
Default	1	1	1	1	1	1	1	1	1	1	1	1	1	1	1	1
Bit	15	14	13	12	11	10	9	8	7	6	5	4	3	2	1	0
Name	Initial channels available low															
Type	RW	RW	RW	RW	RW	RW	RW	RW	RW	RW	RW	RW	RW	RW	RW	RW
Default	1	1	1	1	1	1	1	1	1	1	1	1	1	1	1	1

Register: **Initial channels available low**

Offset: B8h

Type: Read/Write

Default: FFFF FFFFh

Table 8–21. Initial Channels Available Low Register Description

BIT	FIELD NAME	TYPE	DESCRIPTION
31–0	InitChanAvailLo	RW	This field is reset to FFFF_FFFFh on a system (hardware) or software reset, and is not affected by a 1394 bus reset. The value of this field is loaded into the CHANNELS_AVAILABLE_LO CSR register upon a GRST, PRST, or a 1394 bus reset.

8.30 Fairness Control Register

The fairness control register provides a mechanism by which software can direct the host controller to transmit multiple asynchronous requests during a fairness interval. See Table 8–22 for a complete description of the register contents.

Bit	31	30	29	28	27	26	25	24	23	22	21	20	19	18	17	16
Name	Fairness control															
Type	R	R	R	R	R	R	R	R	R	R	R	R	R	R	R	R
Default	0	0	0	0	0	0	0	0	0	0	0	0	0	0	0	0
Bit	15	14	13	12	11	10	9	8	7	6	5	4	3	2	1	0
Name	Fairness control															
Type	R	R	R	R	R	R	R	R	RW	RW	RW	RW	RW	RW	RW	RW
Default	0	0	0	0	0	0	0	0	0	0	0	0	0	0	0	0

Register: **Fairness control**
 Offset: DCh
 Type: Read-only
 Default: 0000 0000h

Table 8–22. Fairness Control Register Description

BIT	FIELD NAME	TYPE	DESCRIPTION
31–8	RSVD	R	Reserved. Bits 31–8 return 0s when read.
7–0	pri_req	RW	This field specifies the maximum number of priority arbitration requests for asynchronous request packets that the link is permitted to make of the PHY layer during a fairness interval. The default value for this field is 00h.

8.31 Link Control Register

The link control set/clear register provides the control flags that enable and configure the link core protocol portions of the PCI7x21/PCI7x11 controller. It contains controls for the receiver and cycle timer. See Table 8–23 for a complete description of the register contents.

Bit	31	30	29	28	27	26	25	24	23	22	21	20	19	18	17	16
Name	Link control															
Type	R	R	R	R	R	R	R	R	R	RSC	RSCU	RSC	R	R	R	R
Default	0	0	0	0	0	0	0	0	0	X	X	X	0	0	0	0
Bit	15	14	13	12	11	10	9	8	7	6	5	4	3	2	1	0
Name	Link control															
Type	R	R	R	R	R	RSC	RSC	R	R	RS	R	R	R	R	R	R
Default	0	0	0	0	0	X	X	0	0	0	0	0	0	0	0	0

Register: **Link control**
 Offset: E0h set register
 E4h clear register
 Type: Read/Set/Clear/Update, Read/Set/Clear, Read-only
 Default: 00X0 0X00h

Table 8–23. Link Control Register Description

BIT	FIELD NAME	TYPE	DESCRIPTION
31–23	RSVD	R	Reserved. Bits 31–23 return 0s when read.
22	cycleSource	RSC	When bit 22 is set to 1, the cycle timer uses an external source (CYCLEIN) to determine when to roll over the cycle timer. When this bit is cleared, the cycle timer rolls over when the timer reaches 3072 cycles of the 24.576-MHz clock (125 μs).
21	cycleMaster	RSCU	When bit 21 is set to 1, the PCI7x21/PCI7x11 controller is root and it generates a cycle start packet every time the cycle timer rolls over, based on the setting of bit 22 (cycleSource). When bit 21 is cleared, the OHCI-Lynx™ accepts received cycle start packets to maintain synchronization with the node which is sending them. Bit 21 is automatically cleared when bit 25 (cycleTooLong) in the interrupt event register at OHCI offset 80h/84h (see Section 8.21) is set to 1. Bit 21 cannot be set to 1 until bit 25 (cycleTooLong) is cleared.
20	CycleTimerEnable	RSC	When bit 20 is set to 1, the cycle timer offset counts cycles of the 24.576-MHz clock and rolls over at the appropriate time, based on the settings of the above bits. When this bit is cleared, the cycle timer offset does not count.
19–11	RSVD	R	Reserved. Bits 19–11 return 0s when read.
10	RcvPhyPkt	RSC	When bit 10 is set to 1, the receiver accepts incoming PHY packets into the AR request context if the AR request context is enabled. This bit does not control receipt of self-identification packets.
9	RcvSelfID	RSC	When bit 9 is set to 1, the receiver accepts incoming self-identification packets. Before setting this bit to 1, software must ensure that the self-ID buffer pointer register contains a valid address.
8–7	RSVD	R	Reserved. Bits 8 and 7 return 0s when read.
6 ‡	tag1SyncFilterLock	RS	When bit 6 is set to 1, bit 6 (tag1SyncFilter) in the isochronous receive context match register (see Section 8.46) is set to 1 for all isochronous receive contexts. When bit 6 is cleared, bit 6 (tag1SyncFilter) in the isochronous receive context match register has read/write access. This bit is cleared when $\overline{\text{GRST}}$ is asserted.
5–0	RSVD	R	Reserved. Bits 5–0 return 0s when read.

‡ This bit is cleared only by the assertion of $\overline{\text{GRST}}$.

8.32 Node Identification Register

The node identification register contains the address of the node on which the OHCI-Lynx™ chip resides, and indicates the valid node number status. The 16-bit combination of the busNumber field (bits 15–6) and the NodeNumber field (bits 5–0) is referred to as the node ID. See Table 8–24 for a complete description of the register contents.

Bit	31	30	29	28	27	26	25	24	23	22	21	20	19	18	17	16
Name	Node identification															
Type	RU	RU	R	R	RU	R	R	R	R	R	R	R	R	R	R	R
Default	0	0	0	0	0	0	0	0	0	0	0	0	0	0	0	0
Bit	15	14	13	12	11	10	9	8	7	6	5	4	3	2	1	0
Name	Node identification															
Type	RWU	RWU	RWU	RWU	RWU	RWU	RWU	RWU	RWU	RWU	RU	RU	RU	RU	RU	RU
Default	1	1	1	1	1	1	1	1	1	1	X	X	X	X	X	X

Register: **Node identification**
 Offset: E8h
 Type: Read/Write/Update, Read/Update, Read-only
 Default: 0000 FFXXh

Table 8–24. Node Identification Register Description

BIT	FIELD NAME	TYPE	DESCRIPTION
31	iDValid	RU	Bit 31 indicates whether or not the PCI7x21/PCI7x11 controller has a valid node number. It is cleared when a 1394 bus reset is detected and set to 1 when the PCI7x21/PCI7x11 controller receives a new node number from its PHY layer.
30	root	RU	Bit 30 is set to 1 during the bus reset process if the attached PHY layer is root.
29–28	RSVD	R	Reserved. Bits 29 and 28 return 0s when read.
27	CPS	RU	Bit 27 is set to 1 if the PHY layer is reporting that cable power status is OK.
26–16	RSVD	R	Reserved. Bits 26–16 return 0s when read.
15–6	busNumber	RWU	This field identifies the specific 1394 bus the PCI7x21/PCI7x11 controller belongs to when multiple 1394-compatible buses are connected via a bridge. The default value for this field is all 1s.
5–0	NodeNumber	RU	This field is the physical node number established by the PHY layer during self-identification. It is automatically set to the value received from the PHY layer after the self-identification phase. If the PHY layer sets the nodeNumber to 63, then software must not set bit 15 (run) in the asynchronous context control register (see Section 8.40) for either of the AT DMA contexts.

8.33 PHY Layer Control Register

The PHY layer control register reads from or writes to a PHY register. See Table 8–25 for a complete description of the register contents.

Bit	31	30	29	28	27	26	25	24	23	22	21	20	19	18	17	16
Name	PHY layer control															
Type	RU	R	R	R	RU	RU	RU	RU	RU	RU	RU	RU	RU	RU	RU	RU
Default	0	0	0	0	0	0	0	0	0	0	0	0	0	0	0	0
Bit	15	14	13	12	11	10	9	8	7	6	5	4	3	2	1	0
Name	PHY layer control															
Type	RWU	RWU	R	R	RW	RW	RW	RW	RW	RW	RW	RW	RW	RW	RW	RW
Default	0	0	0	0	0	0	0	0	0	0	0	0	0	0	0	0

Register: **PHY layer control**
 Offset: ECh
 Type: Read/Write/Update, Read/Write, Read/Update, Read-only
 Default: 0000 0000h

Table 8–25. PHY Control Register Description

BIT	FIELD NAME	TYPE	DESCRIPTION
31	rdDone	RU	Bit 31 is cleared to 0 by the PCI7x21/PCI7x11 controller when either bit 15 (rdReg) or bit 14 (wrReg) is set to 1. This bit is set to 1 when a register transfer is received from the PHY layer.
30–28	RSVD	R	Reserved. Bits 30–28 return 0s when read.
27–24	rdAddr	RU	This field is the address of the register most recently received from the PHY layer.
23–16	rdData	RU	This field is the contents of a PHY register that has been read.
15	rdReg	RWU	Bit 15 is set to 1 by software to initiate a read request to a PHY register, and is cleared by hardware when the request has been sent. Bits 14 (wrReg) and 15 (rdReg) must not both be set to 1 simultaneously.
14	wrReg	RWU	Bit 14 is set to 1 by software to initiate a write request to a PHY register, and is cleared by hardware when the request has been sent. Bits 14 (wrReg) and 15 (rdReg) must not both be set to 1 simultaneously.
13–12	RSVD	R	Reserved. Bits 13 and 12 return 0s when read.
11–8	regAddr	RW	This field is the address of the PHY register to be written or read. The default value for this field is 0h.
7–0	wrData	RW	This field is the data to be written to a PHY register and is ignored for reads. The default value for this field is 00h.

8.34 Isochronous Cycle Timer Register

The isochronous cycle timer register indicates the current cycle number and offset. When the PCI7x21/PCI7x11 controller is cycle master, this register is transmitted with the cycle start message. When the PCI7x21/PCI7x11 controller is not cycle master, this register is loaded with the data field in an incoming cycle start. In the event that the cycle start message is not received, the fields can continue incrementing on their own (if programmed) to maintain a local time reference. See Table 8–26 for a complete description of the register contents.

Bit	31	30	29	28	27	26	25	24	23	22	21	20	19	18	17	16
Name	Isochronous cycle timer															
Type	RWU	RWU	RWU	RWU	RWU	RWU	RWU	RWU	RWU	RWU	RWU	RWU	RWU	RWU	RWU	RWU
Default	X	X	X	X	X	X	X	X	X	X	X	X	X	X	X	X
Bit	15	14	13	12	11	10	9	8	7	6	5	4	3	2	1	0
Name	Isochronous cycle timer															
Type	RWU	RWU	RWU	RWU	RWU	RWU	RWU	RWU	RWU	RWU	RWU	RWU	RWU	RWU	RWU	RWU
Default	X	X	X	X	X	X	X	X	X	X	X	X	X	X	X	X

Register: **Isochronous cycle timer**
 Offset: F0h
 Type: Read/Write/Update
 Default: XXXX XXXXh

Table 8–26. Isochronous Cycle Timer Register Description

BIT	FIELD NAME	TYPE	DESCRIPTION
31–25	cycleSeconds	RWU	This field counts seconds [rollovers from bits 24–12 (cycleCount field)] modulo 128.
24–12	cycleCount	RWU	This field counts cycles [rollovers from bits 11–0 (cycleOffset field)] modulo 8000.
11–0	cycleOffset	RWU	This field counts 24.576-MHz clocks modulo 3072, that is, 125 μ s. If an external 8-kHz clock configuration is being used, then this field must be cleared to 0s at each tick of the external clock.

8.35 Asynchronous Request Filter High Register

The asynchronous request filter high set/clear register enables asynchronous receive requests on a per-node basis, and handles the upper node IDs. When a packet is destined for either the physical request context or the ARRQ context, the source node ID is examined. If the bit corresponding to the node ID is not set to 1 in this register, then the packet is not acknowledged and the request is not queued. The node ID comparison is done if the source node is on the same bus as the PCI7x21/PCI7x11 controller. Nonlocal bus-sourced packets are not acknowledged unless bit 31 in this register is set to 1. See Table 8–27 for a complete description of the register contents.

Bit	31	30	29	28	27	26	25	24	23	22	21	20	19	18	17	16
Name	Asynchronous request filter high															
Type	RSC	RSC	RSC	RSC	RSC	RSC	RSC	RSC	RSC	RSC	RSC	RSC	RSC	RSC	RSC	RSC
Default	0	0	0	0	0	0	0	0	0	0	0	0	0	0	0	0
Bit	15	14	13	12	11	10	9	8	7	6	5	4	3	2	1	0
Name	Asynchronous request filter high															
Type	RSC	RSC	RSC	RSC	RSC	RSC	RSC	RSC	RSC	RSC	RSC	RSC	RSC	RSC	RSC	RSC
Default	0	0	0	0	0	0	0	0	0	0	0	0	0	0	0	0

Register: **Asynchronous request filter high**
 Offset: 100h set register
 104h clear register
 Type: Read/Set/Clear
 Default: 0000 0000h

Table 8–27. Asynchronous Request Filter High Register Description

BIT	FIELD NAME	TYPE	DESCRIPTION
31	asynReqAllBuses	RSC	If bit 31 is set to 1, all asynchronous requests received by the controller from nonlocal bus nodes are accepted.
30	asynReqResource62	RSC	If bit 30 is set to 1 for local bus node number 62, asynchronous requests received by the controller from that node are accepted.
29	asynReqResource61	RSC	If bit 29 is set to 1 for local bus node number 61, asynchronous requests received by the controller from that node are accepted.
28	asynReqResource60	RSC	If bit 28 is set to 1 for local bus node number 60, asynchronous requests received by the controller from that node are accepted.
27	asynReqResource59	RSC	If bit 27 is set to 1 for local bus node number 59, asynchronous requests received by the controller from that node are accepted.
26	asynReqResource58	RSC	If bit 26 is set to 1 for local bus node number 58, asynchronous requests received by the controller from that node are accepted.
25	asynReqResource57	RSC	If bit 25 is set to 1 for local bus node number 57, asynchronous requests received by the controller from that node are accepted.
24	asynReqResource56	RSC	If bit 24 is set to 1 for local bus node number 56, asynchronous requests received by the controller from that node are accepted.
23	asynReqResource55	RSC	If bit 23 is set to 1 for local bus node number 55, asynchronous requests received by the controller from that node are accepted.
22	asynReqResource54	RSC	If bit 22 is set to 1 for local bus node number 54, asynchronous requests received by the controller from that node are accepted.
21	asynReqResource53	RSC	If bit 21 is set to 1 for local bus node number 53, asynchronous requests received by the controller from that node are accepted.
20	asynReqResource52	RSC	If bit 20 is set to 1 for local bus node number 52, asynchronous requests received by the controller from that node are accepted.
19	asynReqResource51	RSC	If bit 19 is set to 1 for local bus node number 51, asynchronous requests received by the controller from that node are accepted.

Table 8–27. Asynchronous Request Filter High Register Description (Continued)

BIT	FIELD NAME	TYPE	DESCRIPTION
18	asynReqResource50	RSC	If bit 18 is set to 1 for local bus node number 50, asynchronous requests received by the controller from that node are accepted.
17	asynReqResource49	RSC	If bit 17 is set to 1 for local bus node number 49, asynchronous requests received by the controller from that node are accepted.
16	asynReqResource48	RSC	If bit 16 is set to 1 for local bus node number 48, asynchronous requests received by the controller from that node are accepted.
15	asynReqResource47	RSC	If bit 15 is set to 1 for local bus node number 47, asynchronous requests received by the controller from that node are accepted.
14	asynReqResource46	RSC	If bit 14 is set to 1 for local bus node number 46, asynchronous requests received by the controller from that node are accepted.
13	asynReqResource45	RSC	If bit 13 is set to 1 for local bus node number 45, asynchronous requests received by the controller from that node are accepted.
12	asynReqResource44	RSC	If bit 12 is set to 1 for local bus node number 44, asynchronous requests received by the controller from that node are accepted.
11	asynReqResource43	RSC	If bit 11 is set to 1 for local bus node number 43, asynchronous requests received by the controller from that node are accepted.
10	asynReqResource42	RSC	If bit 10 is set to 1 for local bus node number 42, asynchronous requests received by the controller from that node are accepted.
9	asynReqResource41	RSC	If bit 9 is set to 1 for local bus node number 41, asynchronous requests received by the controller from that node are accepted.
8	asynReqResource40	RSC	If bit 8 is set to 1 for local bus node number 40, asynchronous requests received by the controller from that node are accepted.
7	asynReqResource39	RSC	If bit 7 is set to 1 for local bus node number 39, asynchronous requests received by the controller from that node are accepted.
6	asynReqResource38	RSC	If bit 6 is set to 1 for local bus node number 38, asynchronous requests received by the controller from that node are accepted.
5	asynReqResource37	RSC	If bit 5 is set to 1 for local bus node number 37, asynchronous requests received by the controller from that node are accepted.
4	asynReqResource36	RSC	If bit 4 is set to 1 for local bus node number 36, asynchronous requests received by the controller from that node are accepted.
3	asynReqResource35	RSC	If bit 3 is set to 1 for local bus node number 35, asynchronous requests received by the controller from that node are accepted.
2	asynReqResource34	RSC	If bit 2 is set to 1 for local bus node number 34, asynchronous requests received by the controller from that node are accepted.
1	asynReqResource33	RSC	If bit 1 is set to 1 for local bus node number 33, asynchronous requests received by the controller from that node are accepted.
0	asynReqResource32	RSC	If bit 0 is set to 1 for local bus node number 32, asynchronous requests received by the controller from that node are accepted.

8.36 Asynchronous Request Filter Low Register

The asynchronous request filter low set/clear register enables asynchronous receive requests on a per-node basis, and handles the lower node IDs. Other than filtering different node IDs, this register behaves identically to the asynchronous request filter high register. See Table 8–28 for a complete description of the register contents.

Bit	31	30	29	28	27	26	25	24	23	22	21	20	19	18	17	16
Name	Asynchronous request filter low															
Type	RSC	RSC	RSC	RSC	RSC	RSC	RSC	RSC	RSC	RSC	RSC	RSC	RSC	RSC	RSC	RSC
Default	0	0	0	0	0	0	0	0	0	0	0	0	0	0	0	0
Bit	15	14	13	12	11	10	9	8	7	6	5	4	3	2	1	0
Name	Asynchronous request filter low															
Type	RSC	RSC	RSC	RSC	RSC	RSC	RSC	RSC	RSC	RSC	RSC	RSC	RSC	RSC	RSC	RSC
Default	0	0	0	0	0	0	0	0	0	0	0	0	0	0	0	0

Register: **Asynchronous request filter low**
 Offset: 108h set register
 10Ch clear register
 Type: Read/Set/Clear
 Default: 0000 0000h

Table 8–28. Asynchronous Request Filter Low Register Description

BIT	FIELD NAME	TYPE	DESCRIPTION
31	asynReqResource31	RSC	If bit 31 is set to 1 for local bus node number 31, asynchronous requests received by the controller from that node are accepted.
30	asynReqResource30	RSC	If bit 30 is set to 1 for local bus node number 30, asynchronous requests received by the controller from that node are accepted.
29–2	asynReqResourcen	RSC	Bits 29 through 2 (asynReqResourcen, where n = 29, 28, 27, ..., 2) follow the same pattern as bits 31 and 30.
1	asynReqResource1	RSC	If bit 1 is set to 1 for local bus node number 1, asynchronous requests received by the controller from that node are accepted.
0	asynReqResource0	RSC	If bit 0 is set to 1 for local bus node number 0, asynchronous requests received by the controller from that node are accepted.

8.37 Physical Request Filter High Register

The physical request filter high set/clear register enables physical receive requests on a per-node basis, and handles the upper node IDs. When a packet is destined for the physical request context, and the node ID has been compared against the ARRQ registers, then the comparison is done again with this register. If the bit corresponding to the node ID is not set to 1 in this register, then the request is handled by the ARRQ context instead of the physical request context. The node ID comparison is done if the source node is on the same bus as the PCI7x21/PCI7x11 controller. Nonlocal bus-sourced packets are not acknowledged unless bit 31 in this register is set to 1. See Table 8–29 for a complete description of the register contents.

Bit	31	30	29	28	27	26	25	24	23	22	21	20	19	18	17	16
Name	Physical request filter high															
Type	RSC	RSC	RSC	RSC	RSC	RSC	RSC	RSC	RSC	RSC	RSC	RSC	RSC	RSC	RSC	RSC
Default	0	0	0	0	0	0	0	0	0	0	0	0	0	0	0	0
Bit	15	14	13	12	11	10	9	8	7	6	5	4	3	2	1	0
Name	Physical request filter high															
Type	RSC	RSC	RSC	RSC	RSC	RSC	RSC	RSC	RSC	RSC	RSC	RSC	RSC	RSC	RSC	RSC
Default	0	0	0	0	0	0	0	0	0	0	0	0	0	0	0	0

Register: **Physical request filter high**
 Offset: 110h set register
 114h clear register
 Type: Read/Set/Clear
 Default: 0000 0000h

Table 8–29. Physical Request Filter High Register Description

BIT	FIELD NAME	TYPE	DESCRIPTION
31	physReqAllBusses	RSC	If bit 31 is set to 1, all asynchronous requests received by the controller from nonlocal bus nodes are accepted. Bit 31 is not cleared by a PRST.
30	physReqResource62	RSC	If bit 30 is set to 1 for local bus node number 62, physical requests received by the controller from that node are handled through the physical request context.
29	physReqResource61	RSC	If bit 29 is set to 1 for local bus node number 61, physical requests received by the controller from that node are handled through the physical request context.
28	physReqResource60	RSC	If bit 28 is set to 1 for local bus node number 60, physical requests received by the controller from that node are handled through the physical request context.
27	physReqResource59	RSC	If bit 27 is set to 1 for local bus node number 59, physical requests received by the controller from that node are handled through the physical request context.
26	physReqResource58	RSC	If bit 26 is set to 1 for local bus node number 58, physical requests received by the controller from that node are handled through the physical request context.
25	physReqResource57	RSC	If bit 25 is set to 1 for local bus node number 57, physical requests received by the controller from that node are handled through the physical request context.
24	physReqResource56	RSC	If bit 24 is set to 1 for local bus node number 56, physical requests received by the controller from that node are handled through the physical request context.
23	physReqResource55	RSC	If bit 23 is set to 1 for local bus node number 55, physical requests received by the controller from that node are handled through the physical request context.
22	physReqResource54	RSC	If bit 22 is set to 1 for local bus node number 54, physical requests received by the controller from that node are handled through the physical request context.
21	physReqResource53	RSC	If bit 21 is set to 1 for local bus node number 53, physical requests received by the controller from that node are handled through the physical request context.
20	physReqResource52	RSC	If bit 20 is set to 1 for local bus node number 52, physical requests received by the controller from that node are handled through the physical request context.
19	physReqResource51	RSC	If bit 19 is set to 1 for local bus node number 51, physical requests received by the controller from that node are handled through the physical request context.

Table 8–29. Physical Request Filter High Register Description (Continued)

BIT	FIELD NAME	TYPE	DESCRIPTION
18	physReqResource50	RSC	If bit 18 is set to 1 for local bus node number 50, physical requests received by the controller from that node are handled through the physical request context.
17	physReqResource49	RSC	If bit 17 is set to 1 for local bus node number 49, physical requests received by the controller from that node are handled through the physical request context.
16	physReqResource48	RSC	If bit 16 is set to 1 for local bus node number 48, physical requests received by the controller from that node are handled through the physical request context.
15	physReqResource47	RSC	If bit 15 is set to 1 for local bus node number 47, physical requests received by the controller from that node are handled through the physical request context.
14	physReqResource46	RSC	If bit 14 is set to 1 for local bus node number 46, physical requests received by the controller from that node are handled through the physical request context.
13	physReqResource45	RSC	If bit 13 is set to 1 for local bus node number 45, physical requests received by the controller from that node are handled through the physical request context.
12	physReqResource44	RSC	If bit 12 is set to 1 for local bus node number 44, physical requests received by the controller from that node are handled through the physical request context.
11	physReqResource43	RSC	If bit 11 is set to 1 for local bus node number 43, physical requests received by the controller from that node are handled through the physical request context.
10	physReqResource42	RSC	If bit 10 is set to 1 for local bus node number 42, physical requests received by the controller from that node are handled through the physical request context.
9	physReqResource41	RSC	If bit 9 is set to 1 for local bus node number 41, physical requests received by the controller from that node are handled through the physical request context.
8	physReqResource40	RSC	If bit 8 is set to 1 for local bus node number 40, physical requests received by the controller from that node are handled through the physical request context.
7	physReqResource39	RSC	If bit 7 is set to 1 for local bus node number 39, physical requests received by the controller from that node are handled through the physical request context.
6	physReqResource38	RSC	If bit 6 is set to 1 for local bus node number 38, physical requests received by the controller from that node are handled through the physical request context.
5	physReqResource37	RSC	If bit 5 is set to 1 for local bus node number 37, physical requests received by the controller from that node are handled through the physical request context.
4	physReqResource36	RSC	If bit 4 is set to 1 for local bus node number 36, physical requests received by the controller from that node are handled through the physical request context.
3	physReqResource35	RSC	If bit 3 is set to 1 for local bus node number 35, physical requests received by the controller from that node are handled through the physical request context.
2	physReqResource34	RSC	If bit 2 is set to 1 for local bus node number 34, physical requests received by the controller from that node are handled through the physical request context.
1	physReqResource33	RSC	If bit 1 is set to 1 for local bus node number 33, physical requests received by the controller from that node are handled through the physical request context.
0	physReqResource32	RSC	If bit 0 is set to 1 for local bus node number 32, physical requests received by the controller from that node are handled through the physical request context.

8.38 Physical Request Filter Low Register

The physical request filter low set/clear register enables physical receive requests on a per-node basis, and handles the lower node IDs. When a packet is destined for the physical request context, and the node ID has been compared against the asynchronous request filter registers, then the node ID comparison is done again with this register. If the bit corresponding to the node ID is not set to 1 in this register, then the request is handled by the asynchronous request context instead of the physical request context. See Table 8–30 for a complete description of the register contents.

Bit	31	30	29	28	27	26	25	24	23	22	21	20	19	18	17	16
Name	Physical request filter low															
Type	RSC	RSC	RSC	RSC	RSC	RSC	RSC	RSC	RSC	RSC	RSC	RSC	RSC	RSC	RSC	RSC
Default	0	0	0	0	0	0	0	0	0	0	0	0	0	0	0	0
Bit	15	14	13	12	11	10	9	8	7	6	5	4	3	2	1	0
Name	Physical request filter low															
Type	RSC	RSC	RSC	RSC	RSC	RSC	RSC	RSC	RSC	RSC	RSC	RSC	RSC	RSC	RSC	RSC
Default	0	0	0	0	0	0	0	0	0	0	0	0	0	0	0	0

Register: **Physical request filter low**
 Offset: 118h set register
 11Ch clear register
 Type: Read/Set/Clear
 Default: 0000 0000h

Table 8–30. Physical Request Filter Low Register Description

BIT	FIELD NAME	TYPE	DESCRIPTION
31	physReqResource31	RSC	If bit 31 is set to 1 for local bus node number 31, physical requests received by the controller from that node are handled through the physical request context.
30	physReqResource30	RSC	If bit 30 is set to 1 for local bus node number 30, physical requests received by the controller from that node are handled through the physical request context.
29–2	physReqResourcen	RSC	Bits 29 through 2 (physReqResourcen, where n = 29, 28, 27, ..., 2) follow the same pattern as bits 31 and 30.
1	physReqResource1	RSC	If bit 1 is set to 1 for local bus node number 1, physical requests received by the controller from that node are handled through the physical request context.
0	physReqResource0	RSC	If bit 0 is set to 1 for local bus node number 0, physical requests received by the controller from that node are handled through the physical request context.

8.39 Physical Upper Bound Register (Optional Register)

The physical upper bound register is an optional register and is not implemented. This register returns all 0s when read.

Bit	31	30	29	28	27	26	25	24	23	22	21	20	19	18	17	16
Name	Physical upper bound															
Type	R	R	R	R	R	R	R	R	R	R	R	R	R	R	R	R
Default	0	0	0	0	0	0	0	0	0	0	0	0	0	0	0	0
Bit	15	14	13	12	11	10	9	8	7	6	5	4	3	2	1	0
Name	Physical upper bound															
Type	R	R	R	R	R	R	R	R	R	R	R	R	R	R	R	R
Default	0	0	0	0	0	0	0	0	0	0	0	0	0	0	0	0

Register: **Physical upper bound**
 Offset: 120h
 Type: Read-only
 Default: 0000 0000h

8.40 Asynchronous Context Control Register

The asynchronous context control set/clear register controls the state and indicates status of the DMA context. See Table 8–31 for a complete description of the register contents.

Bit	31	30	29	28	27	26	25	24	23	22	21	20	19	18	17	16
Name	Asynchronous context control															
Type	R	R	R	R	R	R	R	R	R	R	R	R	R	R	R	R
Default	0	0	0	0	0	0	0	0	0	0	0	0	0	0	0	0
Bit	15	14	13	12	11	10	9	8	7	6	5	4	3	2	1	0
Name	Asynchronous context control															
Type	RSCU	R	R	RSU	RU	RU	R	R	RU	RU	RU	RU	RU	RU	RU	RU
Default	0	0	0	X	0	0	0	0	X	X	X	X	X	X	X	X

Register: **Asynchronous context control**

Offset: 180h set register [ATRQ]

184h clear register [ATRQ]

1A0h set register [ATRS]

1A4h clear register [ATRS]

1C0h set register [ARRQ]

1C4h clear register [ARRQ]

1E0h set register [ARRS]

1E4h clear register [ARRS]

Type: Read/Set/Clear/Update, Read/Set/Update, Read/Update, Read-only

Default: 0000 X0XXh

Table 8–31. Asynchronous Context Control Register Description

BIT	FIELD NAME	TYPE	DESCRIPTION
31–16	RSVD	R	Reserved. Bits 31–16 return 0s when read.
15	run	RSCU	Bit 15 is set to 1 by software to enable descriptor processing for the context and cleared by software to stop descriptor processing. The PCI7x21/PCI7x11 controller changes this bit only on a system (hardware) or software reset.
14–13	RSVD	R	Reserved. Bits 14 and 13 return 0s when read.
12	wake	RSU	Software sets bit 12 to 1 to cause the PCI7x21/PCI7x11 controller to continue or resume descriptor processing. The PCI7x21/PCI7x11 controller clears this bit on every descriptor fetch.
11	dead	RU	The PCI7x21/PCI7x11 controller sets bit 11 to 1 when it encounters a fatal error, and clears the bit when software clears bit 15 (run). Asynchronous contexts supporting out-of-order pipelining provide unique ContextControl.dead functionality. See Section 7.7 in the <i>1394 Open Host Controller Interface Specification</i> (Release 1.1) for more information.
10	active	RU	The PCI7x21/PCI7x11 controller sets bit 10 to 1 when it is processing descriptors.
9–8	RSVD	R	Reserved. Bits 9 and 8 return 0s when read.
7–5	spd	RU	This field indicates the speed at which a packet was received or transmitted and only contains meaningful information for receive contexts. This field is encoded as: 000 = 100M bits/sec 001 = 200M bits/sec 010 = 400M bits/sec All other values are reserved.
4–0	eventcode	RU	This field holds the acknowledge sent by the link core for this packet or an internally generated error code if the packet was not transferred successfully.

8.41 Asynchronous Context Command Pointer Register

The asynchronous context command pointer register contains a pointer to the address of the first descriptor block that the PCI7x21/PCI7x11 controller accesses when software enables the context by setting bit 15 (run) in the asynchronous context control register (see Section 8.40) to 1. See Table 8–32 for a complete description of the register contents.

Bit	31	30	29	28	27	26	25	24	23	22	21	20	19	18	17	16
Name	Asynchronous context command pointer															
Type	RWU	RWU	RWU	RWU	RWU	RWU	RWU	RWU	RWU	RWU	RWU	RWU	RWU	RWU	RWU	RWU
Default	X	X	X	X	X	X	X	X	X	X	X	X	X	X	X	X
Bit	15	14	13	12	11	10	9	8	7	6	5	4	3	2	1	0
Name	Asynchronous context command pointer															
Type	RWU	RWU	RWU	RWU	RWU	RWU	RWU	RWU	RWU	RWU	RWU	RWU	RWU	RWU	RWU	RWU
Default	X	X	X	X	X	X	X	X	X	X	X	X	X	X	X	X

Register: **Asynchronous context command pointer**

Offset: 18Ch [ATRQ]

1ACh [ATRS]

1CCh [ARRQ]

1ECh [ARRS]

Type: Read/Write/Update

Default: XXXX XXXXh

Table 8–32. Asynchronous Context Command Pointer Register Description

BIT	FIELD NAME	TYPE	DESCRIPTION
31–4	descriptorAddress	RWU	Contains the upper 28 bits of the address of a 16-byte aligned descriptor block.
3–0	Z	RWU	Indicates the number of contiguous descriptors at the address pointed to by the descriptor address. If Z is 0, then it indicates that the descriptorAddress field (bits 31–4) is not valid.

8.42 Isochronous Transmit Context Control Register

The isochronous transmit context control set/clear register controls options, state, and status for the isochronous transmit DMA contexts. The n value in the following register addresses indicates the context number (n = 0, 1, 2, 3, ..., 7). See Table 8–33 for a complete description of the register contents.

Bit	31	30	29	28	27	26	25	24	23	22	21	20	19	18	17	16
Name	Isochronous transmit context control															
Type	RSCU	RSC	RSC	RSC	RSC	RSC	RSC	RSC	RSC	RSC	RSC	RSC	RSC	RSC	RSC	RSC
Default	X	X	X	X	X	X	X	X	X	X	X	X	X	X	X	X
Bit	15	14	13	12	11	10	9	8	7	6	5	4	3	2	1	0
Name	Isochronous transmit context control															
Type	RSC	R	R	RSU	RU	RU	R	R	RU	RU	RU	RU	RU	RU	RU	RU
Default	0	0	0	X	0	0	0	0	X	X	X	X	X	X	X	X

Register: **Isochronous transmit context control**
 Offset: 200h + (16 * n) set register
 204h + (16 * n) clear register
 Type: Read/Set/Clear/Update, Read/Set/Clear, Read/Set/Update, Read/Update, Read-only
 Default: XXXX X0XXh

Table 8–33. Isochronous Transmit Context Control Register Description

BIT	FIELD NAME	TYPE	DESCRIPTION
31	cycleMatchEnable	RSCU	When bit 31 is set to 1, processing occurs such that the packet described by the context first descriptor block is transmitted in the cycle whose number is specified in the cycleMatch field (bits 30–16). The cycleMatch field (bits 30–16) must match the low-order two bits of cycleSeconds and the 13-bit cycleCount field in the cycle start packet that is sent or received immediately before isochronous transmission begins. Since the isochronous transmit DMA controller may work ahead, the processing of the first descriptor block may begin slightly in advance of the actual cycle in which the first packet is transmitted. The effects of this bit, however, are impacted by the values of other bits in this register and are explained in the <i>1394 Open Host Controller Interface Specification</i> . Once the context has become active, hardware clears this bit.
30–16	cycleMatch	RSC	This field contains a 15-bit value, corresponding to the low-order two bits of the isochronous cycle timer register at OHCI offset F0h (see Section 8.34) cycleSeconds field (bits 31–25) and the cycleCount field (bits 24–12). If bit 31 (cycleMatchEnable) is set to 1, then this isochronous transmit DMA context becomes enabled for transmits when the low-order two bits of the isochronous cycle timer register at OHCI offset F0h cycleSeconds field (bits 31–25) and the cycleCount field (bits 24–12) value equal this field (cycleMatch) value.
15	run	RSC	Bit 15 is set to 1 by software to enable descriptor processing for the context and cleared by software to stop descriptor processing. The PCI7x21/PCI7x11 controller changes this bit only on a system (hardware) or software reset.
14–13	RSVD	R	Reserved. Bits 14 and 13 return 0s when read.
12	wake	RSU	Software sets bit 12 to 1 to cause the PCI7x21/PCI7x11 controller to continue or resume descriptor processing. The PCI7x21/PCI7x11 controller clears this bit on every descriptor fetch.
11	dead	RU	The PCI7x21/PCI7x11 controller sets bit 11 to 1 when it encounters a fatal error, and clears the bit when software clears bit 15 (run) to 0.
10	active	RU	The PCI7x21/PCI7x11 controller sets bit 10 to 1 when it is processing descriptors.
9–8	RSVD	R	Reserved. Bits 9 and 8 return 0s when read.
7–5	spd	RU	This field is not meaningful for isochronous transmit contexts.
4–0	event code	RU	Following an OUTPUT_LAST* command, the error code is indicated in this field. Possible values are: ack_complete, evt_descriptor_read, evt_data_read, and evt_unknown.

^T On an overflow for each running context, the isochronous transmit DMA supports up to 7 cycle skips, when the following are true:

1. Bit 11 (dead) in either the isochronous transmit or receive context control register is set to 1.
2. Bits 4–0 (eventcode field) in either the isochronous transmit or receive context control register is set to evt_timeout.
3. Bit 24 (unrecoverableError) in the interrupt event register at OHCI offset 80h/84h (see Section 8.21) is set to 1.

8.43 Isochronous Transmit Context Command Pointer Register

The isochronous transmit context command pointer register contains a pointer to the address of the first descriptor block that the PCI7x21/PCI7x11 controller accesses when software enables an isochronous transmit context by setting bit 15 (run) in the isochronous transmit context control register (see Section 8.42) to 1. The isochronous transmit DMA context command pointer can be read when a context is active. The n value in the following register addresses indicates the context number (n = 0, 1, 2, 3, ..., 7).

Bit	31	30	29	28	27	26	25	24	23	22	21	20	19	18	17	16
Name	Isochronous transmit context command pointer															
Type	R	R	R	R	R	R	R	R	R	R	R	R	R	R	R	R
Default	X	X	X	X	X	X	X	X	X	X	X	X	X	X	X	X
Bit	15	14	13	12	11	10	9	8	7	6	5	4	3	2	1	0
Name	Isochronous transmit context command pointer															
Type	R	R	R	R	R	R	R	R	R	R	R	R	R	R	R	R
Default	X	X	X	X	X	X	X	X	X	X	X	X	X	X	X	X

Register: **Isochronous transmit context command pointer**
 Offset: 20Ch + (16 * n)
 Type: Read-only
 Default: XXXX XXXXh

8.44 Isochronous Receive Context Control Register

The isochronous receive context control set/clear register controls options, state, and status for the isochronous receive DMA contexts. The n value in the following register addresses indicates the context number (n = 0, 1, 2, 3). See Table 8–34 for a complete description of the register contents.

Bit	31	30	29	28	27	26	25	24	23	22	21	20	19	18	17	16
Name	Isochronous receive context control															
Type	RSC	RSC	RSCU	RSC	RSC	R	R	R	R	R	R	R	R	R	R	R
Default	X	X	X	X	X	0	0	0	0	0	0	0	0	0	0	0
Bit	15	14	13	12	11	10	9	8	7	6	5	4	3	2	1	0
Name	Isochronous receive context control															
Type	RSCU	R	R	RSU	RU	RU	R	R	RU	RU	RU	RU	RU	RU	RU	RU
Default	0	0	0	X	0	0	0	0	X	X	X	X	X	X	X	X

Register: **Isochronous receive context control**
 Offset: 400h + (32 * n) set register
 404h + (32 * n) clear register
 Type: Read/Set/Clear/Update, Read/Set/Clear, Read/Set/Update, Read/Update, Read-only
 Default: XX00 X0XXh

Table 8–34. Isochronous Receive Context Control Register Description

BIT	FIELD NAME	TYPE	DESCRIPTION
31	bufferFill	RSC	When bit 31 is set to 1, received packets are placed back-to-back to completely fill each receive buffer. When this bit is cleared, each received packet is placed in a single buffer. If bit 28 (multiChanMode) is set to 1, then this bit must also be set to 1. The value of this bit must not be changed while bit 10 (active) or bit 15 (run) is set to 1.
30	isochHeader	RSC	When bit 30 is set to 1, received isochronous packets include the complete 4-byte isochronous packet header seen by the link layer. The end of the packet is marked with a xferStatus in the first doublet, and a 16-bit timeStamp indicating the time of the most recently received (or sent) cycleStart packet. When this bit is cleared, the packet header is stripped from received isochronous packets. The packet header, if received, immediately precedes the packet payload. The value of this bit must not be changed while bit 10 (active) or bit 15 (run) is set to 1.

Table 8–34. Isochronous Receive Context Control Register Description (Continued)

BIT	FIELD NAME	TYPE	DESCRIPTION
29	cycleMatchEnable	RSCU	When bit 29 is set to 1 and the 13-bit cycleMatch field (bits 24–12) in the isochronous receive context match register (See Section 8.46) matches the 13-bit cycleCount field in the cycleStart packet, the context begins running. The effects of this bit, however, are impacted by the values of other bits in this register. Once the context has become active, hardware clears this bit. The value of this bit must not be changed while bit 10 (active) or bit 15 (run) is set to 1.
28	multiChanMode	RSC	When bit 28 is set to 1, the corresponding isochronous receive DMA context receives packets for all isochronous channels enabled in the isochronous receive channel mask high register at OHCI offset 70h/74h (see Section 8.19) and isochronous receive channel mask low register at OHCI offset 78h/7Ch (see Section 8.20). The isochronous channel number specified in the isochronous receive context match register (see Section 8.46) is ignored. When this bit is cleared, the isochronous receive DMA context receives packets for the single channel specified in the isochronous receive context match register (see Section 8.46). Only one isochronous receive DMA context may use the isochronous receive channel mask registers (see Sections 8.19, and 8.20). If more than one isochronous receive context control register has this bit set, then the results are undefined. The value of this bit must not be changed while bit 10 (active) or bit 15 (run) is set to 1.
27	dualBufferMode	RSC	When bit 27 is set to 1, receive packets are separated into first and second payload and streamed independently to the firstBuffer series and secondBuffer series as described in Section 10.2.3 in the <i>1394 Open Host Controller Interface Specification</i> . Also, when bit 27 is set to 1, both bits 28 (multiChanMode) and 31 (bufferFill) are cleared to 0. The value of this bit does not change when either bit 10 (active) or bit 15 (run) is set to 1.
26–16	RSVD	R	Reserved. Bits 26–16 return 0s when read.
15	run	RSCU	Bit 15 is set to 1 by software to enable descriptor processing for the context and cleared by software to stop descriptor processing. The PCI7x21/PCI7x11 controller changes this bit only on a system (hardware) or software reset.
14–13	RSVD	R	Reserved. Bits 14 and 13 return 0s when read.
12	wake	RSU	Software sets bit 12 to 1 to cause the PCI7x21/PCI7x11 controller to continue or resume descriptor processing. The PCI7x21/PCI7x11 controller clears this bit on every descriptor fetch.
11	dead	RU	The PCI7x21/PCI7x11 controller sets bit 11 to 1 when it encounters a fatal error, and clears the bit when software clears bit 15 (run).
10	active	RU	The PCI7x21/PCI7x11 controller sets bit 10 to 1 when it is processing descriptors.
9–8	RSVD	R	Reserved. Bits 9 and 8 return 0s when read.
7–5	spd	RU	This field indicates the speed at which the packet was received. 000 = 100M bits/sec 001 = 200M bits/sec 010 = 400M bits/sec All other values are reserved.
4–0	event code	RU	For bufferFill mode, possible values are: ack_complete, evt_descriptor_read, evt_data_write, and evt_unknown. Packets with data errors (either dataLength mismatches or dataCRC errors) and packets for which a FIFO overrun occurred are backed out. For packet-per-buffer mode, possible values are: ack_complete, ack_data_error, evt_long_packet, evt_overrun, evt_descriptor_read, evt_data_write, and evt_unknown.

8.45 Isochronous Receive Context Command Pointer Register

The isochronous receive context command pointer register contains a pointer to the address of the first descriptor block that the PCI7x21/PCI7x11 controller accesses when software enables an isochronous receive context by setting bit 15 (run) in the isochronous receive context control register (see Section 8.44) to 1. The n value in the following register addresses indicates the context number (n = 0, 1, 2, 3).

Bit	31	30	29	28	27	26	25	24	23	22	21	20	19	18	17	16
Name	Isochronous receive context command pointer															
Type	R	R	R	R	R	R	R	R	R	R	R	R	R	R	R	R
Default	X	X	X	X	X	X	X	X	X	X	X	X	X	X	X	X
Bit	15	14	13	12	11	10	9	8	7	6	5	4	3	2	1	0
Name	Isochronous receive context command pointer															
Type	R	R	R	R	R	R	R	R	R	R	R	R	R	R	R	R
Default	X	X	X	X	X	X	X	X	X	X	X	X	X	X	X	X

Register: **Isochronous receive context command pointer**
 Offset: 40Ch + (32 * n)
 Type: Read-only
 Default: XXXX XXXXh

8.46 Isochronous Receive Context Match Register

The isochronous receive context match register starts an isochronous receive context running on a specified cycle number, filters incoming isochronous packets based on tag values, and waits for packets with a specified sync value. The n value in the following register addresses indicates the context number (n = 0, 1, 2, 3). See Table 8–35 for a complete description of the register contents.

Bit	31	30	29	28	27	26	25	24	23	22	21	20	19	18	17	16
Name	Isochronous receive context match															
Type	RW	RW	RW	RW	R	RW	RW	RW	RW	RW	RW	RW	RW	RW	RW	RW
Default	X	X	X	X	0	0	0	X	X	X	X	X	X	X	X	X
Bit	15	14	13	12	11	10	9	8	7	6	5	4	3	2	1	0
Name	Isochronous receive context match															
Type	RW	RW	RW	RW	RW	RW	RW	RW	R	RW	RW	RW	RW	RW	RW	RW
Default	X	X	X	X	X	X	X	X	0	X	X	X	X	X	X	X

Register: **Isochronous receive context match**
 Offset: 410Ch + (32 * n)
 Type: Read/Write, Read-only
 Default: XXXX XXXXh

Table 8–35. Isochronous Receive Context Match Register Description

BIT	FIELD NAME	TYPE	DESCRIPTION
31	tag3	RW	If bit 31 is set to 1, this context matches on isochronous receive packets with a tag field of 11b.
30	tag2	RW	If bit 30 is set to 1, this context matches on isochronous receive packets with a tag field of 10b.
29	tag1	RW	If bit 29 is set to 1, this context matches on isochronous receive packets with a tag field of 01b.
28	tag0	RW	If bit 28 is set to 1, this context matches on isochronous receive packets with a tag field of 00b.
27	RSVD	R	Reserved. Bit 27 returns 0 when read.
26–12	cycleMatch	RW	This field contains a 15-bit value corresponding to the two low-order bits of cycleSeconds and the 13-bit cycleCount field in the cycleStart packet. If cycleMatchEnable (bit 29) in the isochronous receive context control register (see Section 8.44) is set to 1, then this context is enabled for receives when the two low-order bits of the isochronous cycle timer register at OHCI offset F0h (see Section 8.34) cycleSeconds field (bits 31–25) and cycleCount field (bits 24–12) value equal this field (cycleMatch) value.
11–8	sync	RW	This 4-bit field is compared to the sync field of each isochronous packet for this channel when the command descriptor w field is set to 11b.
7	RSVD	R	Reserved. Bit 7 returns 0 when read.
6	tag1SyncFilter	RW	If bit 6 and bit 29 (tag1) are set to 1, then packets with tag 01b are accepted into the context if the two most significant bits of the packet sync field are 00b. Packets with tag values other than 01b are filtered according to bit 28 (tag0), bit 30 (tag2), and bit 31 (tag3) without any additional restrictions. If this bit is cleared, then this context matches on isochronous receive packets as specified in bits 28–31 (tag0–tag3) with no additional restrictions.
5–0	channelNumber	RW	This 6-bit field indicates the isochronous channel number for which this isochronous receive DMA context accepts packets.

9 TI Extension Registers

The TI extension base address register provides a method of accessing memory-mapped TI extension registers. See Section 7.9, *TI Extension Base Address Register*, for register bit field details. See Table 9–1 for the TI extension register listing.

Table 9–1. TI Extension Register Map

REGISTER NAME	OFFSET
Reserved	00h–A7Fh
Isochronous Receive DV Enhancement Set	A80h
Isochronous Receive DV Enhancement Clear	A84h
Link Enhancement Control Set	A88h
Link Enhancement Control Clear	A8Ch
Isochronous Transmit Context 0 Timestamp Offset	A90h
Isochronous Transmit Context 1 Timestamp Offset	A94h
Isochronous Transmit Context 2 Timestamp Offset	A98h
Isochronous Transmit Context 3 Timestamp Offset	A9Ch
Isochronous Transmit Context 4 Timestamp Offset	AA0h
Isochronous Transmit Context 5 Timestamp Offset	AA4h
Isochronous Transmit Context 6 Timestamp Offset	AA8h
Isochronous Transmit Context 7 Timestamp Offset	AACH

9.1 DV and MPEG2 Timestamp Enhancements

The DV timestamp enhancements are enabled by bit 8 (`enab_dv_ts`) in the link enhancement control register located at PCI offset F4h and are aliased in TI extension register space at offset A88h (set) and A8Ch (clear).

The DV and MPEG transmit enhancements are enabled separately by bits in the link enhancement control register located in PCI configuration space at PCI offset F4h. The link enhancement control register is also aliased as a set/clear register in TI extension space at offset A88h (set) and A8Ch (clear).

Bit 8 (`enab_dv_ts`) of the link enhancement control register enables DV timestamp support. When enabled, the link calculates a timestamp based on the cycle timer and the timestamp offset register and substitutes it in the SYT field of the CIP once per DV frame.

Bit 10 (`enab_mpeg_ts`) of the link enhancement control register enables MPEG timestamp support. Two MPEG time stamp modes are supported. The default mode calculates an initial delta that is added to the calculated timestamp in addition to a user-defined offset. The initial offset is calculated as the difference in the intended transmit cycle count and the cycle count field of the timestamp in the first TSP of the MPEG2 stream. The use of the initial delta can be controlled by bit 31 (`DisableInitialOffset`) in the timestamp offset register (see Section 9.5).

The MPEG2 timestamp enhancements are enabled by bit 10 (`enab_mpeg_ts`) in the link enhancement control register located at PCI offset F4h and aliased in TI extension register space at offset A88h (set) and A8Ch (clear).

When bit 10 (`enab_mpeg_ts`) is set to 1, the hardware applies the timestamp enhancements to isochronous transmit packets that have the tag field equal to 01b in the isochronous packet header and a FMT field equal to 10h.

9.2 Isochronous Receive Digital Video Enhancements

The DV frame sync and branch enhancement provides a mechanism in buffer-fill mode to synchronize 1394 DV data that is received in the correct order to DV frame-sized data buffers described by several INPUT_MORE descriptors (see *1394 Open Host Controller Interface Specification*, Release 1.1). This is accomplished by waiting for the start-of-frame packet in a DV stream before transferring the received isochronous stream into the memory buffer described by the INPUT_MORE descriptors. This can improve the DV capture application performance by reducing the amount of processing overhead required to strip the CIP header and copy the received packets into frame-sized buffers.

The start of a DV frame is represented in the 1394 packet as a 16-bit pattern of 1FX7h (first byte 1Fh and second byte X7h) received as the first two bytes of the third quadlet in a DV isochronous packet.

9.3 Isochronous Receive Digital Video Enhancements Register

The isochronous receive digital video enhancements register enables the DV enhancements in the PCI7x21/PCI7x11 controller. The bits in this register may only be modified when both the active (bit 10) and run (bit 15) bits of the corresponding context control register are 0. See Table 9–2 for a complete description of the register contents.

Bit	31	30	29	28	27	26	25	24	23	22	21	20	19	18	17	16
Name	Isochronous receive digital video enhancements															
Type	R	R	R	R	R	R	R	R	R	R	R	R	R	R	R	R
Default	0	0	0	0	0	0	0	0	0	0	0	0	0	0	0	0
Bit	15	14	13	12	11	10	9	8	7	6	5	4	3	2	1	0
Name	Isochronous receive digital video enhancements															
Type	R	R	RSC	RSC	R	R	RSC	RSC	R	R	RSC	RSC	R	R	RSC	RSC
Default	0	0	0	0	0	0	0	0	0	0	0	0	0	0	0	0

Register: **Isochronous receive digital video enhancements**

Offset: A80h set register

A84h clear register

Type: Read/Set/Clear, Read-only

Default: 0000 0000h

Table 9–2. Isochronous Receive Digital Video Enhancements Register Description

BIT	FIELD NAME	TYPE	DESCRIPTION
31–14	RSVD	R	Reserved. Bits 31–14 return 0s when read.
13	DV_Branch3	RSC	When bit 13 is set to 1, the isochronous receive context 3 synchronizes reception to the DV frame start tag in bufferfill mode if input_more.b = 01b, and jumps to the descriptor pointed to by frameBranch if a DV frame start tag is received out of place. This bit is only interpreted when bit 12 (CIP_Strip3) is set to 1 and bit 30 (isochHeader) in the isochronous receive context control register at OHCI offset 460h/464h (see Section 8.44) is cleared to 0.
12	CIP_Strip3	RSC	When bit 12 is set to 1, the isochronous receive context 3 strips the first two quadlets of payload. This bit is only interpreted when bit 30 (isochHeader) in the isochronous receive context control register at OHCI offset 460h/464h (see Section 8.44) is cleared to 0.
11–10	RSVD	R	Reserved. Bits 11 and 10 return 0s when read.
9	DV_Branch2	RSC	When bit 9 is set to 1, the isochronous receive context 2 synchronizes reception to the DV frame start tag in bufferfill mode if input_more.b = 01b, and jumps to the descriptor pointed to by frameBranch if a DV frame start tag is received out of place. This bit is only interpreted when bit 8 (CIP_Strip2) is set to 1 and bit 30 (isochHeader) in the isochronous receive context control register at OHCI offset 440h/444h (see Section 8.44) is cleared to 0.
8	CIP_Strip2	RSC	When bit 8 is set to 1, the isochronous receive context 2 strips the first two quadlets of payload. This bit is only interpreted when bit 30 (isochHeader) in the isochronous receive context control register at OHCI offset 440h/444h (see Section 8.44) is cleared to 0.

Table 9–2. Isochronous Receive Digital Video Enhancements Register Description (Continued)

BIT	FIELD NAME	TYPE	DESCRIPTION
7–6	RSVD	R	Reserved. Bits 7 and 6 return 0s when read.
5	DV_Branch1	RSC	When bit 5 is set to 1, the isochronous receive context 1 synchronizes reception to the DV frame start tag in bufferfill mode if input_more.b = 01b, and jumps to the descriptor pointed to by frameBranch if a DV frame start tag is received out of place. This bit is only interpreted when bit 4 (CIP_Strip1) is set to 1 and bit 30 (isochHeader) in the isochronous receive context control register at OHCI offset 420h/424h (see Section 8.44) is cleared to 0.
4	CIP_Strip1	RSC	When bit 4 is set to 1, the isochronous receive context 1 strips the first two quadlets of payload. This bit is only interpreted when bit 30 (isochHeader) in the isochronous receive context control register at OHCI offset 420h/424h (see Section 8.44) is cleared to 0.
3–2	RSVD	R	Reserved. Bits 3 and 2 return 0s when read.
1	DV_Branch0	RSC	When bit 1 is set to 1, the isochronous receive context 0 synchronizes reception to the DV frame start tag in bufferfill mode if input_more.b = 01b and jumps to the descriptor pointed to by frameBranch if a DV frame start tag is received out of place. This bit is only interpreted when bit 0 (CIP_Strip0) is set to 1 and bit 30 (isochHeader) in the isochronous receive context control register at OHCI offset 400h/404h (see Section 8.44) is cleared to 0.
0	CIP_Strip0	RSC	When bit 0 is set to 1, the isochronous receive context 0 strips the first two quadlets of payload. This bit is only interpreted when bit 30 (isochHeader) in the isochronous receive context control register at OHCI offset 400h/404h (see Section 8.44) is cleared to 0.

9.4 Link Enhancement Register

This register is a memory-mapped set/clear register that is an alias of the link enhancement control register at PCI offset F4h. These bits may be initialized by software. Some of the bits may also be initialized by a serial EEPROM, if one is present, as noted in the bit descriptions below. If the bits are to be initialized by software, then the bits must be initialized prior to setting bit 19 (LPS) in the host controller control register at OHCI offset 50h/54h (see Section 8.16). See Table 9–3 for a complete description of the register contents.

Bit	31	30	29	28	27	26	25	24	23	22	21	20	19	18	17	16
Name	Link enhancement															
Type	R	R	R	R	R	R	R	R	R	R	R	R	R	R	R	R
Default	0	0	0	0	0	0	0	0	0	0	0	0	0	0	0	0
Bit	15	14	13	12	11	10	9	8	7	6	5	4	3	2	1	0
Name	Link enhancement															
Type	RSC	R	RSC	RSC	R	RSC	R	RSC	RSC	R	R	R	R	R	RSC	R
Default	0	0	0	1	0	0	0	0	0	0	0	0	0	0	0	0

Register: **Link enhancement**
 Offset: A88h set register
 A8Ch clear register
 Type: Read/Set/Clear, Read-only
 Default: 0000 0000h

Table 9–3. Link Enhancement Register Description

BIT	FIELD NAME	TYPE	DESCRIPTION
31–16	RSVD	R	Reserved. Bits 31–16 return 0s when read.
15 ‡	dis_at_pipeline	RW	Disable AT pipelining. When bit 15 is set to 1, out-of-order AT pipelining is disabled. The default value for this bit is 0.
14 ‡	RSVD	R	Reserved. Bit 14 defaults to 0 and must remain 0 for normal operation of the OHCI core.
13–12 ‡	atx_thresh	RW	<p>This field sets the initial AT threshold value, which is used until the AT FIFO is underrun. When the PCI7x21/PCI7x11 controller retries the packet, it uses a 2K-byte threshold, resulting in a store-and-forward operation.</p> <p>00 = Threshold ~ 2K bytes resulting in a store-and-forward operation 01 = Threshold ~ 1.7K bytes (default) 10 = Threshold ~ 1K bytes 11 = Threshold ~ 512 bytes</p> <p>These bits fine-tune the asynchronous transmit threshold. For most applications the 1.7K-byte threshold is optimal. Changing this value may increase or decrease the 1394 latency depending on the average PCI bus latency.</p> <p>Setting the AT threshold to 1.7K, 1K, or 512 bytes results in data being transmitted at these thresholds or when an entire packet has been checked into the FIFO. If the packet to be transmitted is larger than the AT threshold, then the remaining data must be received before the AT FIFO is emptied; otherwise, an underrun condition occurs, resulting in a packet error at the receiving node. As a result, the link then commences a store-and-forward operation. It waits until it has the complete packet in the FIFO before retransmitting it on the second attempt to ensure delivery.</p> <p>An AT threshold of 2K results in a store-and-forward operation, which means that asynchronous data is not transmitted until an end-of-packet token is received. Restated, setting the AT threshold to 2K results in only complete packets being transmitted.</p> <p>Note that this controller always uses a store-and-forward operation when the asynchronous transmit retries register at OHCI offset 08h (see Section 8.3) is cleared.</p>
11	RSVD	R	Reserved. Bit 11 returns 0 when read.
10 ‡	enab_mpeg_ts	RW	Enable MPEG CIP timestamp enhancement. When bit 9 is set to 1, the enhancement is enabled for MPEG CIP transmit streams (FMT = 20h). The default value for this bit is 0.

‡ This bit is cleared only by the assertion of $\overline{\text{GRST}}$.

Table 9–3. Link Enhancement Register Description (Continued)

BIT	FIELD NAME	TYPE	DESCRIPTION
9	RSVD	R	Reserved. Bit 9 returns 0 when read.
8 ‡	enab_dv_ts	RW	Enable DV CIP timestamp enhancement. When bit 8 is set to 1, the enhancement is enabled for DV CIP transmit streams (FMT = 00h). The default value for this bit is 0.
7 ‡	enab_unfair	RW	Enable asynchronous priority requests. OHCI-Lynx™ compatible. Setting bit 7 to 1 enables the link to respond to requests with priority arbitration. It is recommended that this bit be set to 1. The default value for this bit is 0.
6	RSVD	R	This bit is not assigned in the PCI7x21/PCI7x11 follow-on products, because this bit location loaded by the serial EEPROM from the enhancements field corresponds to bit 23 (programPhyEnable) in the host controller control register at OHCI offset 50h/54h (see Section 8.16).
5–3	RSVD	R	Reserved. Bits 5–3 return 0s when read.
2 ‡	RSVD	R	Reserved. Bit 2 returns 0 when read.
1 ‡	enab_accel	RW	Enable acceleration enhancements. OHCI-Lynx™ compatible. When bit 1 is set to 1, the PHY layer is notified that the link supports the IEEE Std 1394a-2000 acceleration enhancements, that is, ack-accelerated, fly-by concatenation, etc. It is recommended that this bit be set to 1. The default value for this bit is 0.
0	RSVD	R	Reserved. Bit 0 returns 0 when read.

‡ This bit is cleared only by the assertion of GRST.

9.5 Timestamp Offset Register

The value of this register is added as an offset to the cycle timer value when using the MPEG, DV, and CIP enhancements. A timestamp offset register is implemented per isochronous transmit context. The n value following the offset indicates the context number (n = 0, 1, 2, 3, ..., 7). These registers are programmed by software as appropriate. See Table 9–4 for a complete description of the register contents.

Bit	31	30	29	28	27	26	25	24	23	22	21	20	19	18	17	16
Name	Timestamp offset															
Type	RW	R	R	R	R	R	R	RW	RW	RW	RW	RW	RW	RW	RW	RW
Default	0	0	0	0	0	0	0	0	0	0	0	0	0	0	0	0
Bit	15	14	13	12	11	10	9	8	7	6	5	4	3	2	1	0
Name	Timestamp offset															
Type	RW	RW	RW	RW	RW	RW	RW	RW	RW	RW	RW	RW	RW	RW	RW	RW
Default	0	0	0	0	0	0	0	0	0	0	0	0	0	0	0	0

Register: **Timestamp offset**
 Offset: A90h + (4*n)
 Type: Read/Write, Read-only
 Default: 0000 0000h

Table 9–4. Timestamp Offset Register Description

BIT	FIELD NAME	TYPE	DESCRIPTION
31	DisableInitialOffset	RW	Bit 31 disables the use of the initial timestamp offset when the MPEG2 enhancements are enabled. A value of 0 indicates the use of the initial offset, a value of 1 indicates that the initial offset must not be applied to the calculated timestamp. This bit has no meaning for the DV timestamp enhancements. The default value for this bit is 0.
30–25	RSVD	R	Reserved. Bits 30–25 return 0s when read.
24–12	CycleCount	RW	This field adds an offset to the cycle count field in the timestamp when the DV or MPEG2 enhancements are enabled. The cycle count field is incremented modulo 8000; therefore, values in this field must be limited between 0 and 7999. The default value for this field is all 0s.
11–0	CycleOffset	RW	This field adds an offset to the cycle offset field in the timestamp when the DV or MPEG2 enhancements are enabled. The cycle offset field is incremented modulo 3072; therefore, values in this field must be limited between 0 and 3071. The default value for this field is all 0s.

10 PHY Register Configuration

There are 16 accessible internal registers in the PCI7x21/PCI7x11 controller. The configuration of the registers at addresses 0h through 7h (the base registers) is fixed, whereas the configuration of the registers at addresses 8h through Fh (the paged registers) is dependent upon which one of eight pages, numbered 0h through 7h, is currently selected. The selected page is set in base register 7h.

10.1 Base Registers

Table 10–1 shows the configuration of the base registers, and Table 10–2 shows the corresponding field descriptions. The base register field definitions are unaffected by the selected page number.

A reserved register or register field (marked as Reserved in the following register configuration tables) is read as 0, but is subject to future usage. All registers in address pages 2 through 6 are reserved.

Table 10–1. Base Register Configuration

ADDRESS	BIT POSITION							
	0	1	2	3	4	5	6	7
0000	Physical ID						R	CPS
0001	RHB	IBR	Gap_Count					
0010	Extended (111b)			Reserved	Total_Ports (0010b)			
0011	Max_Speed (010b)			Reserved	Delay (0000b)			
0100	LCtrl	C	Jitter (000b)			Pwr_Class		
0101	Watchdog	ISBR	Loop	Pwr_fail	Timeout	Port_event	Enab_accel	Enab_multi
0110	Reserved							
0111	Page_Select			Reserved	Port_Select			

Table 10–2. Base Register Field Descriptions

FIELD	SIZE	TYPE	DESCRIPTION
Physical ID	6	R	This field contains the physical address ID of this node determined during self-ID. The physical ID is invalid after a bus reset until self-ID has completed as indicated by an unsolicited register-0 status transfer.
R	1	R	Root. This bit indicates that this node is the root node. The R bit is cleared to 0 by bus reset and is set to 1 during tree-ID if this node becomes root.
CPS	1	R	Cable-power-status. This bit indicates the state of the CPS input terminal. The CPS terminal is normally tied to serial bus cable power through a 400-k Ω resistor. A 0 in this bit indicates that the cable power voltage has dropped below its threshold for ensured reliable operation.
RHB	1	R/W	Root-holdoff bit. This bit instructs the PHY layer to attempt to become root after the next bus reset. The RHB bit is cleared to 0 by a system (hardware) reset and is unaffected by a bus reset.
IBR	1	R/W	Initiate bus reset. This bit instructs the PHY layer to initiate a long (166 μ s) bus reset at the next opportunity. Any receive or transmit operation in progress when this bit is set completes before the bus reset is initiated. The IBR bit is cleared to 0 after a system (hardware) reset or a bus reset.
Gap_Count	6	R/W	Arbitration gap count. This value sets the subaction (fair) gap, arb-reset gap, and arb-delay times. The gap count can be set either by a write to the register, or by reception or transmission of a PHY_CONFIG packet. The gap count is reset to 3Fh by system (hardware) reset or after two consecutive bus resets without an intervening write to the gap count register (either by a write to the PHY register or by a PHY_CONFIG packet).
Extended	3	R	Extended register definition. For the PCI7x21/PCI7x11 controller, this field is 111b, indicating that the extended register set is implemented.
Total_Ports	4	R	Number of ports. This field indicates the number of ports implemented in the PHY layer. For the PCI7x21/PCI7x11 controller this field is 2.
Max_Speed	3	R	PHY speed capability. For the PCI7x21/PCI7x11 PHY layer this field is 010b, indicating S400 speed capability.
Delay	4	R	PHY repeater data delay. This field indicates the worst case repeater data delay of the PHY layer, expressed as 144+(delay \times 20) ns. For the PCI7x21/PCI7x11 controller this field is 0.
LCtrl	1	R/W	Link-active status control. This bit controls the active status of the LLC as indicated during self-ID. The logical AND of this bit and the LPS active status is replicated in the L field (bit 9) of the self-ID packet. The LLC is considered active only if both the LPS input is active and the LCtrl bit is set. The LCtrl bit provides a software controllable means to indicate the LLC active/status in lieu of using the LPS input. The LCtrl bit is set to 1 by a system (hardware) reset and is unaffected by a bus reset. NOTE: The state of the PHY-LLC interface is controlled solely by the LPS input, regardless of the state of the LCtrl bit. If the PHY-LLC interface is operational as determined by the LPS input being active, received packets and status information continue to be presented on the interface, and any requests indicated on the LREQ input are processed, even if the LCtrl bit is cleared to 0.
C	1	R/W	Contender status. This bit indicates that this node is a contender for the bus or isochronous resource manager. This bit is replicated in the c field (bit 20) of the self-ID packet.
Jitter	3	R	PHY repeater jitter. This field indicates the worst case difference between the fastest and slowest repeater data delay, expressed as (Jitter+1) \times 20 ns. For the PCI7x21/PCI7x11 controller, this field is 0.
Pwr_Class	3	R/W	Node power class. This field indicates this node power consumption and source characteristics and is replicated in the pwr field (bits 21–23) of the self-ID packet. This field is reset to the state specified by the PC0–PC2 input terminals upon a system (hardware) reset and is unaffected by a bus reset. See Table 10–9.
Watchdog	1	R/W	Watchdog enable. This bit, if set to 1, enables the port event interrupt (Port_event) bit to be set whenever resume operations begin on any port. This bit is cleared to 0 by system (hardware) reset and is unaffected by bus reset.

Table 10–2. Base Register Field Descriptions (Continued)

FIELD	SIZE	TYPE	DESCRIPTION
ISBR	1	R/W	Initiate short arbitrated bus reset. This bit, if set to 1, instructs the PHY layer to initiate a short (1.3 μ s) arbitrated bus reset at the next opportunity. This bit is cleared to 0 by a bus reset. NOTE: Legacy IEEE Std 1394-1995 compliant PHY layers can not be capable of performing short bus resets. Therefore, initiation of a short bus reset in a network that contains such a legacy device results in a long bus reset being performed.
Loop	1	R/W	Loop detect. This bit is set to 1 when the arbitration controller times out during tree-ID start and may indicate that the bus is configured in a loop. This bit is cleared to 0 by system (hardware) reset or by writing a 1 to this register bit. If the Loop and Watchdog bits are both set and the LLC is or becomes inactive, the PHY layer activates the LLC to service the interrupt. NOTE: If the network is configured in a loop, only those nodes which are part of the loop generate a configuration-timeout interrupt. All other nodes instead time out waiting for the tree-ID and/or self-ID process to complete and then generate a state time-out interrupt and bus-reset.
Pwr_fail	1	R/W	Cable power failure detect. This bit is set to 1 whenever the CPS input transitions from high to low indicating that cable power may be too low for reliable operation. This bit is cleared to 0 by system (hardware) reset or by writing a 1 to this register bit.
Timeout	1	R/W	State time-out interrupt. This bit indicates that a state time-out has occurred (which also causes a bus reset to occur). This bit is cleared to 0 by system (hardware) reset or by writing a 1 to this register bit.
Port_event	1	R/W	Port event detect. This bit is set to 1 upon a change in the bias (unless disabled) connected, disabled, or fault bits for any port for which the port interrupt enable (Int_enable) bit is set. Additionally, if the Watchdog bit is set, the Port_event bit is set to 1 at the start of resume operations on any port. This bit is cleared to 0 by system (hardware) reset or by writing a 1 to this register bit.
Enab_accel	1	R/W	Enable accelerated arbitration. This bit enables the PHY layer to perform the various arbitration acceleration enhancements defined in IEEE Std 1394a-2000 (ACK-accelerated arbitration, asynchronous fly-by concatenation, and isochronous fly-by concatenation). This bit is cleared to 0 by system (hardware) reset and is unaffected by bus reset.
Enab_multi	1	R/W	Enable multispeed concatenated packets. This bit enables the PHY layer to transmit concatenated packets of differing speeds in accordance with the protocols defined in IEEE Std 1394a-2000. This bit is cleared to 0 by system (hardware) reset and is unaffected by bus reset.
Page_Select	3	R/W	Page_Select. This field selects the register page to use when accessing register addresses 8 through 15. This field is cleared to 0 by a system (hardware) reset and is unaffected by bus reset.
Port_Select	4	R/W	Port_Select. This field selects the port when accessing per-port status or control (for example, when one of the port status/control registers is accessed in page 0). Ports are numbered starting at 0. This field is cleared to 0 by system (hardware) reset and is unaffected by bus reset.

10.2 Port Status Register

The port status page provides access to configuration and status information for each of the ports. The port is selected by writing 0 to the Page_Select field and the desired port number to the Port_Select field in base register 7. Table 10–3 shows the configuration of the port status page registers and Table 10–4 shows the corresponding field descriptions. If the selected port is not implemented, all registers in the port status page are read as 0.

Table 10–3. Page 0 (Port Status) Register Configuration

ADDRESS	BIT POSITION							
	0	1	2	3	4	5	6	7
1000	AStat		BStat		Ch	Con	Bias	Dis
1001	Peer_Speed			Int_enable	Fault	Reserved		
1010	Reserved							
1011	Reserved							
1100	Reserved							
1101	Reserved							
1110	Reserved							
1111	Reserved							

Table 10–4. Page 0 (Port Status) Register Field Descriptions

FIELD	SIZE	TYPE	DESCRIPTION										
AStat	2	R	TPA line state. This field indicates the TPA line state of the selected port, encoded as follows: <table border="0"> <tr> <td><u>Code</u></td> <td><u>Arb Value</u></td> </tr> <tr> <td>11</td> <td>Z</td> </tr> <tr> <td>10</td> <td>0</td> </tr> <tr> <td>01</td> <td>1</td> </tr> <tr> <td>00</td> <td>invalid</td> </tr> </table>	<u>Code</u>	<u>Arb Value</u>	11	Z	10	0	01	1	00	invalid
<u>Code</u>	<u>Arb Value</u>												
11	Z												
10	0												
01	1												
00	invalid												
BStat	2	R	TPB line state. This field indicates the TPB line state of the selected port. This field has the same encoding as the AStat field.										
Ch	1	R	Child/parent status. A 1 indicates that the selected port is a child port. A 0 indicates that the selected port is the parent port. A disconnected, disabled, or suspended port is reported as a child port. The Ch bit is invalid after a bus reset until tree-ID has completed.										
Con	1	R	Debounced port connection status. This bit indicates that the selected port is connected. The connection must be stable for the debounce time of approximately 341 ms for the Con bit to be set to 1. The Con bit is cleared to 0 by system (hardware) reset and is unaffected by bus reset. NOTE: The Con bit indicates that the port is physically connected to a peer PHY device, but the port is not necessarily active.										
Bias	1	R	Debounced incoming cable bias status. A 1 indicates that the selected port is detecting incoming cable bias. The incoming cable bias must be stable for the debounce time of 52 μs for the Bias bit to be set to 1.										
Dis	1	RW	Port disabled control. If the Dis bit is set to 1, the selected port is disabled. The Dis bit is cleared to 0 by system (hardware) reset (all ports are enabled for normal operation following system (hardware) reset). The Dis bit is not affected by bus reset.										
Peer_Speed	3	R	Port peer speed. This field indicates the highest speed capability of the peer PHY device connected to the selected port, encoded as follows: <table border="0"> <tr> <td><u>Code</u></td> <td><u>Peer Speed</u></td> </tr> <tr> <td>000</td> <td>S100</td> </tr> <tr> <td>001</td> <td>S200</td> </tr> <tr> <td>010</td> <td>S400</td> </tr> <tr> <td>011–111</td> <td>invalid</td> </tr> </table> The Peer_Speed field is invalid after a bus reset until self-ID has completed. NOTE: Peer speed codes higher than 010b (S400) are defined in IEEE Std 1394a-2000. However, the PCI7x21/PCI7x11 controller is only capable of detecting peer speeds up to S400.	<u>Code</u>	<u>Peer Speed</u>	000	S100	001	S200	010	S400	011–111	invalid
<u>Code</u>	<u>Peer Speed</u>												
000	S100												
001	S200												
010	S400												
011–111	invalid												

Table 10–4. Page 0 (Port Status) Register Field Descriptions (Continued)

FIELD	SIZE	TYPE	DESCRIPTION
Int_enable	1	RW	Port event interrupt enable. When the Int_enable bit is set to 1, a port event on the selected port sets the port event interrupt (Port_event) bit and notifies the link. This bit is cleared to 0 by a system (hardware) reset and is unaffected by bus reset.
Fault	1	RW	Fault. This bit indicates that a resume-fault or suspend-fault has occurred on the selected port, and that the port is in the suspended state. A resume-fault occurs when a resuming port fails to detect incoming cable bias from its attached peer. A suspend-fault occurs when a suspending port continues to detect incoming cable bias from its attached peer. Writing 1 to this bit clears the fault bit to 0. This bit is cleared to 0 by system (hardware) reset and is unaffected by bus reset.

10.3 Vendor Identification Register

The vendor identification page identifies the vendor/manufacturer and compliance level. The page is selected by writing 1 to the Page_Select field in base register 7. Table 10–5 shows the configuration of the vendor identification page, and Table 10–6 shows the corresponding field descriptions.

Table 10–5. Page 1 (Vendor ID) Register Configuration

ADDRESS	BIT POSITION							
	0	1	2	3	4	5	6	7
1000	Compliance							
1001	Reserved							
1010	Vendor_ID[0]							
1011	Vendor_ID[1]							
1100	Vendor_ID[2]							
1101	Product_ID[0]							
1110	Product_ID[1]							
1111	Product_ID[2]							

Table 10–6. Page 1 (Vendor ID) Register Field Descriptions

FIELD	SIZE	TYPE	DESCRIPTION
Compliance	8	R	Compliance level. For the PCI7x21/PCI7x11 controller this field is 01h, indicating compliance with IEEE Std 1394a-2000.
Vendor_ID	24	R	Manufacturer’s organizationally unique identifier (OUI). For the PCI7x21/PCI7x11 controller this field is 08 0028h (Texas Instruments) (the MSB is at register address 1010b).
Product_ID	24	R	Product identifier. For the PCI7x21/PCI7x11 controller this field is 42 4499h (the MSB is at register address 1101b).

10.4 Vendor-Dependent Register

The vendor-dependent page provides access to the special control features of the PCI7x21/PCI7x11 controller, as well as to configuration and status information used in manufacturing test and debug. This page is selected by writing 7 to the Page_Select field in base register 7. Table 10–7 shows the configuration of the vendor-dependent page, and Table 10–8 shows the corresponding field descriptions.

Table 10–7. Page 7 (Vendor-Dependent) Register Configuration

ADDRESS	BIT POSITION							
	0	1	2	3	4	5	6	7
1000	NPA	Reserved					Link_Speed	
1001	Reserved for test							
1010	Reserved for test							
1011	Reserved for test							
1100	Reserved for test							
1101	Reserved for test							
1110	Reserved for test							
1111	Reserved for test							

Table 10–8. Page 7 (Vendor-Dependent) Register Field Descriptions

FIELD	SIZE	TYPE	DESCRIPTION										
NPA	1	RW	Null-packet actions flag. This bit instructs the PHY layer to not clear fair and priority requests when a null packet is received with arbitration acceleration enabled. If this bit is set to 1, fair and priority requests are cleared only when a packet of more than 8 bits is received; ACK packets (exactly 8 data bits), null packets (no data bits), and malformed packets (less than 8 data bits) do not clear fair and priority requests. If this bit is cleared to 0, fair and priority requests are cleared when any non-ACK packet is received, including null packets or malformed packets of less than 8 bits. This bit is cleared to 0 by system (hardware) reset and is unaffected by bus reset.										
Link_Speed	2	RW	Link speed. This field indicates the top speed capability of the attached LLC. Encoding is as follows: <table style="margin-left: 20px; border: none;"> <tr> <td style="text-align: center;"><u>Code</u></td> <td style="text-align: center;"><u>Speed</u></td> </tr> <tr> <td style="text-align: center;">00</td> <td style="text-align: center;">S100</td> </tr> <tr> <td style="text-align: center;">01</td> <td style="text-align: center;">S200</td> </tr> <tr> <td style="text-align: center;">10</td> <td style="text-align: center;">S400</td> </tr> <tr> <td style="text-align: center;">11</td> <td style="text-align: center;">illegal</td> </tr> </table> <p>This field is replicated in the sp field of the self-ID packet to indicate the speed capability of the node (PHY and LLC in combination). However, this field does not affect the PHY speed capability indicated to peer PHYs during self-ID; the PCI7x21/PCI7x11 PHY layer identifies itself as S400 capable to its peers regardless of the value in this field. This field is set to 10b (S400) by system (hardware) reset and is unaffected by bus reset.</p>	<u>Code</u>	<u>Speed</u>	00	S100	01	S200	10	S400	11	illegal
<u>Code</u>	<u>Speed</u>												
00	S100												
01	S200												
10	S400												
11	illegal												

10.5 Power-Class Programming

The PC0–PC2 terminals are programmed to set the default value of the power-class indicated in the pwr field (bits 21–23) of the transmitted self-ID packet. Table 10–9 shows the descriptions of the various power classes. The default power-class value is loaded following a system (hardware) reset, but is overridden by any value subsequently loaded into the Pwr_Class field in register 4.

Table 10–9. Power Class Descriptions

PC0–PC2	DESCRIPTION
000	Node does not need power and does not repeat power.
001	Node is self-powered and provides a minimum of 15 W to the bus.
010	Node is self-powered and provides a minimum of 30 W to the bus.
011	Node is self-powered and provides a minimum of 45 W to the bus.
100	Node may be powered from the bus and is using up to 3 W. No additional power is needed to enable the link.
101	Reserved
110	Node is powered from the bus and uses up to 3 W. An additional 3 W is needed to enable the link.
111	Node is powered from the bus and uses up to 3 W. An additional 7 W is needed to enable the link.

11 Flash Media Controller Programming Model

This section describes the internal PCI configuration registers used to program the PCI7x21/PCI7x11 flash media controller interface. All registers are detailed in the same format: a brief description for each register is followed by the register offset and a bit table describing the reset state for each register.

A bit description table, typically included when the register contains bits of more than one type or purpose, indicates bit field names, a detailed field description, and field access tags which appear in the *type* column. Table 4–1 describes the field access tags.

The PCI7x21/PCI7x11 controller is a multifunction PCI device. The flash media controller core is integrated as PCI function 3. The function 3 configuration header is compliant with the *PCI Local Bus Specification* as a standard header. Table 11–1 illustrates the configuration header that includes both the predefined portion of the configuration space and the user-definable registers.

Table 11–1. Function 3 Configuration Register Map

REGISTER NAME				OFFSET
Device ID		Vendor ID		00h
Status		Command		04h
Class code			Revision ID	08h
BIST	Header type	Latency timer	Cache line size	0Ch
Flash media base address				10h
Reserved				14h–28h
Subsystem ID ‡		Subsystem vendor ID ‡		2Ch
Reserved				30h
Reserved			PCI power management capabilities pointer	34h
Reserved				38h
Maximum latency	Minimum grant	Interrupt pin	Interrupt line	3Ch
Reserved				40h
Power management capabilities		Next item pointer	Capability ID	44h
PM data (Reserved)	PMCSR_BSE	Power management control and status ‡		48h
Reserved		General control ‡		4Ch
Subsystem access				50h
Diagnostic ‡				54h
Reserved				58h–FCh

‡ One or more bits in this register are cleared only by the assertion of GRST.

11.1 Vendor ID Register

The vendor ID register contains a value allocated by the PCI SIG and identifies the manufacturer of the PCI device. The vendor ID assigned to Texas Instruments is 104Ch.

Bit	15	14	13	12	11	10	9	8	7	6	5	4	3	2	1	0
Name	Vendor ID															
Type	R	R	R	R	R	R	R	R	R	R	R	R	R	R	R	R
Default	0	0	0	1	0	0	0	0	0	1	0	0	1	1	0	0

Register: **Vendor ID**
 Offset: 00h
 Type: Read-only
 Default: 104Ch

11.2 Device ID Register

The device ID register contains a value assigned to the flash media controller by Texas Instruments. The device identification for the flash media controller is 8033h.

Bit	15	14	13	12	11	10	9	8	7	6	5	4	3	2	1	0
Name	Device ID															
Type	R	R	R	R	R	R	R	R	R	R	R	R	R	R	R	R
Default	1	0	0	0	0	0	0	0	0	0	1	1	0	0	1	1

Register: **Device ID**
 Offset: 02h
 Type: Read-only
 Default: 8033h

11.3 Command Register

The command register provides control over the PCI7x21/PCI7x11 interface to the PCI bus. All bit functions adhere to the definitions in the *PCI Local Bus Specification*, as seen in the following bit descriptions. See Table 11–2 for a complete description of the register contents.

Bit	15	14	13	12	11	10	9	8	7	6	5	4	3	2	1	0
Name	Command															
Type	R	R	R	R	R	RW	R	RW	R	RW	R	RW	R	RW	RW	R
Default	0	0	0	0	0	0	0	0	0	0	0	0	0	0	0	0

Register: **Command**
 Offset: 04h
 Type: Read/Write, Read-only
 Default: 0000h

Table 11–2. Command Register Description

BIT	FIELD NAME	TYPE	DESCRIPTION
15–11	RSVD	R	Reserved. Bits 15–11 return 0s when read.
10	INT_DISABLE	RW	$\overline{\text{INTx}}$ disable. When set to 1, this bit disables the function from asserting interrupts on the $\overline{\text{INTx}}$ signals. 0 = $\overline{\text{INTx}}$ assertion is enabled (default) 1 = $\overline{\text{INTx}}$ assertion is disabled
9	FBB_ENB	R	Fast back-to-back enable. The flash media interface does not generate fast back-to-back transactions; therefore, bit 9 returns 0 when read.
8	SERR_ENB	RW	$\overline{\text{SERR}}$ enable. When bit 8 is set to 1, the flash media interface $\overline{\text{SERR}}$ driver is enabled. $\overline{\text{SERR}}$ can be asserted after detecting an address parity error on the PCI bus.
7	STEP_ENB	R	Address/data stepping control. The flash media interface does not support address/data stepping; therefore, bit 7 is hardwired to 0.
6	PERR_ENB	RW	Parity error enable. When bit 6 is set to 1, the flash media interface is enabled to drive $\overline{\text{PERR}}$ response to parity errors through the $\overline{\text{PERR}}$ signal.
5	VGA_ENB	R	VGA palette snoop enable. The flash media interface does not feature VGA palette snooping; therefore, bit 5 returns 0 when read.
4	MWI_ENB	RW	Memory write and invalidate enable. The flash media controller does not generate memory write invalidate transactions; therefore, bit 4 returns 0 when read.
3	SPECIAL	R	Special cycle enable. The flash media interface does not respond to special cycle transactions; therefore, bit 3 returns 0 when read.
2	MASTER_ENB	RW	Bus master enable. When bit 2 is set to 1, the flash media interface is enabled to initiate cycles on the PCI bus.
1	MEMORY_ENB	RW	Memory response enable. Setting bit 1 to 1 enables the flash media interface to respond to memory cycles on the PCI bus.
0	IO_ENB	R	I/O space enable. The flash media interface does not implement any I/O-mapped functionality; therefore, bit 0 returns 0 when read.

11.4 Status Register

The status register provides device information to the host system. All bit functions adhere to the definitions in the *PCI Local Bus Specification*, as seen in the following bit descriptions. Bits in this register may be read normally. A bit in the status register is reset when a 1 is written to that bit location; a 0 written to a bit location has no effect. See Table 11–3 for a complete description of the register contents.

Bit	15	14	13	12	11	10	9	8	7	6	5	4	3	2	1	0
Name	Status															
Type	RCU	RCU	RCU	RCU	RCU	R	R	RCU	R	R	R	R	RU	R	R	R
Default	0	0	0	0	0	0	1	0	0	0	0	1	0	0	0	0

Register: **Status**
 Offset: 06h
 Type: Read/Clear/Update, Read-only
 Default: 0210h

Table 11–3. Status Register Description

BIT	FIELD NAME	TYPE	DESCRIPTION
15	PAR_ERR	RCU	Detected parity error. Bit 15 is set to 1 when either an address parity or data parity error is detected.
14	SYS_ERR	RCU	Signaled system error. Bit 14 is set to 1 when \overline{SERR} is enabled and the flash media controller has signaled a system error to the host.
13	MABORT	RCU	Received master abort. Bit 13 is set to 1 when a cycle initiated by the flash media controller on the PCI bus has been terminated by a master abort.
12	TABORT_REC	RCU	Received target abort. Bit 12 is set to 1 when a cycle initiated by the flash media controller on the PCI bus was terminated by a target abort.
11	TABORT_SIG	RCU	Signaled target abort. Bit 11 is set to 1 by the flash media controller when it terminates a transaction on the PCI bus with a target abort.
10–9	PCI_SPEED	R	DEVSEL timing. Bits 10 and 9 encode the timing of \overline{DEVSEL} and are hardwired to 01b, indicating that the flash media controller asserts this signal at a medium speed on nonconfiguration cycle accesses.
8	DATAPAR	RCU	Data parity error detected. Bit 8 is set to 1 when the following conditions have been met: a. \overline{PERR} was asserted by any PCI device including the flash media controller. b. The flash media controller was the bus master during the data parity error. c. Bit 6 (PERR_EN) in the command register at offset 04h in the PCI configuration space (see Section 11.3) is set to 1.
7	FBB_CAP	R	Fast back-to-back capable. The flash media controller cannot accept fast back-to-back transactions; therefore, bit 7 is hardwired to 0.
6	UDF	R	User-definable features (UDF) supported. The flash media controller does not support the UDF; therefore, bit 6 is hardwired to 0.
5	66MHZ	R	66-MHz capable. The flash media controller operates at a maximum PCLK frequency of 33 MHz; therefore, bit 5 is hardwired to 0.
4	CAPLIST	R	Capabilities list. Bit 4 returns 1 when read, indicating that the flash media controller supports additional PCI capabilities.
3	INT_STATUS	RU	Interrupt status. This bit reflects the interrupt status of the function. Only when bit 10 (INT_DISABLE) in the command register (see Section 11.3) is a 0 and this bit is 1, is the function's \overline{INTx} signal asserted. Setting the INT_DISABLE bit to 1 has no effect on the state of this bit. This bit is set only when a valid interrupt condition exists. This bit is not set when an interrupt condition exists and signaling of that event is not enabled.
2–0	RSVD	R	Reserved. Bits 3–0 return 0s when read.

11.5 Class Code and Revision ID Register

The class code and revision ID register categorizes the base class, subclass, and programming interface of the function. The base class is 01h, identifying the controller as a mass storage controller. The subclass is 80h, identifying the function as other mass storage controller, and the programming interface is 00h. Furthermore, the T1 chip revision is indicated in the least significant byte (00h). See Table 11–4 for a complete description of the register contents.

Bit	31	30	29	28	27	26	25	24	23	22	21	20	19	18	17	16
Name	Class code and revision ID															
Type	R	R	R	R	R	R	R	R	R	R	R	R	R	R	R	R
Default	0	0	0	0	0	0	0	1	1	0	0	0	0	0	0	0
Bit	15	14	13	12	11	10	9	8	7	6	5	4	3	2	1	0
Name	Class code and revision ID															
Type	R	R	R	R	R	R	R	R	R	R	R	R	R	R	R	R
Default	0	0	0	0	0	0	0	0	0	0	0	0	0	0	0	0

Register: **Class code and revision ID**
 Offset: 08h
 Type: Read-only
 Default: 0180 0000h

Table 11–4. Class Code and Revision ID Register Description

BIT	FIELD NAME	TYPE	DESCRIPTION
31–24	BASECLASS	R	Base class. This field returns 01h when read, which classifies the function as a mass storage controller.
23–16	SUBCLASS	R	Subclass. This field returns 80h when read, which specifically classifies the function as other mass storage controller.
15–8	PGMIF	R	Programming interface. This field returns 00h when read.
7–0	CHIPREV	R	Silicon revision. This field returns 00h when read, which indicates the silicon revision of the flash media controller.

11.6 Latency Timer and Class Cache Line Size Register

The latency timer and class cache line size register is programmed by host BIOS to indicate system cache line size and the latency timer associated with the flash media controller. See Table 11–5 for a complete description of the register contents.

Bit	15	14	13	12	11	10	9	8	7	6	5	4	3	2	1	0
Name	Latency timer and class cache line size															
Type	RW	RW	RW	RW	RW	RW	RW	RW	RW	RW	RW	RW	RW	RW	RW	RW
Default	0	0	0	0	0	0	0	0	0	0	0	0	0	0	0	0

Register: **Latency timer and class cache line size**
 Offset: 0Ch
 Type: Read/Write
 Default: 0000h

Table 11–5. Latency Timer and Class Cache Line Size Register Description

BIT	FIELD NAME	TYPE	DESCRIPTION
15–8	LATENCY_TIMER	RW	PCI latency timer. The value in this register specifies the latency timer for the flash media controller, in units of PCI clock cycles. When the flash media controller is a PCI bus initiator and asserts FRAME, the latency timer begins counting from zero. If the latency timer expires before the flash media transaction has terminated, then the flash media controller terminates the transaction when its $\overline{\text{GNT}}$ is deasserted.
7–0	CACHELINE_SZ	RW	Cache line size. This value is used by the flash media controller during memory write and invalidate, memory-read line, and memory-read multiple transactions.

11.7 Header Type and BIST Register

The header type and built-in self-test (BIST) register indicates the flash media controller PCI header type and no built-in self-test. See Table 11–6 for a complete description of the register contents.

Bit	15	14	13	12	11	10	9	8	7	6	5	4	3	2	1	0
Name	Header type and BIST															
Type	R	R	R	R	R	R	R	R	R	R	R	R	R	R	R	R
Default	0	0	0	0	0	0	0	0	1	0	0	0	0	0	0	0

Register: **Header type and BIST**
 Offset: 0Eh
 Type: Read-only
 Default: 0080h

Table 11–6. Header Type and BIST Register Description

BIT	FIELD NAME	TYPE	DESCRIPTION
15–8	BIST	R	Built-in self-test. The flash media controller does not include a BIST; therefore, this field returns 00h when read.
7–0	HEADER_TYPE	R	PCI header type. The flash media controller includes the standard PCI header. Bit 7 indicates if the flash media is a multifunction device.

11.8 Flash Media Base Address Register

The flash media base address register specifies the base address of the memory-mapped interface registers. Since the implementation of the flash media controller core in the PCI7x21/PCI7x11 controller contains 2 sockets, the size of the base address register is 4096 bytes. See Table 11–7 for a complete description of the register contents.

Bit	31	30	29	28	27	26	25	24	23	22	21	20	19	18	17	16
Name	Flash media base address															
Type	RW	RW	RW	RW	RW	RW	RW	RW	RW	RW	RW	RW	RW	RW	RW	RW
Default	0	0	0	0	0	0	0	0	0	0	0	0	0	0	0	0
Bit	15	14	13	12	11	10	9	8	7	6	5	4	3	2	1	0
Name	Flash media base address															
Type	RW	RW	RW	RW	RW	R	R	R	R	R	R	R	R	R	R	R
Default	0	0	0	0	0	0	0	0	0	0	0	0	0	0	0	0

Register: **Flash media base address**
 Offset: 10h
 Type: Read/Write, Read-only
 Default: 0000 0000h

Table 11–7. Flash Media Base Address Register Description

BIT	FIELD NAME	TYPE	DESCRIPTION
31–13	BAR	RW	Base address. This field specifies the upper bits of the 32-bit starting base address.
12–4	RSVD	R	Reserved. Bits 12–4 return 0s when read to indicate that the size of the base address is 8192 bytes.
3	PREFETCHABLE	R	Prefetchable. Since this base address is not prefetchable, bit 3 returns 0 when read.
2–1	RSVD	R	Reserved. Bits 2–1 return 0s when read.
0	MEM_INDICATOR	R	Memory space indicator. Bit 0 is hardwired to 0 to indicate that the base address maps into memory space.

11.9 Subsystem Vendor Identification Register

The subsystem identification register, used for system and option card identification purposes, may be required for certain operating systems. This read-only register is initialized through the EEPROM and can be written through the subsystem access register at PCI offset 50h (see Section 11.22). All bits in this register are reset by \overline{GRST} only.

Bit	15	14	13	12	11	10	9	8	7	6	5	4	3	2	1	0
Name	Subsystem vendor identification															
Type	RU	RU	RU	RU	RU	RU	RU	RU	RU	RU	RU	RU	RU	RU	RU	RU
Default	0	0	0	0	0	0	0	0	0	0	0	0	0	0	0	0

Register: **Subsystem vendor identification**
 Offset: 2Ch
 Type: Read/Update
 Default: 0000h

11.10 Subsystem Identification Register

The subsystem identification register, used for system and option card identification purposes, may be required for certain operating systems. This read-only register is initialized through the EEPROM and can be written through the subsystem access register at PCI offset 50h (see Section 11.22). All bits in this register are reset by \overline{GRST} only.

Bit	15	14	13	12	11	10	9	8	7	6	5	4	3	2	1	0
Name	Subsystem identification															
Type	RU	RU	RU	RU	RU	RU	RU	RU	RU	RU	RU	RU	RU	RU	RU	RU
Default	0	0	0	0	0	0	0	0	0	0	0	0	0	0	0	0

Register: **Subsystem identification**
 Offset: 2Eh
 Type: Read/Update
 Default: 0000h

11.11 Capabilities Pointer Register

The power management capabilities pointer register provides a pointer into the PCI configuration header where the power-management register block resides. Since the PCI power management registers begin at 44h, this read-only register is hardwired to 44h.

Bit	7	6	5	4	3	2	1	0
Name	Capabilities pointer							
Type	R	R	R	R	R	R	R	R
Default	0	1	0	0	0	1	0	0

Register: **Capabilities pointer**
 Offset: 34h
 Type: Read-only
 Default: 44h

11.12 Interrupt Line Register

The interrupt line register is programmed by the system and indicates to the software which interrupt line the flash media interface has assigned to it. The default value of this register is FFh, indicating that an interrupt line has not yet been assigned to the function.

Bit	7	6	5	4	3	2	1	0
Name	Interrupt line							
Type	RW	RW	RW	RW	RW	RW	RW	RW
Default	1	1	1	1	1	1	1	1

Register: **Interrupt line**
 Offset: 3Ch
 Type: Read/Write
 Default: FFh

11.13 Interrupt Pin Register

This register decodes the interrupt select inputs and returns the proper interrupt value based on Table 11–8, indicating that the flash media interface uses an interrupt. If one of the USE_INTx terminals is asserted, the interrupt select bits are ignored, and this register returns the interrupt value for the highest priority USE_INTx terminal that is asserted. If bit 28, the tie-all bit (TIEALL), in the system control register (PCI offset 80h, see Section 4.29) is set to 1, then the PCI7x21/PCI7x11 controller asserts the USE_INTA input to the flash media controller core. If bit 28 (TIEALL) in the system control register (PCI offset 80h, see Section 4.29) is set to 0, then none of the USE_INTx inputs are asserted and the interrupt for the flash media function is selected by the INT_SEL bits in the flash media general control register.

Bit	7	6	5	4	3	2	1	0
Name	Interrupt pin							
Type	R	R	R	R	R	R	R	R
Default	0	0	0	0	0	X	X	X

Register: **Interrupt pin**
 Offset: 3Dh
 Type: Read-only
 Default: 0Xh

Table 11–8. PCI Interrupt Pin Register

INT_SEL BITS	USE_INTA	INTPIN
00	0	01h ($\overline{\text{INTA}}$)
01	0	02h ($\overline{\text{INTB}}$)
10	0	03h ($\overline{\text{INTC}}$)
11	0	04h ($\overline{\text{INTD}}$)
XX	1	01h ($\overline{\text{INTA}}$)

11.14 Minimum Grant Register

The minimum grant register contains the minimum grant value for the flash media controller core.

Bit	7	6	5	4	3	2	1	0
Name	Minimum grant							
Type	RU	RU	RU	RU	RU	RU	RU	RU
Default	0	0	0	0	0	1	1	1

Register: **Minimum grant**
 Offset: 3Eh
 Type: Read/Update
 Default: 07h

Table 11–9. Minimum Grant Register Description

BIT	FIELD NAME	TYPE	DESCRIPTION
7–0	MIN_GNT	RU	Minimum grant. The contents of this field may be used by host BIOS to assign a latency timer register value to the flash media controller. The default for this register indicates that the flash media controller may need to sustain burst transfers for nearly 64 μ s and thus request a large value be programmed in bits 15–8 of the PCI7x21/PCI7x11 latency timer and class cache line size register at offset 0Ch in the PCI configuration space (see Section 11.6).

11.15 Maximum Latency Register

The maximum latency register contains the maximum latency value for the flash media controller core.

Bit	7	6	5	4	3	2	1	0
Name	Maximum latency							
Type	RU	RU	RU	RU	RU	RU	RU	RU
Default	0	0	0	0	0	1	0	0

Register: **Maximum latency**
 Offset: 3Eh
 Type: Read/Update
 Default: 04h

Table 11–10. Maximum Latency Register Description

BIT	FIELD NAME	TYPE	DESCRIPTION
7–0	MAX_LAT	RU	Maximum latency. The contents of this field may be used by host BIOS to assign an arbitration priority level to the flash media controller. The default for this register indicates that the flash media controller may need to access the PCI bus as often as every 0.25 μ s; thus, an extremely high priority level is requested. The contents of this field may also be loaded through the serial EEPROM.

11.16 Capability ID and Next Item Pointer Registers

The capability ID and next item pointer register identifies the linked-list capability item and provides a pointer to the next capability item. See Table 11–11 for a complete description of the register contents.

Bit	15	14	13	12	11	10	9	8	7	6	5	4	3	2	1	0
Name	Capability ID and next item pointer															
Type	R	R	R	R	R	R	R	R	R	R	R	R	R	R	R	R
Default	0	0	0	0	0	0	0	0	0	0	0	0	0	0	0	1

Register: **Capability ID and next item pointer**
 Offset: 44h
 Type: Read-only
 Default: 0001h

Table 11–11. Capability ID and Next Item Pointer Registers Description

BIT	FIELD NAME	TYPE	DESCRIPTION
15–8	NEXT_ITEM	R	Next item pointer. The flash media controller supports only one additional capability, PCI power management, that is communicated to the system through the extended capabilities list; therefore, this field returns 00h when read.
7–0	CAPABILITY_ID	R	Capability identification. This field returns 01h when read, which is the unique ID assigned by the PCI SIG for PCI power-management capability.

11.17 Power Management Capabilities Register

The power management capabilities register indicates the capabilities of the flash media controller related to PCI power management. See Table 11–12 for a complete description of the register contents.

Bit	15	14	13	12	11	10	9	8	7	6	5	4	3	2	1	0
Name	Power management capabilities															
Type	RU	R	R	R	R	R	R	R	R	R	R	R	R	R	R	R
Default	0	1	1	1	1	1	1	0	0	0	0	0	0	0	1	0

Register: **Power management capabilities**

Offset: 46h

Type: Read/Update, Read-only

Default: 7E02h

Table 11–12. Power Management Capabilities Register Description

BIT	FIELD NAME	TYPE	DESCRIPTION
15	PME_D3COLD	RU	$\overline{\text{PME}}$ support from D3 _{cold} . This bit can be set to 1 or cleared to 0 via bit 4 (D3_COLD) in the general control register at offset 4Ch in the PCI configuration space (see Section 11.21). When this bit is set to 1, it indicates that the controller is capable of generating a $\overline{\text{PME}}$ wake event from D3 _{cold} . This bit state is dependent upon the PCI7x21/PCI7x11 V _{AUX} implementation and may be configured by using bit 4 (D3_COLD) in the general control register (see Section 11.21).
14–11	PME_SUPPORT	R	$\overline{\text{PME}}$ support. This 4-bit field indicates the power states from which the flash media interface may assert $\overline{\text{PME}}$. This field returns a value of 1111b by default, indicating that $\overline{\text{PME}}$ may be asserted from the D3 _{hot} , D2, D1, and D0 power states.
10	D2_SUPPORT	R	D2 support. Bit 10 is hardwired to 1, indicating that the flash media controller supports the D2 power state.
9	D1_SUPPORT	R	D1 support. Bit 9 is hardwired to 1, indicating that the flash media controller supports the D1 power state.
8–6	AUX_CURRENT	R	Auxiliary current. This 3-bit field reports the 3.3-V _{AUX} auxiliary current requirements. When bit 15 (PME_D3COLD) is cleared, this field returns 000b; otherwise, it returns 001b. 000b = Self-powered 001b = 55 mA (3.3-V _{AUX} maximum current required)
5	DSI	R	Device-specific initialization. This bit returns 0 when read, indicating that the flash media controller does not require special initialization beyond the standard PCI configuration header before a generic class driver is able to use it.
4	RSVD	R	Reserved. Bit 4 returns 0 when read.
3	PME_CLK	R	$\overline{\text{PME}}$ clock. This bit returns 0 when read, indicating that the PCI clock is not required for the flash media controller to generate $\overline{\text{PME}}$.
2–0	PM_VERSION	R	Power-management version. This field returns 010b when read, indicating that the flash media controller is compatible with the registers described in the <i>PCI Bus Power Management Interface Specification</i> (Revision 1.1).

11.18 Power Management Control and Status Register

The power management control and status register implements the control and status of the flash media controller. This register is not affected by the internally generated reset caused by the transition from the D3_{hot} to D0 state. See Table 11–13 for a complete description of the register contents.

Bit	15	14	13	12	11	10	9	8	7	6	5	4	3	2	1	0
Name	Power management control and status															
Type	RCU	R	R	R	R	R	R	RW	R	R	R	R	R	R	RW	RW
Default	0	0	0	0	0	0	0	0	0	0	0	0	0	0	0	0

Register: **Power management control and status**
 Offset: 48h
 Type: Read/Clear, Read/Write, Read-only
 Default: 0000h

Table 11–13. Power Management Control and Status Register Description

BIT	FIELD NAME	TYPE	DESCRIPTION
15 ‡	PME_STAT	RCU	$\overline{\text{PME}}$ status. This bit defaults to 0.
14–13	DATA_SCALE	R	This field returns 0s, because the data register is not implemented.
12–9	DATA_SELECT	R	This field returns 0s, because the data register is not implemented.
8 ‡	PME_EN	RW	$\overline{\text{PME}}$ enable. Enables $\overline{\text{PME}}$ signaling. assertion is disabled.
7–2	RSVD	R	Reserved. Bits 7–2 return 0s when read.
1–0 ‡	PWR_STATE	RW	Power state. This 2-bit field determines the current power state and sets the flash media controller to a new power state. This field is encoded as follows: 00 = Current power state is D0. 01 = Current power state is D1. 10 = Current power state is D2. 11 = Current power state is D3 _{hot} .

‡ One or more bits in this register are cleared only by the assertion of $\overline{\text{GRST}}$.

11.19 Power Management Bridge Support Extension Register

The power management bridge support extension register provides extended power-management features not applicable to the flash media controller; thus, it is read-only and returns 0 when read.

Bit	7	6	5	4	3	2	1	0
Name	Power management bridge support extension							
Type	R	R	R	R	R	R	R	R
Default	0	0	0	0	0	0	0	0

Register: **Power management bridge support extension**
 Offset: 4Ah
 Type: Read-only
 Default: 00h

11.20 Power Management Data Register

The power management bridge support extension register provides extended power-management features not applicable to the flash media controller; thus, it is read-only and returns 0 when read.

Bit	7	6	5	4	3	2	1	0
Name	Power management data							
Type	R	R	R	R	R	R	R	R
Default	0	0	0	0	0	0	0	0

Register: **Power management data**
 Offset: 4Bh
 Type: Read-only
 Default: 00h

11.21 General Control Register

The general control register provides miscellaneous PCI-related configuration. See Table 11–14 for a complete description of the register contents.

Bit	7	6	5	4	3	2	1	0
Name	General control							
Type	R	R	R	RW	RW	RW	RW	RW
Default	0	0	0	0	0	0	0	0

Register: **General control**
 Offset: 4Ch
 Type: Read/Write, Read-only
 Default: 00h

Table 11–14. General Control Register

BIT	FIELD NAME	TYPE	DESCRIPTION
7	RSVD	R	Reserved. Bit 7 returns 0 when read.
6–5 ‡	INT_SEL	RW	Interrupt select. These bits are program the INTPIN register and set which interrupt output is used. This field is ignored if one of the USE_INTx terminals is asserted. 00 = $\overline{\text{INTA}}$ 01 = $\overline{\text{INTB}}$ 10 = $\overline{\text{INTC}}$ 11 = $\overline{\text{INTD}}$
4 ‡	D3_COLD	RW	D3 _{cold} $\overline{\text{PME}}$ support. This bit sets and clears the D3 _{cold} $\overline{\text{PME}}$ support bit in the power management capabilities register.
3	RSVD	R	Reserved. Bit 3 returns 0 when read.
2 ‡	SM_DIS	RW	SmartMedia disable. Setting this bit disables support for SmartMedia cards. The flash media controller reports a SmartMedia card as an unsupported card if this bit is set. If this bit is set, then all of the SM_SUPPORT bits in the socket enumeration register are 0.
1 ‡	MMC_SD_DIS	RW	MMC/SD disable. Setting this bit disables support for MMC/SD cards. The flash media controller reports a MMC/SD card as an unsupported card if this bit is set. If this bit is set, then all of the SD_SUPPORT bits in the socket enumeration register are 0.
0 ‡	MS_DIS	RW	Memory Stick disable. Setting this bit disables support for Memory Stick cards. The flash media controller reports a Memory Stick card as an unsupported card if this bit is set. If this bit is set, then all of the MS_SUPPORT bits in the socket enumeration register are 0.

‡ One or more bits in this register are cleared only by the assertion of $\overline{\text{GRST}}$.

11.22 Subsystem Access Register

The contents of the subsystem access register are aliased to the subsystem vendor ID and subsystem ID registers at PCI offsets 2Ch and 2Eh, respectively. See Table 11–15 for a complete description of the register contents.

Bit	31	30	29	28	27	26	25	24	23	22	21	20	19	18	17	16
Name	Subsystem access															
Type	RW	RW	RW	RW	RW	RW	RW	RW	RW	RW	RW	RW	RW	RW	RW	RW
Default	0	0	0	0	0	0	0	0	0	0	0	0	0	0	0	0
Bit	15	14	13	12	11	10	9	8	7	6	5	4	3	2	1	0
Name	Subsystem access															
Type	RW	RW	RW	RW	RW	RW	RW	RW	RW	RW	RW	RW	RW	RW	RW	RW
Default	0	0	0	0	0	0	0	0	0	0	0	0	0	0	0	0

Register: **Subsystem access**
 Offset: 50h
 Type: Read/Write
 Default: 0000 0000h

Table 11–15. Subsystem Access Register Description

BIT	FIELD NAME	TYPE	DESCRIPTION
31–16	SubsystemID	RW	Subsystem device ID. The value written to this field is aliased to the subsystem ID register at PCI offset 2Eh.
15–0	SubsystemVendorID	RW	Subsystem vendor ID. The value written to this field is aliased to the subsystem vendor ID register at PCI offset 2Ch.

11.23 Diagnostic Register

This register programs the M and N inputs to the PLL and enables the diagnostic modes. The default values for M and N in this register set the PLL output to be 80 MHz, which is divided to get the 40 MHz and 20 MHz needed by the flash media cores. See Table 11–16 for a complete description of the register contents. All bits in this register are reset by GRST only.

Bit	31	30	29	28	27	26	25	24	23	22	21	20	19	18	17	16
Name	Diagnostic															
Type	R	R	R	R	R	R	R	R	R	R	R	R	R	R	R	R/W
Default	0	0	0	0	0	0	0	0	0	0	0	0	0	0	0	0
Bit	15	14	13	12	11	10	9	8	7	6	5	4	3	2	1	0
Name	Diagnostic															
Type	R	R	R	R	R	R	R	R/W	R	R	R	RW	RW	RW	RW	RW
Default	0	0	0	0	0	0	0	1	0	0	0	0	0	1	0	1

Register: **Diagnostic**
 Type: Read-only, Read/Write
 Offset: 54h
 Default: 0000 0105h

Table 11–16. Diagnostic Register Description

BIT	SIGNAL	TYPE	FUNCTION
31–17	TBD_CTRL	R	PLL control bits. These bits are reserved for PLL control and test bits.
16	DIAGNOSTIC	RW	Diagnostic test bit. This test bit shortens the PLL clock CLK_VALID time and shortens the card detect debounce times for simulation and TDL.
15–11	RSVD	R	Reserved. Bits 15–11 return 0s when read.
10–8	PLL_N	RW	PLL_N input. The default value of this field is 01h.
7–5	RSVD	R	Reserved. Bits 7–5 return 0s when read.
4–0	PLL_M	RW	PLL_M input. The default value of this field is 05h.

12 SD Host Controller Programming Model

This section describes the internal PCI configuration registers used to program the PCI7x21/PCI7x11 SD host controller interface. All registers are detailed in the same format: a brief description for each register is followed by the register offset and a bit table describing the reset state for each register.

A bit description table, typically included when the register contains bits of more than one type or purpose, indicates bit field names, a detailed field description, and field access tags which appear in the *type* column. Table 4–1 describes the field access tags.

The PCI7x21/PCI7x11 controller is a multifunction PCI device. The SD host controller core is integrated as PCI function 4. The function 4 configuration header is compliant with the *PCI Local Bus Specification* as a standard header. Table 12–1 illustrates the configuration header that includes both the predefined portion of the configuration space and the user-definable registers.

Table 12–1. Function 4 Configuration Register Map

REGISTER NAME				OFFSET
Device ID		Vendor ID		00h
Status		Command		04h
Class code			Revision ID	08h
BIST	Header type	Latency timer	Cache line size	0Ch
Slot 0 base address				10h
Slot 1 base address				14h
Slot 2 base address				18h
Reserved				1Ch–28h
Subsystem ID ‡		Subsystem vendor ID ‡		2Ch
Reserved				30h
Reserved			PCI power management capabilities pointer	34h
Reserved				38h
Maximum latency	Minimum grant	Interrupt pin	Interrupt line	3Ch
Reserved			Slot information	40h
Reserved				44h–7Ch
Power management capabilities		Next item pointer	Capability ID	80h
PM data (Reserved)	PMCSR_BSE	Power management control and status ‡		84h
Reserved		General control ‡		88h
Subsystem alias				8Ch
Diagnostic ‡				90h
Reserved			Slot 0 3.3-V maximum current	94h
Reserved			Slot 1 3.3-V maximum current	98h
Reserved			Slot 2 3.3-V maximum current	9Ch
Reserved				A0h–FCh

‡ One or more bits in this register are cleared only by the assertion of \overline{GRST} .

12.1 Vendor ID Register

The vendor ID register contains a value allocated by the PCI SIG and identifies the manufacturer of the PCI device. The vendor ID assigned to Texas Instruments is 104Ch.

Bit	15	14	13	12	11	10	9	8	7	6	5	4	3	2	1	0
Name	Vendor ID															
Type	R	R	R	R	R	R	R	R	R	R	R	R	R	R	R	R
Default	0	0	0	1	0	0	0	0	0	1	0	0	1	1	0	0

Register: **Vendor ID**
Offset: 00h
Type: Read-only
Default: 104Ch

12.2 Device ID Register

The device ID register contains a value assigned to the SD host controller by Texas Instruments. The device identification for the SD host controller is 8034h.

Bit	15	14	13	12	11	10	9	8	7	6	5	4	3	2	1	0
Name	Device ID															
Type	R	R	R	R	R	R	R	R	R	R	R	R	R	R	R	R
Default	1	0	0	0	0	0	0	0	0	0	1	1	0	1	0	0

Register: **Device ID**
Offset: 02h
Type: Read-only
Default: 8034h

12.3 Command Register

The command register provides control over the SD host controller interface to the PCI bus. All bit functions adhere to the definitions in the *PCI Local Bus Specification*, as seen in the following bit descriptions. See Table 12–2 for a complete description of the register contents.

Bit	15	14	13	12	11	10	9	8	7	6	5	4	3	2	1	0
Name	Command															
Type	R	R	R	R	R	RW	R	RW	R	RW	R	RW	R	RW	RW	R
Default	0	0	0	0	0	0	0	0	0	0	0	0	0	0	0	0

Register: **Command**
 Offset: 04h
 Type: Read/Write, Read-only
 Default: 0000h

Table 12–2. Command Register Description

BIT	FIELD NAME	TYPE	DESCRIPTION
15–11	RSVD	R	Reserved. Bits 15–11 return 0s when read.
10	INT_DISABLE	RW	$\overline{\text{INTx}}$ disable. When set to 1, this bit disables the function from asserting interrupts on the $\overline{\text{INTx}}$ signals. 0 = $\overline{\text{INTx}}$ assertion is enabled (default) 1 = $\overline{\text{INTx}}$ assertion is disabled
9	FBB_ENB	R	Fast back-to-back enable. The SD host controller does not generate fast back-to-back transactions; therefore, bit 9 returns 0 when read.
8	SERR_ENB	RW	$\overline{\text{SERR}}$ enable. When bit 8 is set to 1, the SD host controller $\overline{\text{SERR}}$ driver is enabled. $\overline{\text{SERR}}$ can be asserted after detecting an address parity error on the PCI bus.
7	STEP_ENB	R	Address/data stepping control. The SD host controller does not support address/data stepping; therefore, bit 7 is hardwired to 0.
6	PERR_ENB	RW	Parity error enable. When bit 6 is set to 1, the SD host controller is enabled to drive $\overline{\text{PERR}}$ response to parity errors through the $\overline{\text{PERR}}$ signal.
5	VGA_ENB	R	VGA palette snoop enable. The SD host controller does not feature VGA palette snooping; therefore, bit 5 returns 0 when read.
4	MWI_ENB	RW	Memory write and invalidate enable. The SD host controller does not generate memory write invalidate transactions; therefore, bit 4 returns 0 when read.
3	SPECIAL	R	Special cycle enable. The SD host controller does not respond to special cycle transactions; therefore, bit 3 returns 0 when read.
2	MASTER_ENB	RW	Bus master enable. When bit 2 is set to 1, the SD host controller is enabled to initiate cycles on the PCI bus.
1	MEMORY_ENB	RW	Memory response enable. Setting bit 1 to 1 enables the SD host controller to respond to memory cycles on the PCI bus.
0	IO_ENB	R	I/O space enable. The SD host controller does not implement any I/O-mapped functionality; therefore, bit 0 returns 0 when read.

12.4 Status Register

The status register provides device information to the host system. All bit functions adhere to the definitions in the *PCI Local Bus Specification*, as seen in the following bit descriptions. Bits in this register may be read normally. A bit in the status register is reset when a 1 is written to that bit location; a 0 written to a bit location has no effect. See Table 12–3 for a complete description of the register contents.

Bit	15	14	13	12	11	10	9	8	7	6	5	4	3	2	1	0
Name	Status															
Type	RCU	RCU	RCU	RCU	RCU	R	R	RCU	R	R	R	R	RU	R	R	R
Default	0	0	0	0	0	0	1	0	0	0	0	1	0	0	0	0

Register: **Status**
 Offset: 06h
 Type: Read/Clear/Update, Read-only
 Default: 0210h

Table 12–3. Status Register Description

BIT	FIELD NAME	TYPE	DESCRIPTION
15	PAR_ERR	RCU	Detected parity error. Bit 15 is set to 1 when either an address parity or data parity error is detected.
14	SYS_ERR	RCU	Signaled system error. Bit 14 is set to 1 when \overline{SERR} is enabled and the SD host controller has signaled a system error to the host.
13	MABORT	RCU	Received master abort. Bit 13 is set to 1 when a cycle initiated by the SD host controller on the PCI bus has been terminated by a master abort.
12	TABORT_REC	RCU	Received target abort. Bit 12 is set to 1 when a cycle initiated by the SD host controller on the PCI bus was terminated by a target abort.
11	TABORT_SIG	RCU	Signaled target abort. Bit 11 is set to 1 by the SD host controller when it terminates a transaction on the PCI bus with a target abort.
10–9	PCI_SPEED	R	DEVSEL timing. Bits 10 and 9 encode the timing of \overline{DEVSEL} and are hardwired to 01b, indicating that the SD host controller asserts this signal at a medium speed on nonconfiguration cycle accesses.
8	DATAPAR	RCU	Data parity error detected. Bit 8 is set to 1 when the following conditions have been met: a. \overline{PERR} was asserted by any PCI device including the SD host controller. b. The SD host controller was the bus master during the data parity error. c. Bit 6 (PERR_EN) in the command register at offset 04h in the PCI configuration space (see Section 12.3) is set to 1.
7	FBB_CAP	R	Fast back-to-back capable. The SD host controller cannot accept fast back-to-back transactions; therefore, bit 7 is hardwired to 0.
6	UDF	R	User-definable features (UDF) supported. The SD host controller does not support the UDF; therefore, bit 6 is hardwired to 0.
5	66MHZ	R	66-MHz capable. The SD host controller operates at a maximum PCLK frequency of 33 MHz; therefore, bit 5 is hardwired to 0.
4	CAPLIST	R	Capabilities list. Bit 4 returns 1 when read, indicating that the SD host controller supports additional PCI capabilities.
3	INT_STATUS	RU	Interrupt status. This bit reflects the interrupt status of the function. Only when bit 10 (INT_DISABLE) in the command register (see Section 12.3) is a 0 and this bit is 1, is the function's \overline{INTx} signal asserted. Setting the INT_DISABLE bit to 1 has no effect on the state of this bit. This bit is set only when a valid interrupt condition exists. This bit is not set when an interrupt condition exists and signaling of that event is not enabled.
2–0	RSVD	R	Reserved. Bits 3–0 return 0s when read.

12.5 Class Code and Revision ID Register

The class code and revision ID register categorizes the base class, subclass, and programming interface of the function. The base class is 08h, identifying the controller as a generic system peripheral. The subclass is 05h, identifying the function as an SD host controller. The programming interface is 01h, indicating that the function is a standard SD host with DMA capabilities. Furthermore, the TI chip revision is indicated in the least significant byte (00h). See Table 12–4 for a complete description of the register contents.

Bit	31	30	29	28	27	26	25	24	23	22	21	20	19	18	17	16
Name	Class code and revision ID															
Type	R	R	R	R	R	R	R	R	R	R	R	R	R	R	R	R
Default	0	0	0	0	1	0	0	0	0	0	0	0	0	1	0	1
Bit	15	14	13	12	11	10	9	8	7	6	5	4	3	2	1	0
Name	Class code and revision ID															
Type	R	R	R	R	R	R	R	R	R	R	R	R	R	R	R	R
Default	0	0	0	0	0	0	0	X	X	X	X	X	X	X	X	X

Register: **Class code and revision ID**
 Offset: 08h
 Type: Read-only
 Default: 0805 0XXXh

Table 12–4. Class Code and Revision ID Register Description

BIT	FIELD NAME	TYPE	DESCRIPTION
31–24	BASECLASS	R	Base class. This field returns 08h when read, which broadly classifies the function as a generic system peripheral.
23–16	SUBCLASS	R	Subclass. This field returns 05h when read, which specifically classifies the function as an SD host controller.
15–8	PGMIF	R	Programming interface. If bit 0 (DMA_EN) in the general control register is 0, then this field returns 00h when read to indicate that the function is a standard SD host without DMA capabilities. If the DMA_EN bit is 1, then this field returns 01h when read to indicate that the function is a standard SD host with DMA capabilities.
7–0	CHIPREV	R	Silicon revision. This field returns the silicon revision of the SD host controller.

12.6 Latency Timer and Class Cache Line Size Register

The latency timer and class cache line size register is programmed by host BIOS to indicate system cache line size and the latency timer associated with the SD host controller. See Table 12–5 for a complete description of the register contents.

Bit	15	14	13	12	11	10	9	8	7	6	5	4	3	2	1	0
Name	Latency timer and class cache line size															
Type	RW	RW	RW	RW	RW	RW	RW	RW	RW	RW	RW	RW	RW	RW	RW	RW
Default	0	0	0	0	0	0	0	0	0	0	0	0	0	0	0	0

Register: **Latency timer and class cache line size**
 Offset: 0Ch
 Type: Read/Write
 Default: 0000h

Table 12–5. Latency Timer and Class Cache Line Size Register Description

BIT	FIELD NAME	TYPE	DESCRIPTION
15–8	LATENCY_TIMER	RW	PCI latency timer. The value in this register specifies the latency timer for the SD host controller, in units of PCI clock cycles. When the SD host controller is a PCI bus initiator and asserts FRAME, the latency timer begins counting from zero. If the latency timer expires before the SD host transaction has terminated, then the SD host controller terminates the transaction when its $\overline{\text{GNT}}$ is deasserted.
7–0	CACHELINE_SZ	RW	Cache line size. This value is used by the SD host controller during memory write and invalidate, memory-read line, and memory-read multiple transactions.

12.7 Header Type and BIST Register

The header type and built-in self-test (BIST) register indicates the SD host controller PCI header type and no built-in self-test. See Table 12–6 for a complete description of the register contents.

Bit	15	14	13	12	11	10	9	8	7	6	5	4	3	2	1	0
Name	Header type and BIST															
Type	R	R	R	R	R	R	R	R	R	R	R	R	R	R	R	R
Default	0	0	0	0	0	0	0	0	0	1	0	0	0	0	0	0

Register: **Header type and BIST**
 Offset: 0Eh
 Type: Read-only
 Default: 0080h

Table 12–6. Header Type and BIST Register Description

BIT	FIELD NAME	TYPE	DESCRIPTION
15–8	BIST	R	Built-in self-test. The SD host controller does not include a BIST; therefore, this field returns 00h when read.
7–0	HEADER_TYPE	R	PCI header type. The SD host controller includes the standard PCI header. Bit 7 indicates if the SD host is a multifunction device.

12.8 SD Host Base Address Register

The SD host base address register specifies the base address of the memory-mapped interface registers for each standard SD host socket. The size of each base address register (BAR) is 256 bytes. The number of BARs is dependent on the number of SD sockets in the implementation. See Table 12–7 for a complete description of the register contents.

Bit	31	30	29	28	27	26	25	24	23	22	21	20	19	18	17	16
Name	SD host base address															
Type	RW	RW	RW	RW	RW	RW	RW	RW	RW	RW	RW	RW	RW	RW	RW	RW
Default	0	0	0	0	0	0	0	0	0	0	0	0	0	0	0	0
Bit	15	14	13	12	11	10	9	8	7	6	5	4	3	2	1	0
Name	SD host base address															
Type	RW	RW	RW	RW	RW	R	R	R	R	R	R	R	R	R	R	R
Default	0	0	0	0	0	0	0	0	0	0	0	0	0	0	0	0

Register: **SD host base address**
 Offset: 10h
 Type: Read/Write, Read-only
 Default: 0000 0000h

Table 12–7. SD host Base Address Register Description

BIT	FIELD NAME	TYPE	DESCRIPTION
31–8	BAR	RW	Base address. This field specifies the upper 24 bits of the 32-bit starting base address. The size of the base address is 256 bytes.
7–4	RSVD	R	Reserved. Bits 7–4 return 0s when read.
3	PREFETCHABLE	R	Prefetchable indicator. This bit is hardwired to 0 to indicate that the memory space is not prefetchable.
2–1	TYPE	R	This field is hardwired to 00 to indicate that the base address is located in 32-bit address space.
0	MEM_INDICATOR	R	Memory space indicator. Bit 0 is hardwired to 0 to indicate that the base address maps into memory space.

12.9 Subsystem Vendor Identification Register

The subsystem identification register, used for system and option card identification purposes, may be required for certain operating systems. This read-only register is initialized through the EEPROM and can be written through the subsystem access register at PCI offset 8Ch (see Section 12.23). All bits in this register are reset by $\overline{\text{GRST}}$ only.

Bit	15	14	13	12	11	10	9	8	7	6	5	4	3	2	1	0
Name	Subsystem vendor identification															
Type	RU	RU	RU	RU	RU	RU	RU	RU	RU	RU	RU	RU	RU	RU	RU	RU
Default	0	0	0	0	0	0	0	0	0	0	0	0	0	0	0	0

Register: **Subsystem vendor identification**
 Offset: 2Ch
 Type: Read/Update
 Default: 0000h

12.10 Subsystem Identification Register

The subsystem identification register, used for system and option card identification purposes, may be required for certain operating systems. This read-only register is initialized through the EEPROM and can be written through the subsystem access register at PCI offset 8Ch (see Section 12.23). All bits in this register are reset by \overline{GRST} only.

Bit	15	14	13	12	11	10	9	8	7	6	5	4	3	2	1	0
Name	Subsystem identification															
Type	RU	RU	RU	RU	RU	RU	RU	RU	RU	RU	RU	RU	RU	RU	RU	RU
Default	0	0	0	0	0	0	0	0	0	0	0	0	0	0	0	0

Register: **Subsystem identification**
 Offset: 2Eh
 Type: Read/Update
 Default: 0000h

12.11 Capabilities Pointer Register

The power management capabilities pointer register provides a pointer into the PCI configuration header where the power-management register block resides. Since the PCI power management registers begin at 80h, this read-only register is hardwired to 80h.

Bit	7	6	5	4	3	2	1	0
Name	Capabilities pointer							
Type	R	R	R	R	R	R	R	R
Default	1	0	0	0	0	0	0	0

Register: **Capabilities pointer**
 Offset: 34h
 Type: Read-only
 Default: 80h

12.12 Interrupt Line Register

The interrupt line register is programmed by the system and indicates to the software which interrupt line the SD host controller has assigned to it. The default value of this register is FFh, indicating that an interrupt line has not yet been assigned to the function.

Bit	7	6	5	4	3	2	1	0
Name	Interrupt line							
Type	RW	RW	RW	RW	RW	RW	RW	RW
Default	1	1	1	1	1	1	1	1

Register: **Interrupt line**
 Offset: 3Ch
 Type: Read/Write
 Default: FFh

12.13 Interrupt Pin Register

This register decodes the interrupt select inputs and returns the proper interrupt value based on Table 12–8, indicating that the SD host controller uses an interrupt. If one of the USE_INTx terminals is asserted, the interrupt select bits are ignored, and this register returns the interrupt value for the highest priority USE_INTx terminal that is asserted. If bit 28, the tie-all bit (TIEALL), in the system control register (PCI offset 80h, see Section 4.29) is set to 1, then the PCI7x21/PCI7x11 controller asserts the USE_INTA input to the SD host controller core. If bit 28 (TIEALL) in the system control register (PCI offset 80h, see Section 4.29) is set to 0, then none of the USE_INTx inputs are asserted and the interrupt for the SD host controller function is selected by the INT_SEL bits in the SD host general control register.

Bit	7	6	5	4	3	2	1	0
Name	Interrupt pin							
Type	R	R	R	R	R	R	R	R
Default	0	0	0	0	0	X	X	X

Register: **Interrupt pin**
 Offset: 3Dh
 Type: Read-only
 Default: 0Xh

Table 12–8. PCI Interrupt Pin Register

INT_SEL BITS	USE_INTA	INTPIN
00	0	01h ($\overline{\text{INTA}}$)
01	0	02h ($\overline{\text{INTB}}$)
10	0	03h ($\overline{\text{INTC}}$)
11	0	04h ($\overline{\text{INTD}}$)
XX	1	01h (INTA)

12.14 Minimum Grant Register

The minimum grant register contains the minimum grant value for the SD host controller core.

Bit	7	6	5	4	3	2	1	0
Name	Minimum grant							
Type	RU	RU	RU	RU	RU	RU	RU	RU
Default	0	0	0	0	0	1	1	1

Register: **Minimum grant**
 Offset: 3Eh
 Type: Read/Update
 Default: 07h

Table 12–9. Minimum Grant Register Description

BIT	FIELD NAME	TYPE	DESCRIPTION
7–0	MIN_GNT	RU	Minimum grant. The contents of this field may be used by host BIOS to assign a latency timer register value to the SD host controller. The default for this register indicates that the SD host controller may need to sustain burst transfers for nearly 64 μ s and thus request a large value be programmed in bits 15–8 of the PCI7x21/PCI7x11 latency timer and class cache line size register at offset 0Ch in the PCI configuration space (see Section 12.6).

12.15 Maximum Latency Register

The maximum latency register contains the maximum latency value for the SD host controller core.

Bit	7	6	5	4	3	2	1	0
Name	Maximum latency							
Type	RU	RU	RU	RU	RU	RU	RU	RU
Default	0	0	0	0	0	1	0	0

Register: **Maximum latency**
 Offset: 3Fh
 Type: Read/Update
 Default: 04h

Table 12–10. Maximum Latency Register Description

BIT	FIELD NAME	TYPE	DESCRIPTION
7–0	MAX_LAT	RU	Maximum latency. The contents of this field may be used by host BIOS to assign an arbitration priority level to the SD host controller. The default for this register indicates that the SD host controller may need to access the PCI bus as often as every 0.25 μ s; thus, an extremely high priority level is requested. The contents of this field may also be loaded through the serial EEPROM.

12.16 Slot Information Register

This read-only register contains information on the number of SD sockets implemented and the base address Registers used.

Bit	7	6	5	4	3	2	1	0
Name	Slot information							
Type	R	R	R	R	R	R	R	R
Default	0	X	X	X	0	0	0	0

Register: **Maximum latency**
 Offset: 40h
 Type: Read/Update
 Default: X0h

Table 12–11. Maximum Latency Register Description

BIT	FIELD NAME	TYPE	DESCRIPTION
7	RSVD	R	Reserved. This bit returns 0 when read.
6–4	NUMBER_SLOTS	R	Number of slots. This field indicates the number of SD sockets supported by the SD host controller. Since the controller supports three SD sockets, this field returns 010 when read.
3	RSVD	R	Reserved. This bit returns 0 when read.
2–0	FIRST_BAR	R	First base address register number. This field is hardwired to 000b to indicate that the first BAR used for the SD host standard registers is BAR0.

12.17 Capability ID and Next Item Pointer Registers

The capability ID and next item pointer register identifies the linked-list capability item and provides a pointer to the next capability item. See Table 12–12 for a complete description of the register contents.

Bit	15	14	13	12	11	10	9	8	7	6	5	4	3	2	1	0
Name	Capability ID and next item pointer															
Type	R	R	R	R	R	R	R	R	R	R	R	R	R	R	R	R
Default	0	0	0	0	0	0	0	0	0	0	0	0	0	0	0	1

Register: **Capability ID and next item pointer**

Offset: 80h

Type: Read-only

Default: 0001h

Table 12–12. Capability ID and Next Item Pointer Registers Description

BIT	FIELD NAME	TYPE	DESCRIPTION
15–8	NEXT_ITEM	R	Next item pointer. The SD host controller supports only one additional capability, PCI power management, that is communicated to the system through the extended capabilities list; therefore, this field returns 00h when read.
7–0	CAPABILITY_ID	R	Capability identification. This field returns 01h when read, which is the unique ID assigned by the PCI SIG for PCI power-management capability.

12.18 Power Management Capabilities Register

The power management capabilities register indicates the capabilities of the SD host controller related to PCI power management. See Table 12–13 for a complete description of the register contents.

Bit	15	14	13	12	11	10	9	8	7	6	5	4	3	2	1	0
Name	Power management capabilities															
Type	RU	R	R	R	R	R	R	R	R	R	R	R	R	R	R	R
Default	0	1	1	1	1	1	1	0	0	0	0	0	0	0	1	0

Register: **Power management capabilities**

Offset: 82h

Type: Read/Update, Read-only

Default: 7E02h

Table 12–13. Power Management Capabilities Register Description

BIT	FIELD NAME	TYPE	DESCRIPTION
15	PME_D3COLD	RU	$\overline{\text{PME}}$ support from D3 _{cold} . This bit can be set to 1 or cleared to 0 via bit 4 (D3_COLD) in the general control register at offset 88h in the PCI configuration space (see Section 12.22). When this bit is set to 1, it indicates that the SD host controller is capable of generating a $\overline{\text{PME}}$ wake event from D3 _{cold} . This bit state is dependent upon the SD host controller V _{AUX} implementation and may be configured by using bit 4 (D3_COLD) in the general control register (see Section 12.22).
14–11	PME_SUPPORT	R	$\overline{\text{PME}}$ support. This 4-bit field indicates the power states from which the SD host controller may assert $\overline{\text{PME}}$. This field returns a value of 1111b by default, indicating that $\overline{\text{PME}}$ may be asserted from the D3 _{hot} , D2, D1, and D0 power states.
10	D2_SUPPORT	R	D2 support. Bit 10 is hardwired to 1, indicating that the SD host controller supports the D2 power state.
9	D1_SUPPORT	R	D1 support. Bit 9 is hardwired to 1, indicating that the SD host controller supports the D1 power state.
8–6	AUX_CURRENT	R	3.3-V _{AUX} auxiliary current requirements. This requirement is design dependent.
5	DSI	R	Device-specific initialization. This bit returns 0 when read, indicating that the SD host controller does not require special initialization beyond the standard PCI configuration header before a generic class driver is able to use it.
4	RSVD	R	Reserved. Bit 4 returns 0 when read.
3	PME_CLK	R	$\overline{\text{PME}}$ clock. This bit returns 0 when read, indicating that the PCI clock is not required for the SD host controller to generate $\overline{\text{PME}}$.
2–0	PM_VERSION	R	Power-management version. This field returns 010b when read, indicating that the SD host controller is compatible with the registers described in the <i>PCI Bus Power Management Interface Specification</i> (Revision 1.1).

12.19 Power Management Control and Status Register

The power management control and status register implements the control and status of the SD host controller. This register is not affected by the internally generated reset caused by the transition from the D3_{hot} to D0 state. See Table 12–14 for a complete description of the register contents.

Bit	15	14	13	12	11	10	9	8	7	6	5	4	3	2	1	0
Name	Power management control and status															
Type	RCU	R	R	R	R	R	R	RW	R	R	R	R	R	R	RW	RW
Default	0	0	0	0	0	0	0	0	0	0	0	0	0	0	0	0

Register: **Power management control and status**
 Offset: 84h
 Type: Read/Clear, Read/Write, Read-only
 Default: 0000h

Table 12–14. Power Management Control and Status Register Description

BIT	FIELD NAME	TYPE	DESCRIPTION
15 ‡	PME_STAT	RCU	$\overline{\text{PME}}$ status. This bit defaults to 0.
14–13	DATA_SCALE	R	Data scale. This field returns 0s when read, because the SD host controller does not use the data register.
12–9	DATA_SELECT	R	Data select. This field returns 0s when read, because the SD host controller does not use the data register.
8 ‡	PME_EN	RW	$\overline{\text{PME}}$ enable. Enables $\overline{\text{PME}}$ signaling.
7–2	RSVD	R	Reserved. Bits 7–2 return 0s when read.
1–0 ‡	PWR_STATE	RW	Power state. This 2-bit field determines the current power state and sets the SD host controller to a new power state. This field is encoded as follows: 00 = Current power state is D0. 01 = Current power state is D1. 10 = Current power state is D2. 11 = Current power state is D3 _{hot} .

‡ One or more bits in this register are cleared only by the assertion of $\overline{\text{GRST}}$.

12.20 Power Management Bridge Support Extension Register

The power management bridge support extension register provides extended power-management features not applicable to the SD host controller; thus, it is read-only and returns 00h when read.

Bit	7	6	5	4	3	2	1	0
Name	Power management bridge support extension							
Type	R	R	R	R	R	R	R	R
Default	0	0	0	0	0	0	0	0

Register: **Power management bridge support extension**
 Offset: 86h
 Type: Read-only
 Default: 00h

12.21 Power Management Data Register

The power management bridge support extension register provides extended power-management features not applicable to the SD host controller; thus, it is read-only and returns 0 when read.

Bit	7	6	5	4	3	2	1	0
Name	Power management data							
Type	R	R	R	R	R	R	R	R
Default	0	0	0	0	0	0	0	0

Register: **Power management data**
 Offset: 87h
 Type: Read-only
 Default: 00h

12.22 General Control Register

The general control register provides miscellaneous PCI-related configuration. See Table 12–15 for a complete description of the register contents.

Bit	7	6	5	4	3	2	1	0
Name	General control							
Type	R	RW	RW	RW	RW	RW	RW	RW
Default	0	0	0	0	0	0	0	0

Register: **General control**
 Offset: 88h
 Type: Read/Write, Read-only
 Default: 00h

Table 12–15. General Control Register

BIT	FIELD NAME	TYPE	DESCRIPTION
7	RSVD	R	Reserved. Bit 7 returns 0 when read.
6–5 ‡	INT_SEL	RW	Interrupt select. These bits are program the INTPIN register and set which interrupt output is used. This field is ignored if one of the USE_INTx terminals is asserted. 00 = $\overline{\text{INTA}}$ 01 = $\overline{\text{INTB}}$ 10 = $\overline{\text{INTC}}$ 11 = $\overline{\text{INTD}}$
4 ‡	D3_COLD	RW	D3 _{cold} $\overline{\text{PME}}$ support. This bit sets and clears the D3 _{cold} $\overline{\text{PME}}$ support bit in the power management capabilities register.
3–1	RSVD	R	Reserved. Bits 3–1 return 0s when read.
0 ‡	DMA_EN	RW	DMA enable. This bit enables DMA functionality of the SD host controller core. When this bit is set, the PGMIF field in the class code register returns 01h and the DMA_SUPPORT bit in the capabilities register of each SD host socket is set. When this bit is 0, the PGMIF field returns 00h and the DMA_SUPPORT bit of each SD host socket is 0.

‡ One or more bits in this register are cleared only by the assertion of $\overline{\text{GRST}}$.

12.23 Subsystem Access Register

The contents of the subsystem access register are aliased to the subsystem vendor ID and subsystem ID registers at PCI offsets 2Ch and 2Eh, respectively. See Table 12–16 for a complete description of the register contents.

Bit	31	30	29	28	27	26	25	24	23	22	21	20	19	18	17	16
Name	Subsystem access															
Type	RW	RW	RW	RW	RW	RW	RW	RW	RW	RW	RW	RW	RW	RW	RW	RW
Default	0	0	0	0	0	0	0	0	0	0	0	0	0	0	0	0
Bit	15	14	13	12	11	10	9	8	7	6	5	4	3	2	1	0
Name	Subsystem access															
Type	RW	RW	RW	RW	RW	RW	RW	RW	RW	RW	RW	RW	RW	RW	RW	RW
Default	0	0	0	0	0	0	0	0	0	0	0	0	0	0	0	0

Register: **Subsystem access**
 Offset: 8Ch
 Type: Read/Write
 Default: 0000 0000h

Table 12–16. Subsystem Access Register Description

BIT	FIELD NAME	TYPE	DESCRIPTION
31–16	SubsystemID	RW	Subsystem device ID. The value written to this field is aliased to the subsystem ID register at PCI offset 2Eh.
15–0	SubsystemVendorID	RW	Subsystem vendor ID. The value written to this field is aliased to the subsystem vendor ID register at PCI offset 2Ch.

12.24 Diagnostic Register

This register enables the diagnostic modes. See Table 12–17 for a complete description of the register contents. All bits in this register are reset by GRST only.

Bit	31	30	29	28	27	26	25	24	23	22	21	20	19	18	17	16
Name	Diagnostic															
Type	R	R	R	R	R	R	R	R	R	R	R	R	R	R	R	RW
Default	0	0	0	0	0	0	0	0	0	0	0	0	0	0	0	0
Bit	15	14	13	12	11	10	9	8	7	6	5	4	3	2	1	0
Name	Diagnostic															
Type	R	R	R	R	R	R	R	R	R	R	R	R	R	R	R	R
Default	0	0	0	0	0	0	0	0	0	0	0	0	0	0	0	0

Register: **Diagnostic**
 Type: Read-only, Read/Write
 Offset: 90h
 Default: 0000 0000h

Table 12–17. Diagnostic Register Description

BIT	SIGNAL	TYPE	FUNCTION
31–17	RSVD	R	Reserved. Bits 31–17 return 0s when read.
16	DIAGNOSTIC	RW	Diagnostic test bit. This test bit shortens the card detect debounce times for simulation and TDL.
15–0	RSVD	R	Reserved. Bits 15–0 return 0s when read.

12.25 Slot 0 3.3-V Maximum Current Register

This register is a read/write register and the contents of this register are aliased to the 3_3_MAX_CURRENT field in the slot 0 maximum current capabilities register at offset 48h in the SD host standard registers. This register is a GRST only register.

Bit	7	6	5	4	3	2	1	0
Name	Slot 0 3.3-V maximum current							
Type	RW	RW	RW	RW	RW	RW	RW	RW
Default	0	0	0	0	0	0	0	0

Register: **Slot 3.3-V maximum current**
Type: Read/Write
Offset: 94h
Default: 0000h

12.26 Slot 1 3.3-V Maximum Current Register

This register is a read/write register and the contents of this register are aliased to the 3_3_MAX_CURRENT field in the slot 1 maximum current capabilities register at offset 48h in the SD host standard registers. This register is a GRST only register. If slot 1 is not implemented, this register is read-only and returns 0s when read.

Bit	7	6	5	4	3	2	1	0
Name	Slot 1 3.3-V maximum current							
Type	RW	RW	RW	RW	RW	RW	RW	RW
Default	0	0	0	0	0	0	0	0

Register: **Slot 1 3.3-V maximum current**
Type: Read/Write
Offset: 98h
Default: 0000h

12.27 Slot 2 3.3-V Maximum Current Register

This register is a read/write register and the contents of this register are aliased to the 3_3_MAX_CURRENT field in the slot 2 maximum current capabilities register at offset 48h in the SD host standard registers. This register is a GRST only register. If slot 2 is not implemented, this register is read-only and returns 0s when read.

Bit	7	6	5	4	3	2	1	0
Name	Slot 2 3.3-V maximum current							
Type	RW	RW	RW	RW	RW	RW	RW	RW
Default	0	0	0	0	0	0	0	0

Register: **Slot 2 3.3-V maximum current**
Type: Read/Write
Offset: 9Ch
Default: 0000h

12.28 Slot 3 3.3-V Maximum Current Register

This register is a read/write register and the contents of this register are aliased to the 3_3_MAX_CURRENT field in the slot 3 maximum current capabilities register at offset 48h in the SD host standard registers. This register is a GRST only register. If slot 3 is not implemented, this register is read-only and returns 0s when read.

Bit	7	6	5	4	3	2	1	0
Name	Slot 3 3.3-V maximum current							
Type	RW	RW	RW	RW	RW	RW	RW	RW
Default	0	0	0	0	0	0	0	0

Register: **Slot 3 3.3-V maximum current**
Type: Read/Write
Offset: A0h
Default: 0000h

12.29 Slot 4 3.3-V Maximum Current Register

This register is a read/write register and the contents of this register are aliased to the 3_3_MAX_CURRENT field in the slot 4 maximum current capabilities register at offset 48h in the SD host standard registers. This register is a GRST only register. If slot 4 is not implemented, this register is read-only and returns 0s when read.

Bit	7	6	5	4	3	2	1	0
Name	Slot 4 3.3-V maximum current							
Type	RW	RW	RW	RW	RW	RW	RW	RW
Default	0	0	0	0	0	0	0	0

Register: **Slot 4 3.3-V maximum current**
Type: Read/Write
Offset: A4h
Default: 0000h

12.30 Slot 5 3.3-V Maximum Current Register

This register is a read/write register and the contents of this register are aliased to the 3_3_MAX_CURRENT field in the slot 5 maximum current capabilities register at offset 48h in the SD host standard registers. This register is a GRST only register. If slot 5 is not implemented, this register is read-only and returns 0s when read.

Bit	7	6	5	4	3	2	1	0
Name	Slot 5 3.3-V maximum current							
Type	RW	RW	RW	RW	RW	RW	RW	RW
Default	0	0	0	0	0	0	0	0

Register: **Slot 5 3.3-V maximum current**
Type: Read/Write
Offset: A8h
Default: 0000h

13 Smart Card Controller Programming Model

This section describes the internal PCI configuration registers used to program the PCI7x21/PCI7x11 Smart Card controller interface. All registers are detailed in the same format: a brief description for each register is followed by the register offset and a bit table describing the reset state for each register.

A bit description table, typically included when the register contains bits of more than one type or purpose, indicates bit field names, a detailed field description, and field access tags which appear in the *type* column. Table 4–1 describes the field access tags.

The PCI7x21/PCI7x11 controller is a multifunction PCI device. The Smart Card controller core is integrated as PCI function 5. The function 5 configuration header is compliant with the *PCI Local Bus Specification* as a standard header. Table 13–1 illustrates the configuration header that includes both the predefined portion of the configuration space and the user-definable registers.

Table 13–1. Function 5 Configuration Register Map

REGISTER NAME				OFFSET
Device ID		Vendor ID		00h
Status		Command		04h
Class code			Revision ID	08h
BIST	Header type	Latency timer	Cache line size	0Ch
SC global control base address				10h
SC socket 0 base address				14h
SC socket 1 base address				18h
Reserved				1Ch–28h
Subsystem ID ‡		Subsystem vendor ID ‡		2Ch
Reserved				30h
Reserved			PCI power management capabilities pointer	34h
Reserved				38h
Maximum latency	Minimum grant	Interrupt pin	Interrupt line	3Ch
Reserved				40h
Power management capabilities		Next item pointer	Capability ID	44h
PM data (Reserved)	PMCSR_BSE	Power management control and status ‡		48h
Reserved		General control ‡		4Ch
Subsystem alias				50h
Class code alias				54h
Smart Card configuration 1				58h
Smart Card configuration 2				5Ch
Reserved				60h–FCh

‡ One or more bits in this register are cleared only by the assertion of GRST.

13.1 Vendor ID Register

The vendor ID register contains a value allocated by the PCI SIG and identifies the manufacturer of the PCI device. The vendor ID assigned to Texas Instruments is 104Ch.

Bit	15	14	13	12	11	10	9	8	7	6	5	4	3	2	1	0
Name	Vendor ID															
Type	R	R	R	R	R	R	R	R	R	R	R	R	R	R	R	R
Default	0	0	0	1	0	0	0	0	0	1	0	0	1	1	0	0

Register: **Vendor ID**
 Offset: 00h
 Type: Read-only
 Default: 104Ch

13.2 Device ID Register

The device ID register contains a value assigned to the Smart Card controller by Texas Instruments. The device identification for the Smart Card controller is 8035h.

Bit	15	14	13	12	11	10	9	8	7	6	5	4	3	2	1	0
Name	Device ID															
Type	R	R	R	R	R	R	R	R	R	R	R	R	R	R	R	R
Default	1	0	0	0	0	0	0	0	0	0	1	1	0	1	0	1

Register: **Device ID**
 Offset: 02h
 Type: Read-only
 Default: 8035h

13.3 Command Register

The command register provides control over the Smart Card controller interface to the PCI bus. All bit functions adhere to the definitions in the *PCI Local Bus Specification*, as seen in the following bit descriptions. The SERR_EN and PERR_EN enable bits in this register are internally wired-OR between other functions, and these control bits appear separately according to their software function. See Table 13–2 for a complete description of the register contents.

Bit	15	14	13	12	11	10	9	8	7	6	5	4	3	2	1	0
Name	Command															
Type	R	R	R	R	R	RW	R	RW	R	RW	R	R	R	R	RW	R
Default	0	0	0	0	0	0	0	0	0	0	0	0	0	0	0	0

Register: **Command**
 Offset: 04h
 Type: Read/Write, Read-only
 Default: 0000h

Table 13–2. Command Register Description

BIT	FIELD NAME	TYPE	DESCRIPTION
15–11	RSVD	R	Reserved. Bits 15–11 return 0s when read.
10	INT_DIS	RW	$\overline{\text{INTx}}$ disable. When set to 1, this bit disables the function from asserting interrupts on the $\overline{\text{INTx}}$ signals. 0 = $\overline{\text{INTx}}$ assertion is enabled (default) 1 = $\overline{\text{INTx}}$ assertion is disabled
9	FBB_EN	R	Fast back-to-back enable. The Smart Card interface does not generate fast back-to-back transactions; therefore, bit 9 returns 0 when read.
8	SER_EN	RW	System error ($\overline{\text{SERR}}$) enable. Bit 8 controls the enable for the $\overline{\text{SERR}}$ driver on the PCI interface. $\overline{\text{SERR}}$ can be asserted after detecting an address parity error on the PCI bus. Both bits 8 and 6 (PERR_EN) must be set for this function to report address parity errors. 0 = Disable $\overline{\text{SERR}}$ output driver (default) 1 = Enable $\overline{\text{SERR}}$ output driver
7	RSVD	R	Reserved. Bit 7 returns 0 when read.
6	PERR_EN	RW	Parity error response enable. Bit 6 controls this function response to parity errors through $\overline{\text{PERR}}$. Data parity errors are indicated by asserting $\overline{\text{PERR}}$, whereas address parity errors are indicated by asserting $\overline{\text{SERR}}$. 0 = This function ignores detected parity error (default) 1 = This function responds to detected parity errors
5	VGA_EN	R	VGA palette snoop enable. The Smart Card interface does not feature VGA palette snooping; therefore, bit 5 returns 0 when read.
4	MWI_EN	R	Memory write and invalidate enable. The Smart Card controller does not generate memory write invalidate transactions; therefore, bit 4 returns 0 when read.
3	SPECIAL	R	Special cycle enable. The Smart Card interface does not respond to special cycle transactions; therefore, bit 3 returns 0 when read.
2	MAST_EN	R	Bus master enable. This function is target only.
1	MEM_EN	RW	Memory space enable. This bit controls memory access. 0 = Disables this function from responding to memory space accesses (default) 1 = Enables this function to respond to memory space accesses
0	IO_EN	R	I/O space enable. The Smart Card interface does not implement any I/O-mapped functionality; therefore, bit 0 returns 0 when read.

13.4 Status Register

The status register provides device information to the host system. All bit functions adhere to the definitions in the *PCI Local Bus Specification*, as seen in the following bit descriptions. Bits in this register may be read normally. A bit in the status register is reset when a 1 is written to that bit location; a 0 written to a bit location has no effect. See Table 13–3 for a complete description of the register contents.

Bit	15	14	13	12	11	10	9	8	7	6	5	4	3	2	1	0
Name	Status															
Type	RCU	RCU	R	R	RCU	R	R	R	R	R	R	R	RU	R	R	R
Default	0	0	0	0	0	0	1	0	0	0	0	1	0	0	0	0

Register: **Status**
 Offset: 06h
 Type: Read/Clear/Update, Read-only
 Default: 0210h

Table 13–3. Status Register Description

BIT	FIELD NAME	TYPE	DESCRIPTION
15	PAR_ERR	RCU	Detected parity error. Bit 15 is set to 1 when either an address parity or data parity error is detected.
14	SYS_ERR	RCU	Signaled system error. Bit 14 is set to 1 when \overline{SERR} is enabled and the Smart Card controller has signaled a system error to the host.
13	MABORT	R	This function does not support bus mastering. This bit is hardwired to 0.
12	TABT_REC	R	This function does not support bus mastering and never receives a target abort. This bit is hardwired to 0.
11	TABT_SIG	RCU	Signaled target abort. Bit 11 is set to 1 by the Smart Card controller when it terminates a transaction on the PCI bus with a target abort.
10–9	PCI_SPEED	R	DEVSEL timing. Bits 10 and 9 encode the timing of \overline{DEVSEL} and are hardwired to 01b, indicating that the Smart Card controller asserts this signal at a medium speed on nonconfiguration cycle accesses.
8	DATAPAR	R	This function does not support bus mastering. This bit is hardwired to 0.
7	FBB_CAP	R	Fast back-to-back capable. The Smart Card controller cannot accept fast back-to-back transactions; therefore, bit 7 is hardwired to 0.
6	RSVD	R	Reserved. Bit 6 returns 0 when read.
5	66MHZ	R	66-MHz capable. The Smart Card controller operates at a maximum PCLK frequency of 33 MHz; therefore, bit 5 is hardwired to 0.
4	CAPLIST	R	Capabilities list. Bit 4 returns 1 when read, indicating that the Smart Card controller supports additional PCI capabilities. The linked list of PCI power-management capabilities is implemented in this function.
3	INT_STAT	RU	Interrupt status. This bit reflects the interrupt status of the function. Only when bit 10 (INT_DISABLE) in the command register (see Section 11.3) is a 0 and this bit is 1, is the function's \overline{INTx} signal asserted. Setting the INT_DISABLE bit to 1 has no effect on the state of this bit. This bit is set only when a valid interrupt condition exists. This bit is not set when an interrupt condition exists and signaling of that event is not enabled.
2–0	RSVD	R	Reserved. Bits 3–0 return 0s when read.

13.5 Class Code and Revision ID Register

The class code and revision ID register categorizes the base class, subclass, and programming interface of the function. The base class is 07h, identifying the controller as a communication device. The subclass is 80h, identifying the function as other mass storage controller, and the programming interface is 00h. Furthermore, the T1 chip revision is indicated in the least significant byte (00h). See Table 13–4 for a complete description of the register contents.

Bit	31	30	29	28	27	26	25	24	23	22	21	20	19	18	17	16
Name	Class code and revision ID															
Type	RU	RU	RU	RU	RU	RU	RU	RU	RU	RU	RU	RU	RU	RU	RU	RU
Default	0	0	0	0	0	1	1	1	1	0	0	0	0	0	0	0
Bit	15	14	13	12	11	10	9	8	7	6	5	4	3	2	1	0
Name	Class code and revision ID															
Type	RU	RU	RU	RU	RU	RU	RU	RU	RU	RU	RU	RU	RU	RU	RU	RU
Default	0	0	0	0	0	0	0	0	0	0	0	0	0	0	0	0

Register: **Class code and revision ID**
 Offset: 08h
 Type: Read-only
 Default: 0780 0000h

Table 13–4. Class Code and Revision ID Register Description

BIT	FIELD NAME	TYPE	DESCRIPTION
31–24	BASECLASS	R	Base class. This field returns 07h when read, which classifies the function as a communication device.
23–16	SUBCLASS	R	Subclass. This field returns 80h when read, which specifically classifies the function as other mass storage controller.
15–8	PGMIF	R	Programming interface. This field returns 00h when read.
7–0	CHIPREV	R	Silicon revision. This field returns 00h when read, which indicates the silicon revision of the Smart Card controller.

13.6 Latency Timer and Class Cache Line Size Register

The latency timer and class cache line size register is programmed by host BIOS to indicate system cache line size and the latency timer associated with the Smart Card controller. See Table 13–5 for a complete description of the register contents.

Bit	15	14	13	12	11	10	9	8	7	6	5	4	3	2	1	0
Name	Latency timer and class cache line size															
Type	RW	RW	RW	RW	RW	RW	RW	RW	RW	RW	RW	RW	RW	RW	RW	RW
Default	0	0	0	0	0	0	0	0	0	0	0	0	0	0	0	0

Register: **Latency timer and class cache line size**
 Offset: 0Ch
 Type: Read/Write
 Default: 0000h

Table 13–5. Latency Timer and Class Cache Line Size Register Description

BIT	FIELD NAME	TYPE	DESCRIPTION
15–8	LATENCY_TIMER	RW	PCI latency timer. The value in this register specifies the latency timer for the Smart Card controller, in units of PCI clock cycles. When the Smart Card controller is a PCI bus initiator and asserts FRAME, the latency timer begins counting from zero. If the latency timer expires before the Smart Card transaction has terminated, then the Smart Card controller terminates the transaction when its $\overline{\text{GNT}}$ is deasserted.
7–0	CACHELINE_SZ	RW	Cache line size. This value is used by the Smart Card controller during memory write and invalidate, memory-read line, and memory-read multiple transactions.

13.7 Header Type and BIST Register

The header type and built-in self-test (BIST) register indicates the Smart Card controller PCI header type and no built-in self-test. See Table 13–6 for a complete description of the register contents.

Bit	15	14	13	12	11	10	9	8	7	6	5	4	3	2	1	0
Name	Header type and BIST															
Type	R	R	R	R	R	R	R	R	R	R	R	R	R	R	R	R
Default	0	0	0	0	0	0	0	0	1	0	0	0	0	0	0	0

Register: **Header type and BIST**
 Offset: 0Eh
 Type: Read-only
 Default: 0080h

Table 13–6. Header Type and BIST Register Description

BIT	FIELD NAME	TYPE	DESCRIPTION
15–8	BIST	R	Built-in self-test. The Smart Card controller does not include a BIST; therefore, this field returns 00h when read.
7–0	HEADER_TYPE	R	PCI header type. The Smart Card controller includes the standard PCI header. Bit 7 indicates if the Smart Card is a multifunction device.

13.8 Smart Card Base Address Register 0

This register is used by this function to determine where to forward a memory transaction to the Smart Card global control register set. Bits 31–12 of this register are read/write and allow the base address to be located anywhere in the 32-bit PCI memory space on 4-Kbyte boundary. The window size is always 4K bytes. Bits 11–0 are read-only and always return 0s. Write transactions to these bits have no effect. Bit 3 (0b) specifies that this window is nonprefetchable. Bits 2–1 (00b) specify that this memory window can allocate anywhere in the 32-bit address space.

Bit	31	30	29	28	27	26	25	24	23	22	21	20	19	18	17	16
Name	Smart Card base address register 0															
Type	RW	RW	RW	RW	RW	RW	RW	RW	RW	RW	RW	RW	RW	RW	RW	RW
Default	0	0	0	0	0	0	0	0	0	0	0	0	0	0	0	0
Bit	15	14	13	12	11	10	9	8	7	6	5	4	3	2	1	0
Name	Smart Card base address register 0															
Type	RW	RW	RW	RW	R	R	R	R	R	R	R	R	R	R	R	R
Default	0	0	0	0	0	0	0	0	0	0	0	0	0	0	0	0

Register: **Smart Card base address register 0**
 Offset: 10h
 Type: Read/Write, Read-only
 Default: 0000 0000h

13.9 Smart Card Base Address Register 1–4

Each socket has its own base address register. For example, a device supports three Smart Card sockets uses three base address registers, BA1 (socket 0), BA2 (socket 1) and BA3 (socket 2).

These registers are used by this function to determine where to forward a memory transaction to the Smart Card Control and Communication Register sets. Bits 31–12 of this register are read/write and allow the base address to be located anywhere in the 32-bit PCI memory space on 4-Kbyte boundaries and the window size is always 4K bytes. Bits 11–4 are read-only and always return 0s. Write transactions to these bits have no effect. Bit 3 (0b) specifies that these windows are nonprefetchable. Bits 2–1 (00b) specify that this memory window can allocate anywhere in the 32-bit address space.

Bit	31	30	29	28	27	26	25	24	23	22	21	20	19	18	17	16
Name	Smart Card base address register 1–4															
Type	RW	RW	RW	RW	RW	RW	RW	RW	RW	RW	RW	RW	RW	RW	RW	RW
Default	0	0	0	0	0	0	0	0	0	0	0	0	0	0	0	0
Bit	15	14	13	12	11	10	9	8	7	6	5	4	3	2	1	0
Name	Smart Card base address register 1–4															
Type	RW	RW	RW	RW	R	R	R	R	R	R	R	R	R	R	R	R
Default	0	0	0	0	0	0	0	0	0	0	0	0	0	0	0	0

Register: **Smart Card base address register 1–4**
 Offset: 14h, 18h, 1Ch, and 20h
 Type: Read/Write, Read-only
 Default: 0000 0000h

13.10 Subsystem Vendor Identification Register

This register is read-update and can be modified through the subsystem vendor ID alias register. Default value is 104Ch. This default value complies with the WLP (Windows Logo Program) requirements without BIOS or EEPROM configuration. All bits in this register are reset by $\overline{\text{GRST}}$ only.

Bit	15	14	13	12	11	10	9	8	7	6	5	4	3	2	1	0
Name	Subsystem vendor identification															
Type	RU	RU	RU	RU	RU	RU	RU	RU	RU	RU	RU	RU	RU	RU	RU	RU
Default	0	0	0	1	0	0	0	0	0	1	0	0	1	1	0	0

Register: **Subsystem vendor identification**
 Offset: 2Ch
 Type: Read/Update
 Default: 104Ch

13.11 Subsystem Identification Register

This register is read-update and can be modified through the subsystem ID alias register. This register has no effect to the functionality. Default value is 8035h. This default value complies with the WLP (Windows Logo Program) requirements without BIOS or EEPROM configuration. All bits in this register are reset by GRST only.

Bit	15	14	13	12	11	10	9	8	7	6	5	4	3	2	1	0
Name	Subsystem identification															
Type	RU	RU	RU	RU	RU	RU	RU	RU	RU	RU	RU	RU	RU	RU	RU	RU
Default	1	0	0	0	0	0	0	0	0	0	1	1	0	1	0	1

Register: **Subsystem identification**
 Offset: 2Eh
 Type: Read/Update
 Default: 8035h

13.12 Capabilities Pointer Register

The power management capabilities pointer register provides a pointer into the PCI configuration header where the power-management register block resides. Since the PCI power management registers begin at 44h, this read-only register is hardwired to 44h.

Bit	7	6	5	4	3	2	1	0
Name	Capabilities pointer							
Type	R	R	R	R	R	R	R	R
Default	0	1	0	0	0	1	0	0

Register: **Capabilities pointer**
 Offset: 34h
 Type: Read-only
 Default: 44h

13.13 Interrupt Line Register

The interrupt line register is programmed by the system and indicates to the software which interrupt line the Smart Card interface has assigned to it. The default value of this register is FFh, indicating that an interrupt line has not yet been assigned to the function.

Bit	7	6	5	4	3	2	1	0
Name	Interrupt line							
Type	RW	RW	RW	RW	RW	RW	RW	RW
Default	1	1	1	1	1	1	1	1

Register: **Interrupt line**
 Offset: 3Ch
 Type: Read/Write
 Default: FFh

13.14 Interrupt Pin Register

This register decodes the interrupt select inputs and returns the proper interrupt value based on Table 13–7, indicating that the Smart Card interface uses an interrupt. If one of the USE_INTx terminals is asserted, the interrupt select bits are ignored, and this register returns the interrupt value for the highest priority USE_INTx terminal that is asserted. If bit 28, the tie-all bit (TIEALL), in the system control register (PCI offset 80h, see Section 4.29) is set to 1, then the PCI7x21/PCI7x11 controller asserts the USE_INTA input to the Smart Card controller core. If bit 28 (TIEALL) in the system control register (PCI offset 80h, see Section 4.29) is set to 0, then none of the USE_INTx inputs are asserted and the interrupt for the Smart Card function is selected by the INT_SEL bits in the Smart Card general control register.

Bit	7	6	5	4	3	2	1	0
Name	Interrupt pin							
Type	R	R	R	R	R	R	R	R
Default	0	0	0	0	0	X	X	X

Register: **Interrupt pin**
 Offset: 3Dh
 Type: Read-only
 Default: 0Xh

Table 13–7. PCI Interrupt Pin Register

INT_SEL BITS	USE_INTA	INTPIN
00	0	01h ($\overline{\text{INTA}}$)
01	0	02h ($\overline{\text{INTB}}$)
10	0	03h ($\overline{\text{INTC}}$)
11	0	04h ($\overline{\text{INTD}}$)
XX	1	01h ($\overline{\text{INTA}}$)

13.15 Minimum Grant Register

The minimum grant register contains the minimum grant value for the Smart Card controller core.

Bit	7	6	5	4	3	2	1	0
Name	Minimum grant							
Type	RU	RU	RU	RU	RU	RU	RU	RU
Default	0	0	0	0	0	0	0	0

Register: **Minimum grant**
 Offset: 3Eh
 Type: Read/Update
 Default: 00h

Table 13–8. Minimum Grant Register Description

BIT	FIELD NAME	TYPE	DESCRIPTION
7–0	MIN_GNT	RU	Minimum grant. The contents of this field may be used by host BIOS to assign a latency timer register value to the Smart Card controller. The default for this register indicates that the Smart Card controller may need to sustain burst transfers for nearly 64 μ s and thus request a large value be programmed in bits 15–8 of the PCI7x21/PCI7x11 latency timer and class cache line size register at offset 0Ch in the PCI configuration space (see Section 13.6).

13.16 Maximum Latency Register

The maximum latency register contains the maximum latency value for the Smart Card controller core.

Bit	7	6	5	4	3	2	1	0
Name	Maximum latency							
Type	RU	RU	RU	RU	RU	RU	RU	RU
Default	0	0	0	0	0	0	0	0

Register: **Maximum latency**
 Offset: 3Fh
 Type: Read/Update
 Default: 00h

Table 13–9. Maximum Latency Register Description

BIT	FIELD NAME	TYPE	DESCRIPTION
7–0	MAX_LAT	RU	Maximum latency. The contents of this field may be used by host BIOS to assign an arbitration priority level to the Smart Card controller. The default for this register indicates that the Smart Card controller may need to access the PCI bus as often as every 0.25 μ s; thus, an extremely high priority level is requested. The contents of this field may also be loaded through the serial EEPROM.

13.17 Capability ID and Next Item Pointer Registers

The capability ID and next item pointer register identifies the linked-list capability item and provides a pointer to the next capability item. See Table 13–10 for a complete description of the register contents.

Bit	15	14	13	12	11	10	9	8	7	6	5	4	3	2	1	0
Name	Capability ID and next item pointer															
Type	R	R	R	R	R	R	R	R	R	R	R	R	R	R	R	R
Default	0	0	0	0	0	0	0	0	0	0	0	0	0	0	0	1

Register: **Capability ID and next item pointer**
 Offset: 44h
 Type: Read-only
 Default: 0001h

Table 13–10. Capability ID and Next Item Pointer Registers Description

BIT	FIELD NAME	TYPE	DESCRIPTION
15–8	NEXT_ITEM	R	Next item pointer. The Smart Card controller supports only one additional capability, PCI power management, that is communicated to the system through the extended capabilities list; therefore, this field returns 00h when read.
7–0	CAPABILITY_ID	R	Capability identification. This field returns 01h when read, which is the unique ID assigned by the PCI SIG for PCI power-management capability.

13.18 Power Management Capabilities Register

The power management capabilities register indicates the capabilities of the Smart Card controller related to PCI power management. See Table 13–11 for a complete description of the register contents.

Bit	15	14	13	12	11	10	9	8	7	6	5	4	3	2	1	0
Name	Power management capabilities															
Type	RU	R	R	R	R	R	R	R	R	R	R	R	R	R	R	R
Default	0	1	1	1	1	1	1	0	0	0	0	0	0	0	1	0

Register: **Power management capabilities**

Offset: 46h

Type: Read/Update, Read-only

Default: 7E02h

Table 13–11. Power Management Capabilities Register Description

BIT	FIELD NAME	TYPE	DESCRIPTION
15	PME_D3COLD	RU	$\overline{\text{PME}}$ support from D3 _{cold} . This bit can be set to 1 or cleared to 0 via bit 4 (D3_COLD) in the general control register at offset 4Ch in the PCI configuration space (see Section 13.22). When this bit is set to 1, it indicates that the controller is capable of generating a $\overline{\text{PME}}$ wake event from D3 _{cold} . This bit state is dependent upon the PCI7x21/PCI7x11 V _{AUX} implementation and may be configured by using bit 4 (D3_COLD) in the general control register (see Section 13.22).
14	PME_D3HOT	R	$\overline{\text{PME}}$ support. This 4-bit field indicates the power states from which the Smart Card interface may assert $\overline{\text{PME}}$. This field returns a value of 1111b by default, indicating that $\overline{\text{PME}}$ may be asserted from the D3 _{hot} , D2, D1, and D0 power states.
13	PME_D2	R	
12	PME_D1	R	
11	PME_D0	R	
10	D2_SUPPORT	R	D2 support. Bit 10 is hardwired to 1, indicating that the Smart Card controller supports the D2 power state.
9	D1_SUPPORT	R	D1 support. Bit 9 is hardwired to 1, indicating that the Smart Card controller supports the D1 power state.
8–6	AUX_CURRENT	R	Auxiliary current. This 3-bit field reports the 3.3-V _{AUX} auxiliary current requirements. When bit 15 (PME_D3COLD) is cleared, this field returns 000b; otherwise, it returns 001b. 000b = Self-powered 001b = 55 mA (3.3-V _{AUX} maximum current required)
5	DSI	R	Device-specific initialization. This function requires device-specific initialization.
4	RSVD	R	Reserved. Bit 4 returns 0 when read.
3	PME_CLK	R	$\overline{\text{PME}}$ clock. This bit returns 0 when read, indicating that the PCI clock is not required for the Smart Card controller to generate $\overline{\text{PME}}$.
2–0	PM_VERSION	R	Power-management version. This field returns 010b when read, indicating that the Smart Card controller is compatible with the registers described in the <i>PCI Bus Power Management Interface Specification</i> (Revision 1.1).

13.19 Power Management Control and Status Register

The power management control and status register implements the control and status of the Smart Card controller. This register is not affected by the internally generated reset caused by the transition from the D3_{hot} to D0 state. See Table 13–12 for a complete description of the register contents.

Bit	15	14	13	12	11	10	9	8	7	6	5	4	3	2	1	0
Name	Power management control and status															
Type	RCU	R	R	R	R	R	R	RW	R	R	R	R	R	R	RW	RW
Default	0	0	0	0	0	0	0	0	0	0	0	0	0	0	0	0

Register: **Power management control and status**
 Offset: 48h
 Type: Read/Clear/Update, Read/Write, Read-only
 Default: 0000h

Table 13–12. Power Management Control and Status Register Description

BIT	FIELD NAME	TYPE	DESCRIPTION
15 ‡	PME_STAT	RCU	$\overline{\text{PME}}$ status. This bit is set when the function would normally assert the $\overline{\text{PME}}$ signal independent of the state of PME_EN bit. Writing a 1 to this bit clears it and causes the function to stop asserting a $\overline{\text{PME}}$ (if enabled). Writing a 0 has no effect. This bit is initialized by GRST only when the PME_D3cold bit is 1.
14–9	RSVD	R	Reserved. Bits 14–9 return 0s when read.
8 ‡	PME_EN	RW	$\overline{\text{PME}}$ enable. This bit is initialized by GRST only when PME_D3cold bit is 1.
7–2	RSVD	R	Reserved. Bits 7–2 return 0s when read.
1–0 ‡	DSTATE	RW	Device State: This bit field controls device power management state. Invalid state assignments are ignored. (ex. Current state 10b → writing 01b. This is rejected and stays 10b. See the latest <i>PCI Local Bus Specification</i> .) This bit field is initialized by GRST only when PME_D3cold bit is 1.

‡ One or more bits in this register are cleared only by the assertion of $\overline{\text{GRST}}$.

13.20 Power Management Bridge Support Extension Register

The power management bridge support extension register provides extended power-management features not applicable to the Smart Card controller; thus, it is read-only and returns 0 when read.

Bit	7	6	5	4	3	2	1	0
Name	Power management bridge support extension							
Type	R	R	R	R	R	R	R	R
Default	0	0	0	0	0	0	0	0

Register: **Power management bridge support extension**
 Offset: 4Ah
 Type: Read-only
 Default: 00h

13.21 Power Management Data Register

The power management bridge support extension register provides extended power-management features not applicable to the Smart Card controller; thus, it is read-only and returns 0 when read.

Bit	7	6	5	4	3	2	1	0
Name	Power management data							
Type	R	R	R	R	R	R	R	R
Default	0	0	0	0	0	0	0	0

Register: **Power management data**
 Offset: 4Bh
 Type: Read-only
 Default: 00h

13.22 General Control Register

This register controls this function. Information of this register can be read from the socket configuration register in the Smart Card socket control register set. See Table 13–13 for a complete description of the register contents.

Bit	15	14	13	12	11	10	9	8	7	6	5	4	3	2	1	0
Name	General control															
Type	R	R	R	R	R	R	R	R	R	RW	RW	RW	R	R	R	R
Default	0	0	0	0	0	0	0	0	0	0	0	0	0	0	0	0

Register: **General control**
 Offset: 4Ch
 Type: Read/Write (EEPROM, $\overline{\text{GRST}}$ only)
 Default: 0000h

Table 13–13. General Control Register

BIT	FIELD NAME	TYPE	DESCRIPTION
15–7	RSVD	R	Reserved. Bits 15–7 return 0s when read.
6–5 ‡	INT_SEL	RW	Interrupt select. These bits are program the INTPIN register and set which interrupt output is used. This field is ignored if one of the USE_INTx terminals is asserted. 00 = $\overline{\text{INTA}}$ (pin = 1) 01 = $\overline{\text{INTB}}$ (pin = 2) 10 = $\overline{\text{INTC}}$ (pin = 3) 11 = $\overline{\text{INTD}}$ (pin = 4)
4 ‡	D3_COLD	RW	Disable function. Setting this bit to 1 hides this function. PCI configuration register of this function must be accessible at any time. Clock (PCI and 48 MHz) to the rest of the function blocks must be gated to reduce power consumption.
3–0	RSVD	R	Reserved. Bits 3–0 return 0s when read.

‡ One or more bits in this register are cleared only by the assertion of $\overline{\text{GRST}}$.

13.23 Subsystem ID Alias Register

The contents of the subsystem access register are aliased to the subsystem vendor ID and subsystem ID registers at PCI offsets 2Ch and 2Eh, respectively. See Table 13–14 for a complete description of the register contents.

Bit	31	30	29	28	27	26	25	24	23	22	21	20	19	18	17	16
Name	Subsystem ID alias															
Type	RW	RW	RW	RW	RW	RW	RW	RW	RW	RW	RW	RW	RW	RW	RW	RW
Default	1	0	0	0	0	0	0	0	0	0	1	1	0	1	0	1
Bit	15	14	13	12	11	10	9	8	7	6	5	4	3	2	1	0
Name	Subsystem ID alias															
Type	RW	RW	RW	RW	RW	RW	RW	RW	RW	RW	RW	RW	RW	RW	RW	RW
Default	0	0	0	1	0	0	0	0	0	1	0	0	1	1	0	0

Register: **Subsystem ID alias**
 Offset: 50h
 Type: Read/Write (EEPROM, $\overline{\text{GRST}}$ only)
 Default: 8035 104Ch

Table 13–14. Subsystem ID Alias Register Description

BIT	FIELD NAME	TYPE	DESCRIPTION
31–16	SubsystemID	RW	Subsystem device ID. The value written to this field is aliased to the subsystem ID register at PCI offset 2Eh.
15–0	SubsystemVendorID	RW	Subsystem vendor ID. The value written to this field is aliased to the subsystem vendor ID register at PCI offset 2Ch.

13.24 Class Code Alias Register

This register is alias of the class code. Not like original register, this register is read/write and loadable from EEPROM.

Bit	31	30	29	28	27	26	25	24	23	22	21	20	19	18	17	16
Name	Class code alias															
Type	RW	RW	RW	RW	RW	RW	RW	RW	RW	RW	RW	RW	RW	RW	RW	RW
Default	0	0	0	0	0	1	1	1	1	0	0	0	0	0	0	0
Bit	15	14	13	12	11	10	9	8	7	6	5	4	3	2	1	0
Name	Class code alias															
Type	RW	RW	RW	RW	RW	RW	RW	RW	RW	RW	R	R	R	R	R	R
Default	0	0	0	0	0	0	0	0	0	0	0	0	0	0	0	0

Register: **Class code alias**
 Offset: 54h
 Type: Read-only, Read/Write (EEPROM, $\overline{\text{GRST}}$ only)
 Default: 0780 0000h

13.25 Smart Card Configuration 1 Register

BIOS or EEPROM configure system dependent Smart Card interface information through this register. Information of this register can be read from the Smart Card configuration 1 alias register in the Smart Card global control register set. The software utilizes this information and adjusts the software and firmware behavior if necessary. Corresponding bits are tied to 0 if the socket is not implemented.

Class A and B support are depend on the system and integrated device. Supporting both classes requires method (pins) to control 5.0 V and 3.0 V.

Default value and bit types are depending on the device. When this core is integrated into a device and does not have all four sockets, removed sockets bits must be tied to 0 and changed to read-only bits.

See Table 13–15 for a complete description of the register contents. All bits in this register are reset by $\overline{\text{GRST}}$ only.

Bit	31	30	29	28	27	26	25	24	23	22	21	20	19	18	17	16
Name	Smart Card configuration 1															
Type	RW	RW	RW	RW	R	RW	RW	RW	R	RW	RW	RW	R	RW	RW	RW
Default	0	0	0	0	0	0	1	1	0	1	1	1	0	1	0	0
Bit	15	14	13	12	11	10	9	8	7	6	5	4	3	2	1	0
Name	Smart Card configuration 1															
Type	R	RW	RW	RW	R	R	R	R	R	RW	RW	RW	R	RW	RW	RW
Default	0	0	1	1	0	0	1	1	0	0	0	0	0	1	1	1

Register: **Smart Card configuration 1**
 Offset: 58h
 Type: Read/Write, Read-only (EEPROM, $\overline{\text{GRST}}$ only)
 Default: 0374 3307h

Table 13–15. Smart Card Configuration 1 Register Description

BIT	FIELD NAME	TYPE	DESCRIPTION
31–28	SCRATCH_PAD	RW	Scratch pad
27	CLASS_B_SKT3	R	Socket 3 Class B Smart Card support. Since socket 3 is not implemented in the controller, this bit is a read-only 0.
26	CLASS_B_SKT2	RW	Socket 2 Class B Smart Card support. Since socket 2 is not implemented in the controller, this bit is a read-only 0.
25	CLASS_B_SKT1	RW	Socket 1 Class B Smart Card support. When this bit is set to 1, socket 1 supports Class B Smart Cards.
24	CLASS_B_SKT0	RW	Socket 0 Class B Smart Card support. When this bit is set to 1, socket 0 supports Class B Smart Cards.
23	CLASS_A_SKT3	R	Socket 3 Class A Smart Card support. Since socket 3 is not implemented in the controller, this bit is a read-only 0.
22	CLASS_A_SKT2	RW	Socket 2 Class A Smart Card support. Since socket 2 is not implemented in the controller, this bit is a read-only 0.
21	CLASS_A_SKT1	RW	Socket 1 Class A Smart Card support. When this bit is set to 1, socket 1 supports Class A Smart Cards.
20	CLASS_A_SKT0	RW	Socket 0 Class A Smart Card support. When this bit is set to 1, socket 0 supports Class A Smart Cards.
19	EMVIF_EN_SKT3	R	Socket 3 EMV interface enable. Since socket 3 is not implemented in the controller, this bit is a read-only 0.
18	EMVIF_EN_SKT2	RW	Socket 2 EMV interface enable. Since socket 2 is not implemented in the controller, this bit is a read-only 0.
17	EMVIF_EN_SKT1	RW	Socket 1 EMV interface enable. When this bit is set to 1, the internal EVM interface for socket 1 is enabled.
16	EMVIF_EN_SKT0	RW	Socket 0 EMV interface enable. When this bit is set to 1, the internal EVM interface for socket 0 is enabled.
15	GPIO_EN_SKT3	R	Socket 3 GPIO enable. Since socket 3 is not implemented in the controller, this bit is a read-only 0.
14	GPIO_EN_SKT2	RW	Socket 2 GPIO enable. Since socket 2 is not implemented in the controller, this bit is a read-only 0.
13	GPIO_EN_SKT1	RW	Socket 1 GPIO enable. When this bit is set to 1, the SC_GPIOs for socket 1 are enabled.
12	GPIO_EN_SKT0	RW	Socket 0 GPIO enable. When this bit is set to 1, the SC_GPIOs for socket 0 are enabled.
11	PCMCIA_MODE_SKT3	R	Socket 3 PCMCIA mode. Since socket 3 is not implemented in the controller, this bit is a read-only 0.
10	PCMCIA_MODE_SKT2	R	Socket 2 PCMCIA mode. Since socket 2 is not implemented in the controller, this bit is a read-only 0.
9	PCMCIA_MODE_SKT1	R	Socket 1 PCMCIA mode. Since socket 1 is implemented as a dedicated socket in the controller, this bit returns 1 when read.
8	PCMCIA_MODE_SKT0	R	Socket 0 PCMCIA mode. Since socket 0 is implemented as a dedicated socket in the controller, this bit returns 1 when read.
7	PME_SUPPORT_SKT3	R	Socket 3 PME support. Since socket 3 is not implemented in the controller, this bit is a read-only 0.
6	PME_SUPPORT_SKT2	RW	Socket 2 PME support. Since socket 2 is not implemented in the controller, this bit is a read-only 0.
5	PME_SUPPORT_SKT1	RW	Socket 1 PME support. When this bit is set to 1, socket 1 card insertions cause a PME event.
4	PME_SUPPORT_SKT0	RW	Socket 0 PME support. When this bit is set to 1, socket 0 card insertions cause a PME event.
3	SKT3_EN	R	Socket 3 enable. Since socket 3 is not implemented in the controller, this bit is a read-only 0.
2	SKT2_EN	RW	Socket 2 enable. Since socket 2 is not implemented in the controller, this bit is a read-only 0.
1	SKT1_EN	RW	Socket 1 enable. When this bit is set to 1, socket 1 is enabled.
0	SKT0_EN	RW	Socket 0 enable. When this bit is set to 1, socket 0 is enabled.

13.26 Smart Card Configuration 2 Register

BIOS or EEPROM configure system dependent Smart Card interface information through this register. Information of this register can be read from the Smart Card configuration 2 alias in the Smart Card global control register set. The software utilizes this information and adjusts the software and firmware behavior, if necessary.

See Table 13–16 for a complete description of the register contents. All bits in this register are reset by $\overline{\text{GRST}}$ only.

Bit	31	30	29	28	27	26	25	24	23	22	21	20	19	18	17	16
Name	Smart Card configuration 2															
Type	R	R	R	R	R	R	R	R	R	R	R	R	R	R	R	R
Default	0	0	0	0	0	0	0	0	0	0	0	0	0	0	0	0
Bit	15	14	13	12	11	10	9	8	7	6	5	4	3	2	1	0
Name	Smart Card configuration 2															
Type	RW	RW	RW	RW	RW	RW	RW	RW	RW	RW	RW	RW	RW	RW	RW	RW
Default	0	0	0	0	0	0	0	0	0	0	0	0	0	0	0	0

Register: **Smart Card Configuration 2**
 Offset: 54h
 Type: Read-only, Read/Write (EEPROM, $\overline{\text{GRST}}$ only)
 Default: 0000 0000h

Table 13–16. Smart Card Configuration 2 Register Description

BIT	SIGNAL	TYPE	FUNCTION
31–16	RSVD	R	Reserved. Bits 31–16 return 0s when read.
15–8	PWRUP_DELAY_PCMCIA	R	Power up delay for the PCMCIA socket. This register indicates how long the external power switch takes to apply stable power to the PCMCIA socket in ms. Software must wait before starting operation after power up. This field has no effect for the hardware.
7–0	RSVD	R	Reserved. Bits 7–0 return 0s when read.

14 Electrical Characteristics

14.1 Absolute Maximum Ratings Over Operating Temperature Ranges†

Supply voltage range, VR_PORT	-0.2 V to 2.2 V
AVDD	-0.3 V to 4 V
V _{CC}	-0.3 V to 4 V
VDPLL_15	-0.5 V to 1.836 V
VDPLL_33	-0.3 V to 4 V
V _{CCA}	-0.5 V to 5.5 V
V _{CCB}	-0.5 V to 5.5 V
V _{CCP}	-0.5 V to 5.5 V
SC_VCC_5V	-0.5 V to 5.5 V
Clamping voltage range, V _{CCP} , V _{CCA} , and V _{CCB}	-0.5 V to 6 V
Input voltage range, V _I : PCI, CardBus, PHY, SC, miscellaneous	-0.5 V to V _{CC} + 0.5 V
Output voltage range, V _O : PCI, CardBus, PHY, SC, miscellaneous	-0.5 V to V _{CC} + 0.5 V
Input clamp current, I _{IK} (V _I < 0 or V _I > V _{CC}) (see Note 1)	±20 mA
Output clamp current, I _{OK} (V _O < 0 or V _O > V _{CC}) (see Note 2)	±20 mA
Human Body Model (HBM) ESD performance	1500 V
Operating free-air temperature, T _A	0°C to 70°C
Storage temperature range, T _{stg}	-65°C to 150°C
Virtual junction temperature, T _J	150°C

† Stresses beyond those listed under absolute maximum ratings may cause permanent damage to the device. These are stress ratings only and functional operation of the device at these or any other conditions beyond those indicated under recommended operating conditions is not implied. Exposure to absolute-maximum-rated conditions for extended periods may affect device reliability.

- NOTES:
1. Applies for external input and bidirectional buffers. V_I > V_{CC} does not apply to fail-safe terminals. PCI terminals and miscellaneous terminals are measured with respect to V_{CCP} instead of V_{CC}. PC Card terminals are measured with respect to CardBus V_{CC}. The limit specified applies for a dc condition.
 2. Applies for external output and bidirectional buffers. V_O > V_{CC} does not apply to fail-safe terminals. PCI terminals and miscellaneous terminals are measured with respect to V_{CCP} instead of V_{CC}. PC Card terminals are measured with respect to CardBus V_{CC}. The limit specified applies for a dc condition.

14.2 Recommended Operating Conditions (see Note 3)

		OPERATION	MIN	NOM	MAX	UNIT
VR_PORT	(see Table 2–4 for description)	1.8 V	1.6	1.8	2	V
AVDD		3.3 V	3	3.3	3.6	V
V _{CC}		3.3 V	3	3.3	3.6	V
VDPLL_15		1.5 V	1.35	1.5	1.65	V
VDPLL_33		3.3 V	3	3.3	3.6	V
V _{CCP}	PCI and miscellaneous I/O clamp voltage	3.3 V	3	3.3	3.6	V
		5 V	4.75	5	5.25	
V _{CCA}	PC Card I/O clamp voltage	3.3 V	3	3.3	3.6	V
		5 V	4.75	5	5.25	
V _{CCB}	PC Card I/O clamp voltage	3.3 V	3	3.3	3.6	V
		5 V	4.75	5	5.25	
SC_VCC_5V		5 V	4.75	5	5.25	V

NOTE 3: Unused terminals (input or I/O) must be held high or low to prevent them from floating.

Recommended Operating Conditions (continued)

		OPERATION	MIN	NOM	MAX	UNIT	
V_{IH}^{\dagger}	High-level input voltage	PCI*	3.3 V		$0.5 V_{CCP}$	V	
			5 V		V_{CCP}		
	PC Card	3.3 V CardBus	$0.475 V_{CC(A/B)}$		$V_{CC(A/B)}$		
		3.3 V 16-bit	2		$V_{CC(A/B)}$		
		5 V 16-bit	2.4		$V_{CC(A/B)}$		
	PC(0–2)		$0.7 V_{CC}$		V_{CC}		
	Miscellaneous [‡]		2		V_{CC}		
SC_DATA, SC_FCB, SC_RFU		$0.6 SC_VCC_5V$		SC_VCC_5V			
V_{IL}^{\dagger}	Low-level input voltage	PCI*	3.3 V		$0.3 V_{CCP}$	V	
			5 V		0.8		
	PC Card	3.3 V CardBus	0		$0.325 V_{CC(A/B)}$		
		3.3 V 16-bit	0		0.8		
		5 V 16-bit	0		0.8		
	PC(0–2)		0		$0.2 V_{CC}$		
	Miscellaneous [‡]		0		0.8		
SC_DATA, SC_FCB, SC_RFU		0		0.5			
V_I	Input voltage	PCI*			V_{CCP}	V	
		PC Card			$V_{CC(A/B)}$		
		Miscellaneous [‡]			V_{CC}		
		SC_DATA, SC_FCB, SC_RFU			SC_VCC_5V		
V_{O}^{\S}	Output voltage	PCI*			V_{CC}	V	
		PC Card			V_{CC}		
		Miscellaneous [‡]			V_{CC}		
		SC_CLK, SC_DATA, SC_FCB, SC_RFU, SC_RST			SC_VCC_5V		
t_t	Input transition time (t_r and t_f)	PCI and PC Card			1	ns	
		Miscellaneous [‡]			6		
		SC_DATA, SC_FCB, SC_RFU			1200		
I_O	Output current	TPBIAS outputs			-5.6	1.3	mA
V_{ID}	Differential input voltage	Cable inputs during data reception			118	260	mV
		Cable inputs during arbitration			168	265	
V_{IC}	Common-mode input voltage	TPB cable inputs, source power node			0.4706	2.515	V
		TPB cable inputs, nonsource power node			0.4706	2.015 [¶]	
t_{PU}	Powerup reset time	GRST input			2		ms

[†] Applies to external inputs and bidirectional buffers without hysteresis

[‡] Miscellaneous terminals are A03, B17, C15, C18, E05, E08, F19, H03, J01, J02, J03, J05, J06, J07, L02, L03, L05, M01, M02, M03, N01, N02, N13, P12, P15, R02, R17, T01 (A_CCDx, A_CDx, A_CVSx, A_VSx, B_CCDx, B_CDx, B_CVSx, B_VSx, SD_DAT0, SD_DAT2, SD_DAT3, SD_CMD, SD_CLK, SD_DAT1, SM_CLE, SC_CD, SC_OC, SC_PWR_CTRL, CLK_48, SDA, SCL, DATA, LATCH, TEST0, CNA, SUSPEND, PHY_TEST_MA, and GRST terminals).

[§] Applies to external output buffers

[¶] For a node that does not source power, see Section 4.2.2.2 in IEEE Std 1394a–2000.

These junction temperatures reflect simulation conditions. The customer is responsible for verifying junction temperature.

*MFUNC(0:6) share the same specifications as the PCI terminals.

Recommended Operating Conditions (continued)

		OPERATION	MIN	NOM	MAX	UNIT
Receive input jitter	TPA, TPB cable inputs	S100 operation			±1.08	ns
		S200 operation			±0.5	
		S400 operation			±0.315	
Receive input skew	Between TPA and TPB cable inputs	S100 operation			±0.8	ns
		S200 operation			±0.55	
		S400 operation			±0.5	
T _A	Operating ambient temperature range		0	25	70	°C
T _{J#}	Virtual junction temperature		0	25	115	°C

† Applies to external inputs and bidirectional buffers without hysteresis

‡ Miscellaneous terminals are A03, B17, C15, C18, E05, E08, F19, H03, J01, J02, J03, J05, J06, J07, L02, L03, L05, M01, M02, M03, N01, N02, N13, P12, P15, R02, R17, T01 (A_CCDx, A_CDx, A_CVSx, A_VSx, B_CCDx, B_CDx, B_CVSx, B_VSx, SD_DAT0, SD_DAT2, SD_DAT3, SD_CMD, SD_CLK, SD_DAT1, SM_CLE, SC_CD, SC_OC, SC_PWR_CTRL, CLK_48, SDA, SCL, DATA, LATCH, TEST0, CNA, SUSPEND, PHY_TEST_MA, and GRST terminals).

§ Applies to external output buffers

¶ For a node that does not source power, see Section 4.2.2.2 in IEEE Std 1394a-2000.

These junction temperatures reflect simulation conditions. The customer is responsible for verifying junction temperature.

☆ MFUNC(0:6) share the same specifications as the PCI terminals.

14.3 Electrical Characteristics Over Recommended Operating Conditions (unless otherwise noted)

PARAMETER	TERMINALS	OPERATION	TEST CONDITIONS	MIN	MAX	UNIT
V _{OH} High-level output voltage	PCI	3.3 V	I _{OH} = -0.5 mA	0.9 V _{CC}		V
		5 V	I _{OH} = -2 mA	2.4		
	PC Card	3.3 V CardBus	I _{OH} = -0.15 mA	0.9 V _{CC}		
		3.3 V 16-bit	I _{OH} = -0.15 mA	2.4		
		5 V 16-bit	I _{OH} = -0.15 mA	2.8		
Miscellaneous [§]		I _{OH} = -4 mA	V _{CC} -0.6			
V _{OL} Low-level output voltage	PCI	3.3 V	I _{OL} = 1.5 mA		0.1 V _{CC}	V
		5 V	I _{OL} = 6 mA		0.55	
	PC Card	3.3 V CardBus	I _{OL} = 0.7 mA		0.1 V _{CC}	
		3.3 V 16-bit	I _{OL} = 0.7 mA		0.4	
		5 V 16-bit	I _{OL} = 0.7 mA		0.55	
Miscellaneous [§]		I _{OL} = 4 mA		0.5		
I _{OZ} 3-state output high-impedance	Output terminals	3.6 V	V _O = V _{CC} or GND		±20	μA
I _{OZL} High-impedance, low-level output current	Output terminals	3.6 V	V _I = V _{CC}		-1	μA
		5.25 V	V _I = V _{CC}		-1	
I _{OZH} High-impedance, high-level output current	Output terminals	3.6 V	V _I = V _{CC} [†]		10	μA
		5.25 V	V _I = V _{CC} [†]		25	
I _{IL} Low-level input current	Input terminals	3.6 V	V _I = GND		±20	μA
	I/O terminals	3.6 V	V _I = GND		±20	
I _{IH} High-level input current	PCI	3.6 V	V _I = V _{CC} [‡]		±20	μA
	Others	3.6 V	V _I = V _{CC} [‡]		±20	
	Input terminals	3.6 V	V _I = V _{CC} [‡]		10	
		5.25 V	V _I = V _{CC} [‡]		20	
	I/O terminals	3.6 V	V _I = V _{CC} [‡]		10	
5.25 V		V _I = V _{CC} [‡]		25		

[†] For PCI and miscellaneous terminals, V_I = V_{CCP}. For PC Card terminals, V_I = V_{CC(A/B)}.

[‡] For I/O terminals, input leakage (I_{IL} and I_{IH}) includes I_{OZ} leakage of the disabled output.

[§] Miscellaneous terminals are A03, B17, C15, C18, E05, E08, F19, H03, J01, J02, J03, J05, J06, J07, L02, L03, L05, M01, M02, M03, N01, N02, N13, P12, P15, R02, R17, T01 (A_CCDx, A_CDx, A_CVSx, A_VSx, B_CCDx, B_CDx, B_CVSx, B_VSx, SD_DAT0, SD_DAT2, SD_DAT3, SD_CMD, SD_CLK, SD_DAT1, SM_CLE, SC_CD, SC_OC, SC_PWR_CTRL, CLK_48, SDA, SCL, DATA, LATCH, TEST0, CNA, SUSPEND, PHY_TEST_MA, and GRST terminals).

14.4 Electrical Characteristics Over Recommended Ranges of Operating Conditions (unless otherwise noted)

14.4.1 Device

PARAMETER		TEST CONDITION	MIN	MAX	UNIT
V_{TH}	Power status threshold, CPS input [†]	400-k Ω resistor [†]	4.7	7.5	V
V_O	TPBIAS output voltage	At rated I_O current	1.665	2.015	V
I_I	Input current (PC0–PC2 inputs)	$V_{CC} = 3.6$ V		5	μ A

[†] Measured at cable power side of resistor.

14.4.2 Driver

PARAMETER		TEST CONDITION	MIN	MAX	UNIT
V_{OD}	Differential output voltage	56 Ω , See Figure 14–1	172	265	mV
I_{DIFF}	Driver difference current, TPA+, TPA–, TPB+, TPB–	Drivers enabled, speed signaling off	–1.05 [†]	1.05 [†]	mA
I_{SP200}	Common-mode speed signaling current, TPB+, TPB–	S200 speed signaling enabled	–4.84 [‡]	–2.53 [‡]	mA
I_{SP400}	Common-mode speed signaling current, TPB+, TPB–	S400 speed signaling enabled	–12.4 [‡]	–8.10 [‡]	mA
V_{OFF}	Off state differential voltage	Drivers disabled, See Figure 14–1		20	mV

[†] Limits defined as algebraic sum of TPA+ and TPA– driver currents. Limits also apply to TPB+ and TPB– algebraic sum of driver currents.

[‡] Limits defined as absolute limit of each of TPB+ and TPB– driver currents.

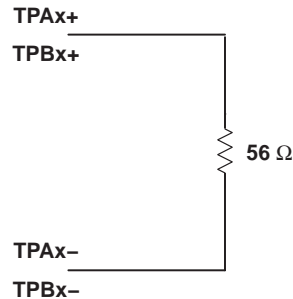


Figure 14–1. Test Load Diagram

14.4.3 Receiver

PARAMETER		TEST CONDITION	MIN	TYP	MAX	UNIT
Z_{ID}	Differential impedance	Drivers disabled	4	7		k Ω
					4	pF
Z_{IC}	Common-mode impedance	Drivers disabled	20			k Ω
					24	pF
V_{TH-R}	Receiver input threshold voltage	Drivers disabled	–30		30	mV
V_{TH-CB}	Cable bias detect threshold, TPBx cable inputs	Drivers disabled	0.6		1.0	V
V_{TH+}	Positive arbitration comparator threshold voltage	Drivers disabled	89		168	mV
V_{TH-}	Negative arbitration comparator threshold voltage	Drivers disabled	–168		–89	mV
$V_{TH-SP200}$	Speed signal threshold	TPBIAS–TPA common mode voltage, drivers disabled	49		131	mV
$V_{TH-SP400}$	Speed signal threshold		314		396	mV

14.5 PCI Clock/Reset Timing Requirements Over Recommended Ranges of Supply Voltage and Operating Free-Air Temperature

PARAMETER		ALTERNATE SYMBOL	TEST CONDITIONS	MIN	MAX	UNIT
t_c	Cycle time, PCLK	t_{cyc}		30		ns
$t_{w(H)}$	Pulse duration (width), PCLK high	t_{high}		11		ns
$t_{w(L)}$	Pulse duration (width), PCLK low	t_{low}		11		ns
t_r, t_f	Slew rate, PCLK	$\Delta v/\Delta t$		1	4	V/ns
t_w	Pulse duration (width), \overline{GRST}	t_{rst}		1		ms
t_{su}	Setup time, PCLK active at end of PRST	$t_{rst-clk}$		100		μs

14.6 Switching Characteristics for PHY Port Interface

PARAMETER		TEST CONDITIONS	MIN	TYP	MAX	UNIT
Jitter, transmit		Between TPA and TPB			± 0.15	ns
Skew, transmit		Between TPA and TPB			± 0.10	ns
t_r	TP differential rise time, transmit	10% to 90%, at 1394 connector	0.5		1.2	ns
t_f	TP differential fall time, transmit	90% to 10%, at 1394 connector	0.5		1.2	ns

14.7 Operating, Timing, and Switching Characteristics of XI

PARAMETER		MIN	TYP	MAX	UNIT
V_{DD}		3.0	3.3	3.6	V (PLL V_{CC})
V_{IH}	High-level input voltage	0.63 V_{CC}			V
V_{IL}	Low-level input voltage	0.33 V_{CC}			V
Input clock frequency		24.576			MHz
Input clock frequency tolerance		<100			PPM
Input slew rate		0.2		4	V/ns
Input clock duty cycle		40%		60%	

14.8 PCI Timing Requirements Over Recommended Ranges of Supply Voltage and Operating Free-Air Temperature

This data manual uses the following conventions to describe time (t) intervals. The format is t_A , where *subscript A* indicates the type of dynamic parameter being represented. One of the following is used: t_{pd} = propagation delay time, t_d (t_{en} , t_{dis}) = delay time, t_{su} = setup time, and t_h = hold time.

PARAMETER		ALTERNATE SYMBOL	TEST CONDITIONS	MIN	MAX	UNIT
t_{pd}	PCLK-to-shared signal valid delay time	t_{val}	$C_L = 50$ pF, See Note 4		11	ns
	PCLK-to-shared signal invalid delay time	t_{inv}		2		
t_{en}	Enable time, high impedance-to-active delay time from PCLK	t_{on}		2		ns
t_{dis}	Disable time, active-to-high impedance delay time from PCLK	t_{off}			28	ns
t_{su}	Setup time before PCLK valid	t_{su}		7		ns
t_h	Hold time after PCLK high	t_h		0		ns

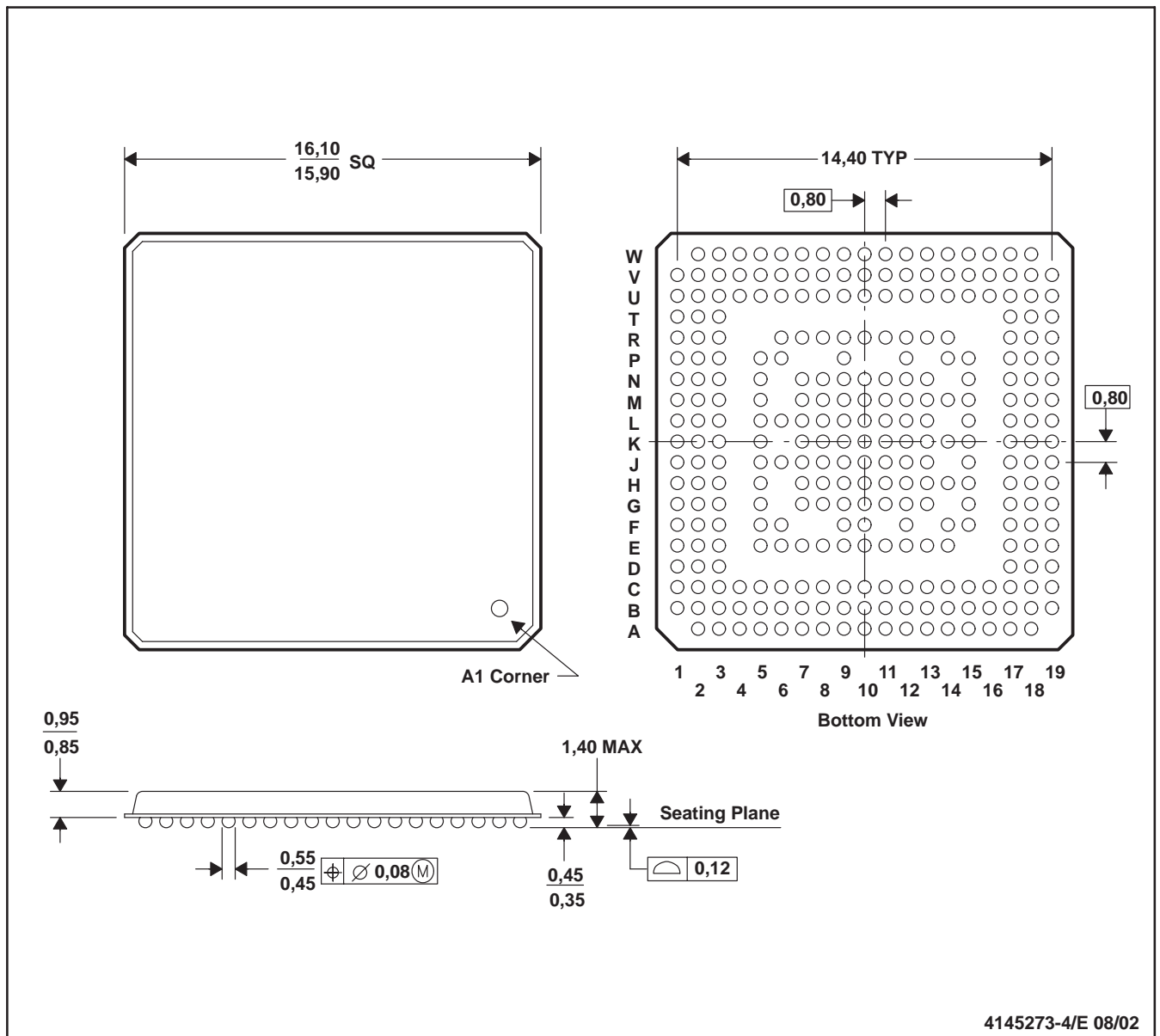
NOTE 4: PCI shared signals are AD31-AD0, C/ $\overline{BE3}$ -C/ $\overline{BE0}$, \overline{FRAME} , \overline{TRDY} , \overline{IRDY} , \overline{STOP} , \overline{IDSEL} , \overline{DEVSEL} , and \overline{PAR} .

15 Mechanical Information

The PCI7x21/PCI7x11 device is available in the 288-terminal MicroStar BGA™ package (GHK) or the 288-terminal lead (Pb atomic number 82) free MicroStar BGA™ package (ZHK). The following figure shows the mechanical dimensions for the GHK package. The GHK and ZHK packages are mechanically identical; therefore, only the GHK mechanical drawing is shown.

GHK (S-PBGA-N288)

PLASTIC BALL GRID ARRAY



- NOTES: B. All linear dimensions are in millimeters.
 C. This drawing is subject to change without notice.
 D. MicroStar BGA™ configuration.

MicroStar BGA is a trademark of Texas Instruments.

